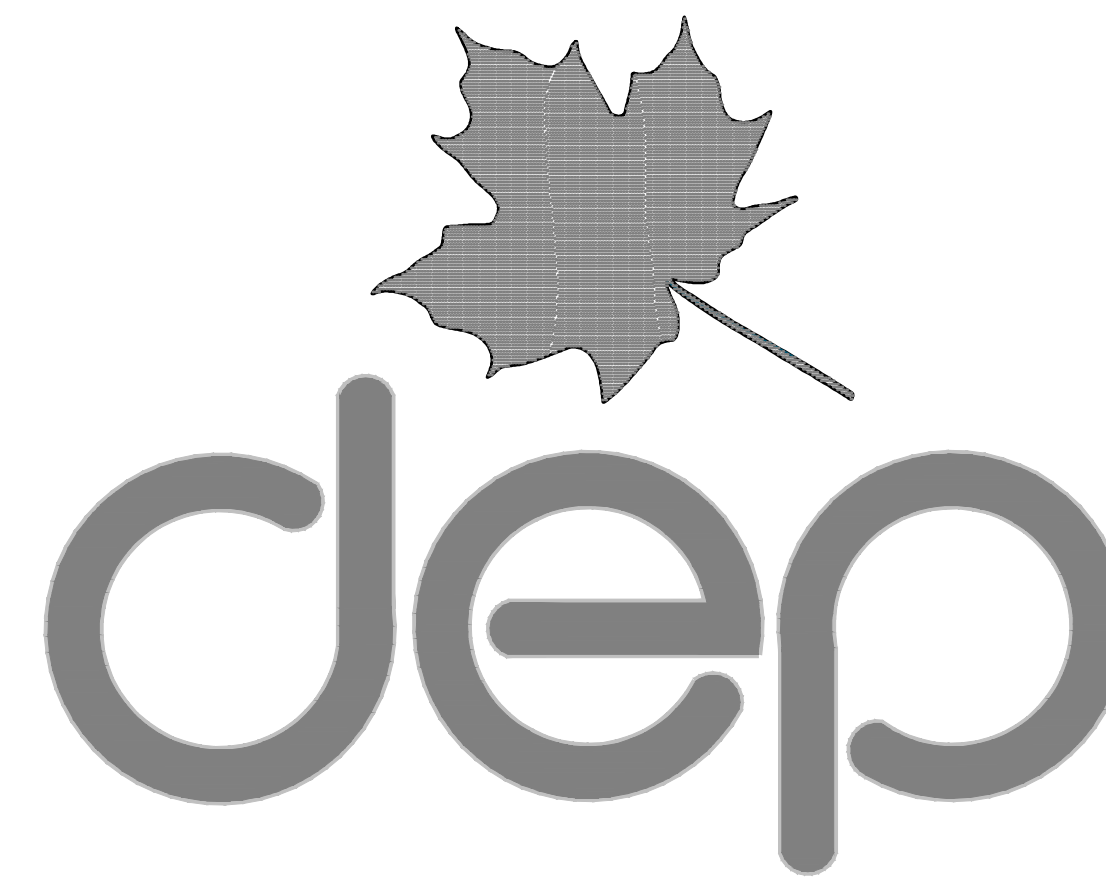


WEST VIRGINIA DEPARTMENT OF ENVIRONMENTAL PROTECTION OFFICE OF ABANDONED MINE LANDS AND RECLAMATION CONLEY BRANCH (WHITT) LANDSLIDE

LOGAN COUNTY, WEST VIRGINIA

Earl Ray Tomblin,
Governor

Randy C. Huffman,
Cabinet Secretary



CONLEY BRANCH (WHITT) LANDSLIDE

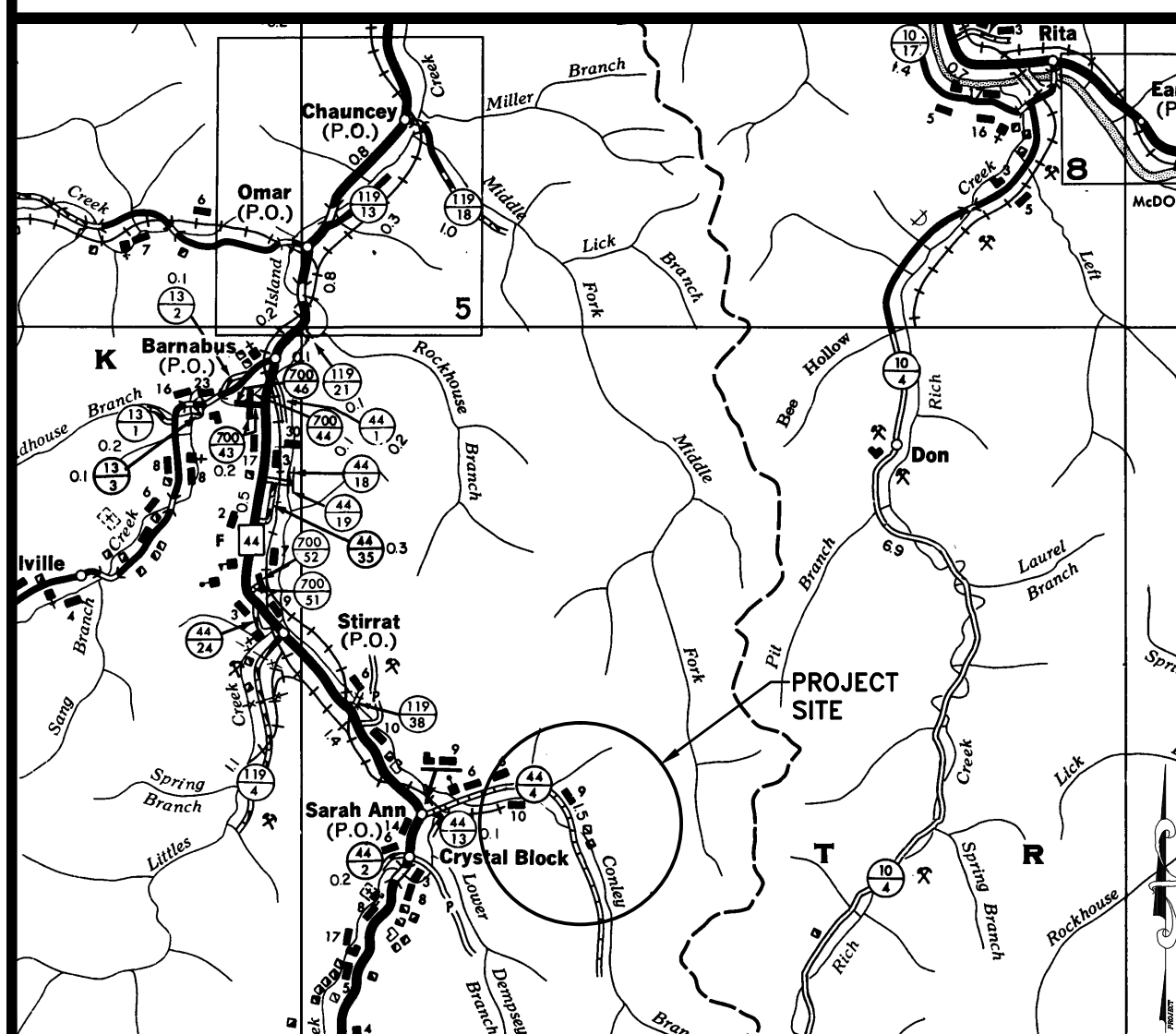
Contractor's Bid Schedule

Company Name: _____

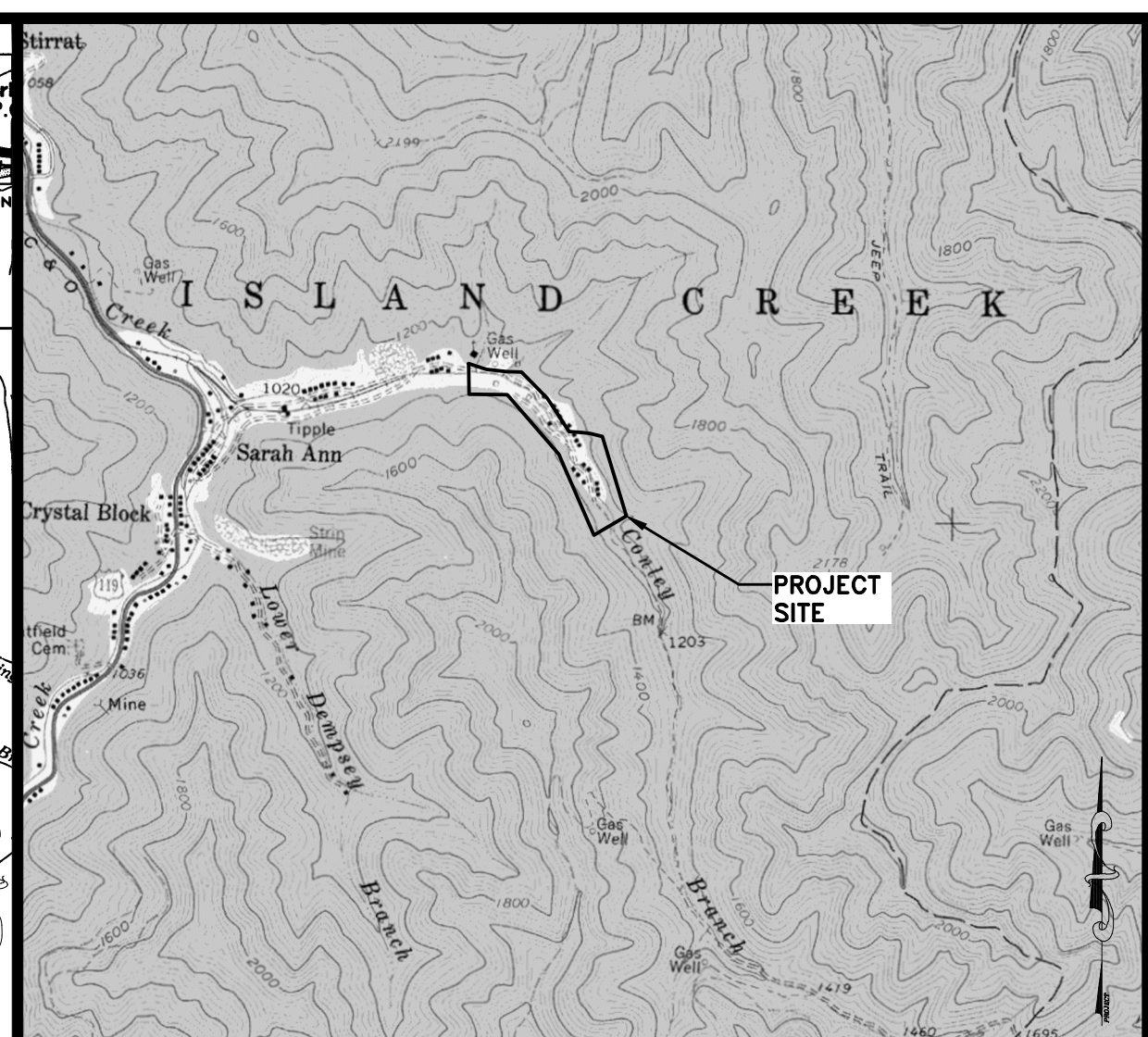
Address: _____

The DEP reserves the right to request additional information and supporting documentation regarding unit prices when the unit price appears to be unreasonable.

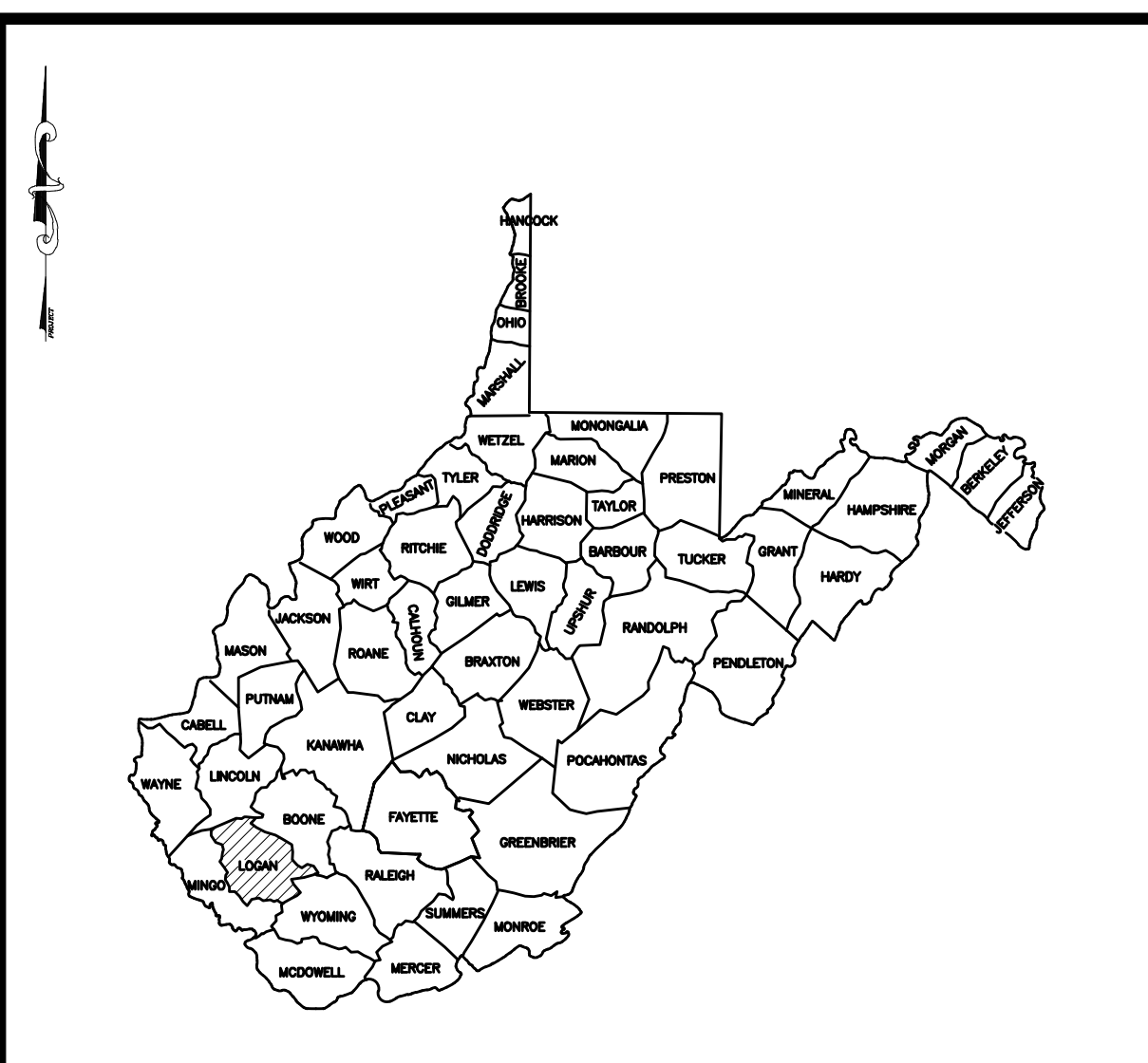
ITEM NO.	QUANTITY	UNIT	DESCRIPTION	UNIT PRICE	AMOUNT
1.0	LS	LS	Mobilization and Demobilization (Limited to 10% of Total Bid)	LS	
2.0	LS	LS	Construction Layout (Limited to 5% of Total Bid)	LS	
3.0	LS	LS	Quality Control (Limited to 3% of Total Bid)	LS	
4.1	LS	LS	Site Preparation (Limited to 10% of Total Bid)	LS	
4.2	160	TN	Access Road Resurfacing		
5.1	4,660	LF	Straw Wattles		
5.2	1,100	LF	Silt Fence		
5.3	1,050	LF	Temporary Pipe Around		
5.4	20	EA	Triangular Silt Dikes		
5.5	4	EA	Temporary Sediment Traps		
5.6	115	SY	Temporary Erosion Control Matting		
5.7	10	EA	Rock Check Dams		
5.8	2	EA	Stabilized Construction Entrance		
6.0	6.8	AC	Revegetation (Per Plan View Acre)		
7.1	1,574	LF	Type 1 Channel		
7.2	692	LF	Type 2 Channel		
7.3	4	EA	Riprap Drive-Through		
7.4	2,525	CY	Riprap Bank Protection		
7.5	LS	LS	Permanent Stream Crossing		
8.1	16,913	CY	Unclassified Excavation		
8.2	90	CY	Muck		
8.3	90	CY	Rock Blanket		
9.1	1	EA	Bar Gate Mine Seal		
9.2	1	EA	Wet Bar Gate Mine Seal		
10.1	55	LF	Underdrain		
10.2	100	LF	6" Diameter PVC Underdrain Conveyance Pipe		
11.0	3.3	AC	Soil Cover (Per Plan View Acre)		
12.0	40	EA	Gabion Retaining Wall (3'x3'x6')		
TOTAL					



VICINITY MAP
WV DIVISION OF HIGHWAYS
LOGAN COUNTY HIGHWAY MAP
SCALE: 1"=1 MILE



LOCATION MAP
U.S.G.S. 7.5' QUADRANGLES
MAN, WEST VIRGINIA
SCALE: 1"= 2000'



WEST VIRGINIA

SHEET INDEX

- SHEET 1 TITLE AND INDEX SHEET
- SHEET C1 RECLAMATION PLAN COMPOSITE
- SHEET E1-E2 EXISTING CONDITIONS
- SHEET R1-R2 RECLAMATION PLAN
- SHEET T1-T2 TAXMAP OVERLAY
- SHEET D1-D5 MISCELLANEOUS DETAILS
- SHEET P1 MINE SEAL, UNDERDRAIN AND CHANNEL PROFILES
- SHEET P2-P4 CHANNEL PROFILES
- SHEET X1-X4 BASELINE "A" CROSS SECTIONS



P.O. Box 519
Nitro, West Virginia 25143
(304) 755-8291 FAX 755-2636

Approved _____

Date _____

SEAL

TERRADON
CORPORATION

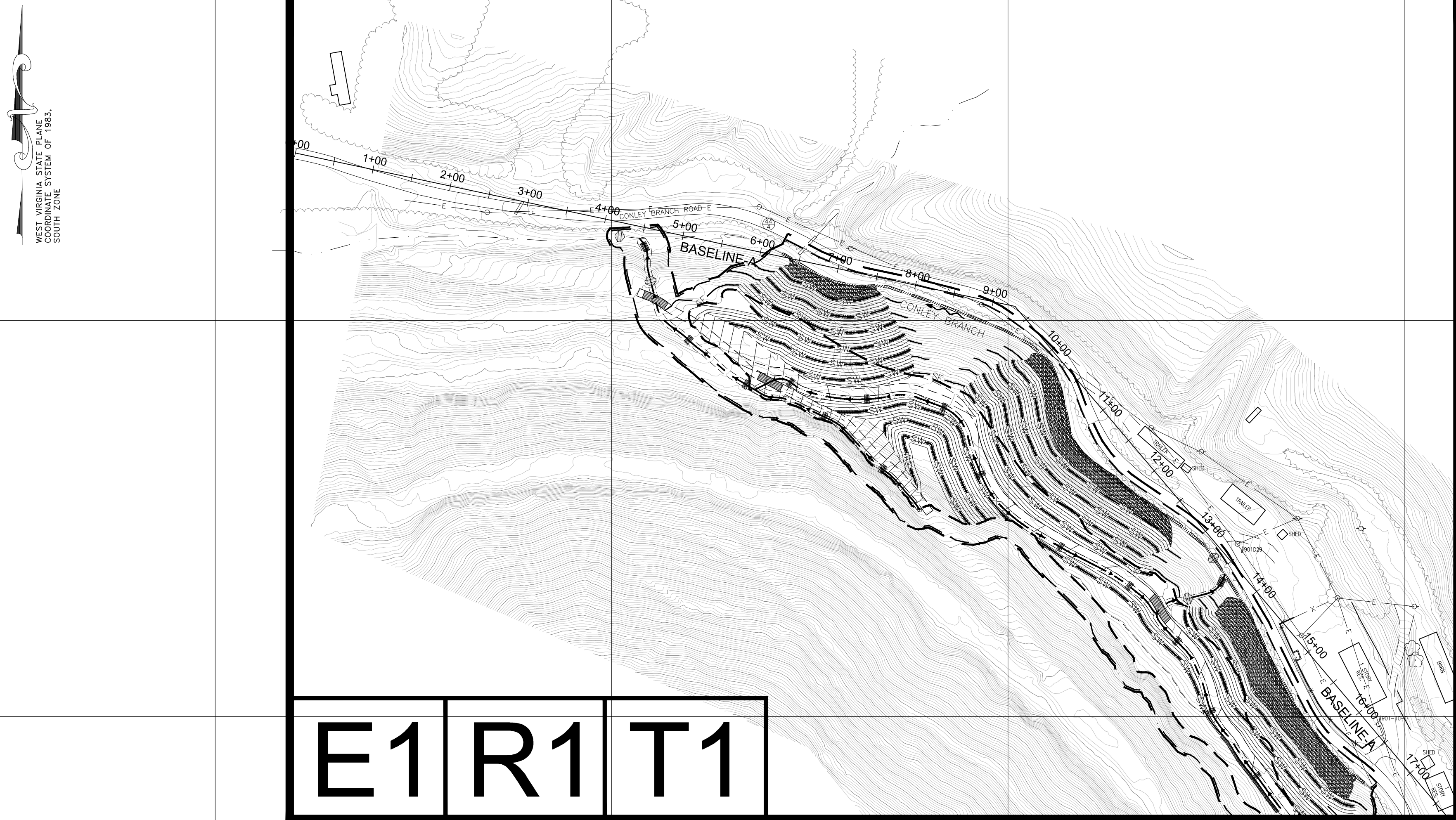
CONLEY BRANCH (WHITT) LANDSLIDE
LOGAN COUNTY, WEST VIRGINIA

TITLE AND INDEX SHEET

*TITLE-SHT
TITLE
CAD File No.
WLG
Drawn
EMP
Checked
WJS
Approved
AS SHOWN
Scale:
4-16-2014
Date:
01-5055-001
Project No.

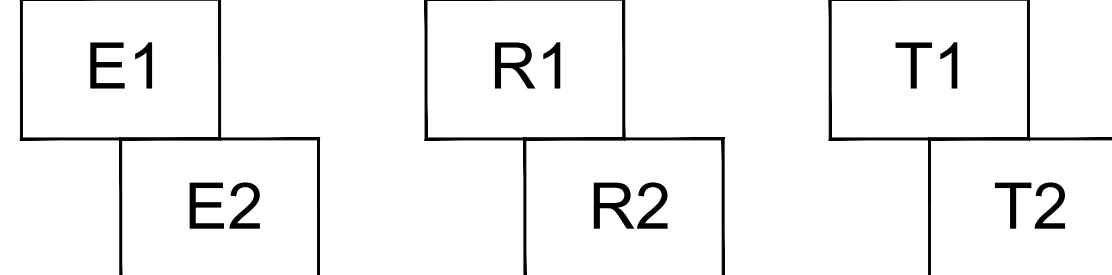
1
Drawing No.

PLOT DATE : 10/15/2014 11:19 AM FILE SAVED BY :BILL.GERENCIOR ON 10/15/2014 11:11 AM P:\2013\01-5055-001 CONLEY BRANCH (WHITT) LANDSLIDE\40-TRANS-AML\DWG\PRODUCTION\SP\01-5055-001-REC-PLAN.DWG



LEGEND			
SYMBOL	DESCRIPTION	SYMBOL	DESCRIPTION
---	EXISTING PAVED ROAD	UE&T	EXISTING UNDERGROUND ELECTRIC/CABLE
---	EXISTING UNPAVED ROAD	WV	EXISTING WATER OR GAS METER
---	EXISTING DRIVEWAY	GV	EXISTING WATER OR GAS VALVE
---	EXISTING BUILDING	---	EXISTING SCATTERED TRASH/DEBRIS
---	EXISTING STREAM/DITCH	---	EXISTING MINE PORTAL
---	EXISTING CULVERT	1670	EXISTING CONTOUR
X - X	EXISTING FENCE LINE	---	EXISTING TREELINE/BRUSHLINE
---	EXISTING UTILITY POLE	S-1	WATER SAMPLE LOCATION
---	EXISTING FIRE HYDRANT	10+00	PROPOSED BASELINE
---	EXISTING LIGHT POLE	SW - SW - SW	PROPOSED STRAW WATTLES
STM - STM	EXISTING STORM SEWER	SF - SF - SF	PROPOSED SILT FENCE
W - W - W	EXISTING WATER LINE	---	PROPOSED TEMPORARY PIPE AROUND
SAN - SAN	EXISTING SANITARY SEWER	UD - UD - UD	PROPOSED UNDERDRAIN
E - E - E	EXISTING OVERHEAD ELECTRIC LINE	5+00	PROPOSED DRAINAGE CHANNEL
G - G - G	EXISTING GAS LINE	---	PROPOSED LIMIT OF CONSTRUCTION
C - C - C	EXISTING OVERHEAD CABLE LINE	---	PROPOSED LIMIT OF DISTURBANCE
T - T - T	EXISTING OVERHEAD TELEPHONE LINE	---	PROPOSED ROCK CHECK DAM
E&C	EXISTING OVERHEAD ELECTRIC/CABLE	---	PROPOSED TRIANGULAR SILT DIKE
E,C&T	EXISTING OVERHEAD ELECTRIC/CABLE/TELEPHONE	---	PROPOSED SEDIMENT TRAP
E&T	EXISTING OVERHEAD ELECTRIC/TELEPHONE	---	STABILIZED CONSTRUCTION ENTRANCE
C&T	EXISTING OVERHEAD CABLE/TELEPHONE		
UE	EXISTING UNDERGROUND ELECTRIC		
UT	EXISTING UNDERGROUND TELEPHONE		
UC	EXISTING UNDERGROUND CABLE		

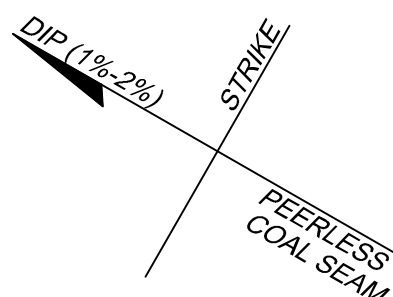
NOTES:
 1. IT IS THE RESPONSIBILITY OF THE CONTRACTOR TO LOCATE ALL UNDERGROUND UTILITIES PRIOR TO CONSTRUCTION.
 2. CONTOUR INTERVAL IS TWO FOOT.
 3. ALL REFUSE WITHIN THE LIMIT OF CONSTRUCTION SHALL RECEIVE 12" OF SOIL COVER AND BE SEEDED.



E1 R1 T1

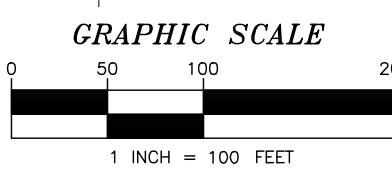


E2 R2 T2



CALL BEFORE YOU DIG,
 DRILL OR BLAST!
 WEST VIRGINIA LAW REQUIRES 48 HOURS NOTICE FOR CONSTRUCTION PHASE AND 10 DAYS IN DESIGN STAGE
 MISS UTILITY OF WEST VIRGINIA, INC.
 1-800-245-4848

MAPPING REFERENCE:
 BASE MAPPING FOR THIS DRAWING WAS PREPARED BY MEAD & HUNT, 400 TRACY WAY, SUITE 200 CHARLESTON, WV 25311. 304-345-6712
 FOR A COPY OF THE ORIGINAL SURVEY PLEASE CONTACT CARL J. BOWYER.



NO.	DATE	REVISION

TERRADON CORPORATION
 Engineering - Surveying - Landscape Architecture
 P.O. Box 519
 Nitro, West Virginia 25143
 (304) 755-8291 FAX 755-2836
 www.terradon.com

WEST VIRGINIA DEPARTMENT OF ENVIRONMENTAL PROTECTION
 OFFICE OF ABANDONED MINE LANDS AND RECLAMATION
 RECLAMATION PLAN COMPOSITE
 CONLEY BRANCH (WHITT) LANDSLIDE
 LOGAN COUNTY, WEST VIRGINIA

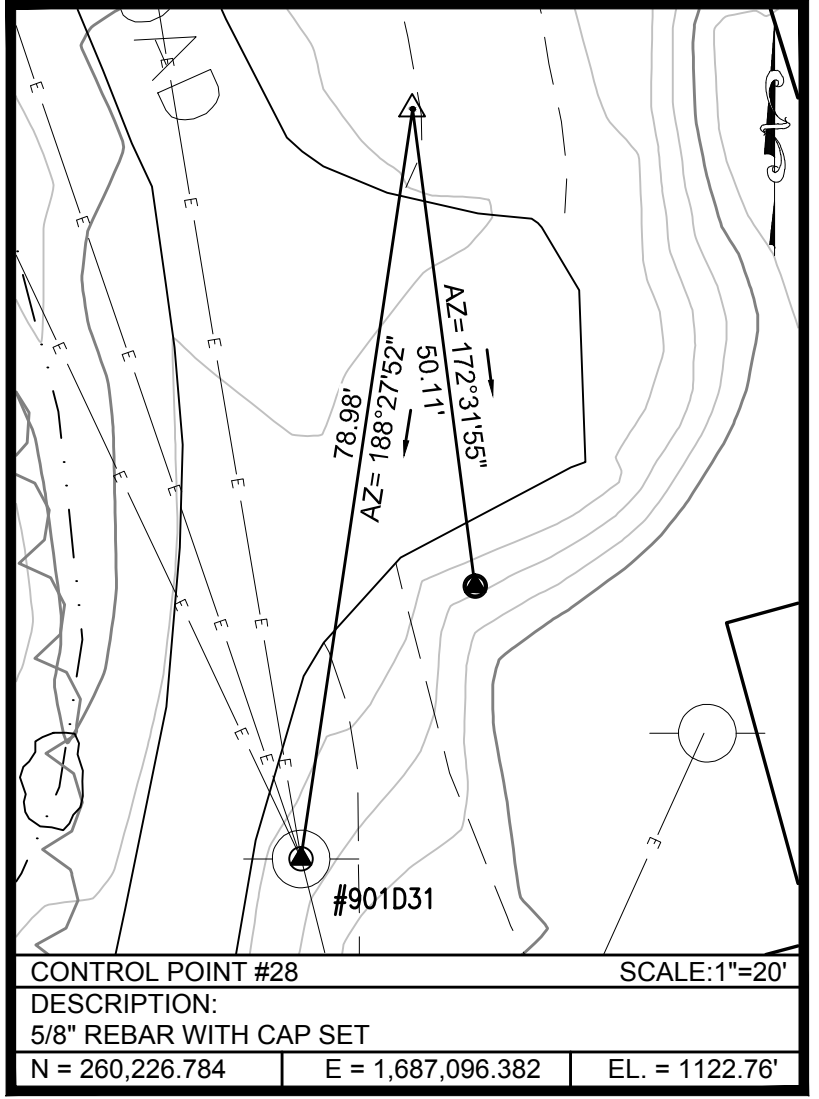
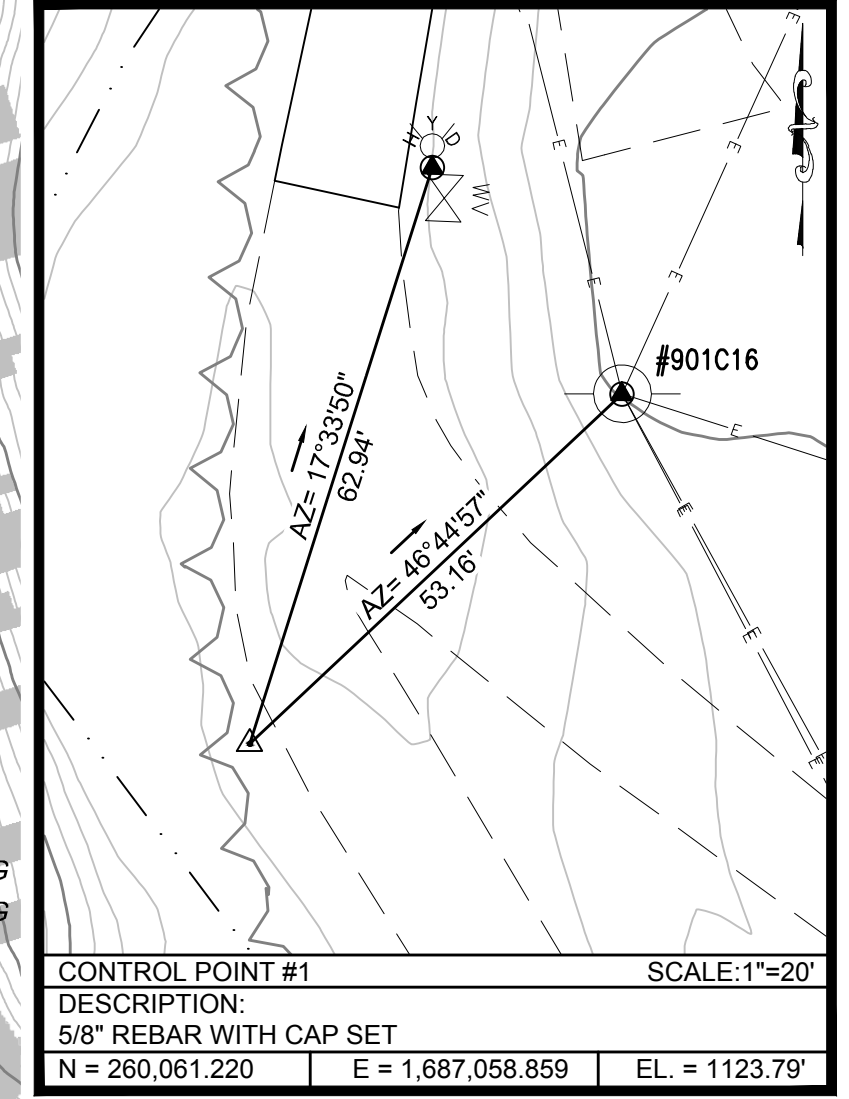
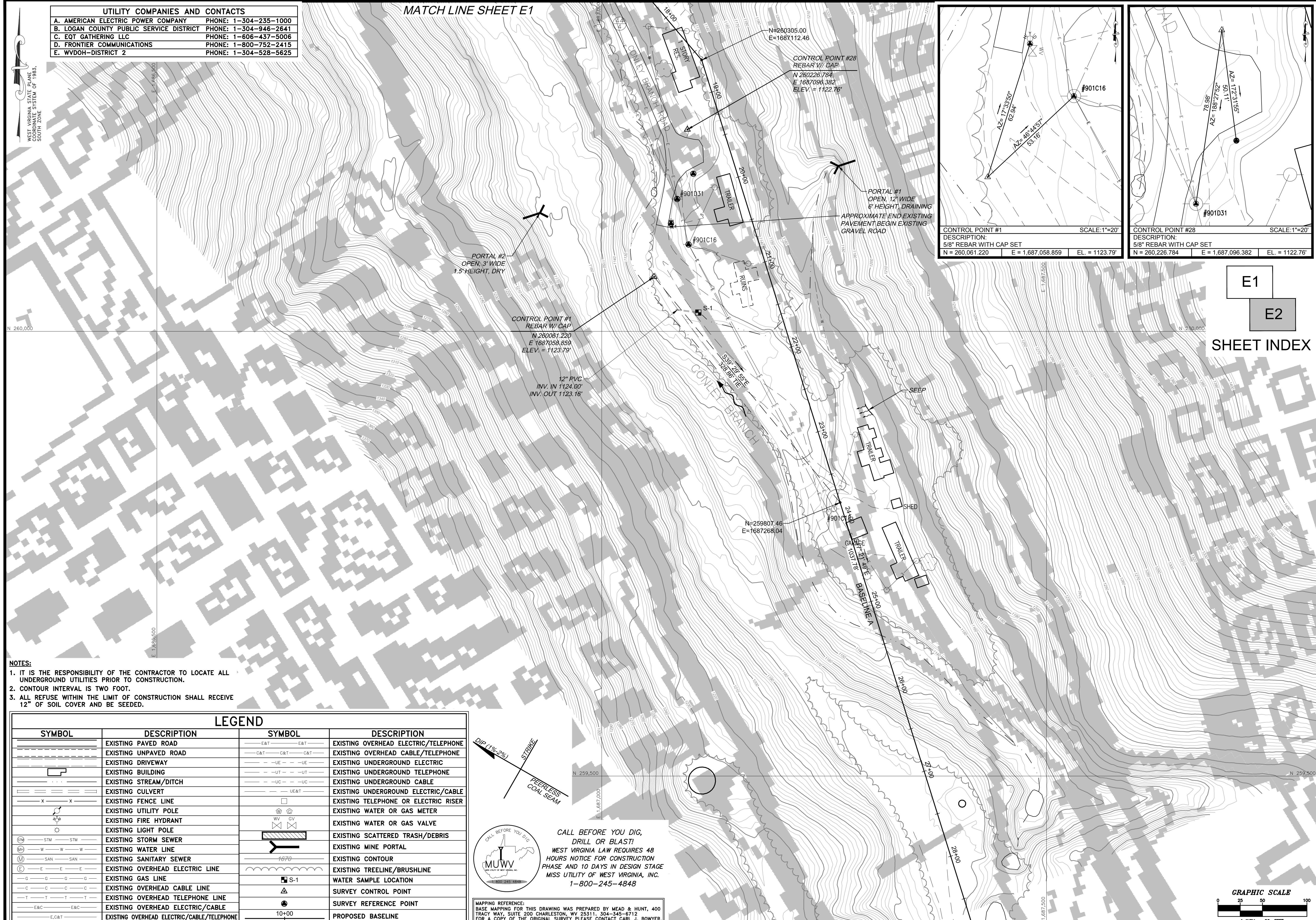
Project No. 01-5055-001
 Drawn: WLG
 Checked: EMP
 Approved: WJS
 Scale: 1"=100'
 Date: 4-16-2014
 CAD File # *-REC-PLAN

C1

PLOT DATE : 10/15/2014 11:24 AM FILE SAVED BY :BILL.GERENCIOR ON 10/15/2014 11:21 AM P:\2013\01-5055-001 CONLEY BRANCH (WHITT) LANDSLIDE\40-TRANS-AML\DWG\PRODUCTION\SP_01-5055-001-EXIST-COOND.DWG

UTILITY COMPANIES AND CONTACTS	
A. AMERICAN ELECTRIC POWER COMPANY	PHONE: 1-304-235-1000
B. LOGAN COUNTY PUBLIC SERVICE DISTRICT	PHONE: 1-304-946-2641
C. EQT GATHERING LLC	PHONE: 1-606-437-5006
D. FRONTIER COMMUNICATIONS	PHONE: 1-800-752-2415
E. WYDOH-DISTRICT 2	PHONE: 1-304-528-5625

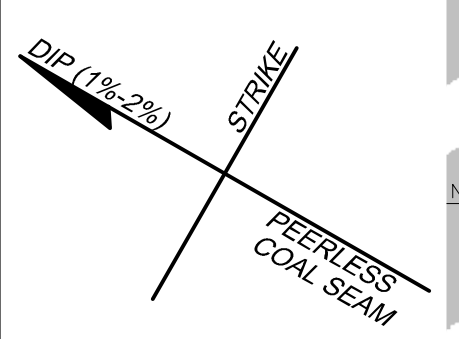
MATCH LINE SHEET E1



SHEET INDEX	
E1	E2

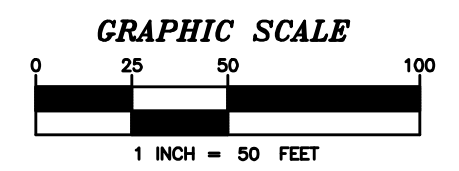
- NOTES:**
- IT IS THE RESPONSIBILITY OF THE CONTRACTOR TO LOCATE ALL UNDERGROUND UTILITIES PRIOR TO CONSTRUCTION.
 - CONTOUR INTERVAL IS TWO FOOT.
 - ALL REFUSE WITHIN THE LIMIT OF CONSTRUCTION SHALL RECEIVE 12" OF SOIL COVER AND BE SEED.

LEGEND			
SYMBOL	DESCRIPTION	SYMBOL	DESCRIPTION
	EXISTING PAVED ROAD		EXISTING OVERHEAD ELECTRIC/TELEPHONE
	EXISTING UNPAVED ROAD		EXISTING OVERHEAD CABLE/TELEPHONE
	EXISTING DRIVEWAY		EXISTING UNDERGROUND ELECTRIC
	EXISTING BUILDING		EXISTING UNDERGROUND TELEPHONE
	EXISTING STREAM/DITCH		EXISTING UNDERGROUND CABLE
	EXISTING CULVERT		EXISTING UNDERGROUND ELECTRIC/CABLE
	EXISTING FENCE LINE		EXISTING TELEPHONE OR ELECTRIC RISER
	EXISTING UTILITY POLE		EXISTING WATER OR GAS METER
	EXISTING FIRE HYDRANT		EXISTING WATER OR GAS VALVE
	EXISTING LIGHT POLE		EXISTING SCATTERED TRASH/DEBRIS
	EXISTING STORM SEWER		EXISTING MINE PORTAL
	EXISTING WATER LINE		EXISTING CONTOUR
	EXISTING SANITARY SEWER		EXISTING TREELINE/BRUSHLINE
	EXISTING OVERHEAD ELECTRIC LINE		WATER SAMPLE LOCATION
	EXISTING GAS LINE		SURVEY CONTROL POINT
	EXISTING OVERHEAD CABLE LINE		SURVEY REFERENCE POINT
	EXISTING OVERHEAD TELEPHONE LINE		PROPOSED BASELINE
	EXISTING OVERHEAD ELECTRIC/CABLE		
	EXISTING OVERHEAD ELECTRIC/CABLE/TELEPHONE		



CALL BEFORE YOU DIG, DRILL OR BLAST!
 WEST VIRGINIA LAW REQUIRES 48 HOURS NOTICE FOR CONSTRUCTION PHASE AND 10 DAYS IN DESIGN STAGE MISS UTILITY OF WEST VIRGINIA, INC. 1-800-245-4848

MAPPING REFERENCE:
 BASE MAPPING FOR THIS DRAWING WAS PREPARED BY MEAD & HUNT, 400 TRACY WAY, SUITE 200 CHARLESTON, WV 25311, 304-345-6712 FOR A COPY OF THE ORIGINAL SURVEY PLEASE CONTACT CARL J. BOWYER.



NO.	DATE	REVISION

TERRADON CORPORATION
 Engineering - Surveying - Landscape Architecture
 P.O. Box 519
 Nitro, West Virginia 25143
 (304) 755-8291 FAX 755-2636
 www.terradon.com

WEST VIRGINIA DEPARTMENT OF ENVIRONMENTAL PROTECTION
 OFFICE OF ABANDONED MINE LANDS AND RECLAMATION

EXISTING CONDITIONS
 CONLEY BRANCH (WHITT) LANDSLIDE
 LOGAN COUNTY, WEST VIRGINIA

Project No.	01-5055-001
Drawn:	WLG
Checked:	EMP
Approved:	WJS
Scale:	1"=50'
Date:	2-10-2014
CAD File #	-EXIST-COOND

E2

PLOT DATE : 10/15/2014 11:12 AM FILE SAVED BY :BILL.GERENCIOR ON 10/15/2014 11:11 AM P:\2013\101-5055-001-CONLEY BRANCH (WHITT) LANDSLIDE\40-TRANS-AML\DWG\PRODUCTION\SP\01-5055-001-REC-PLAN.DWG

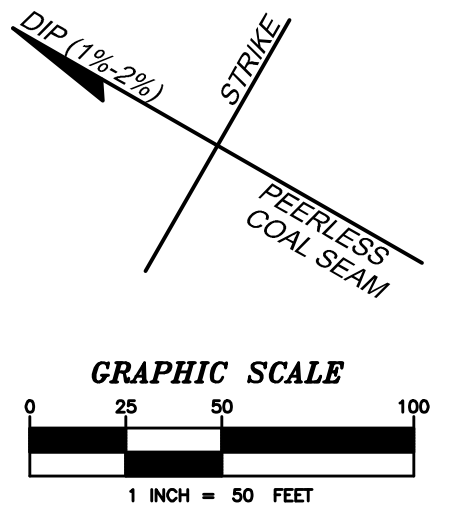
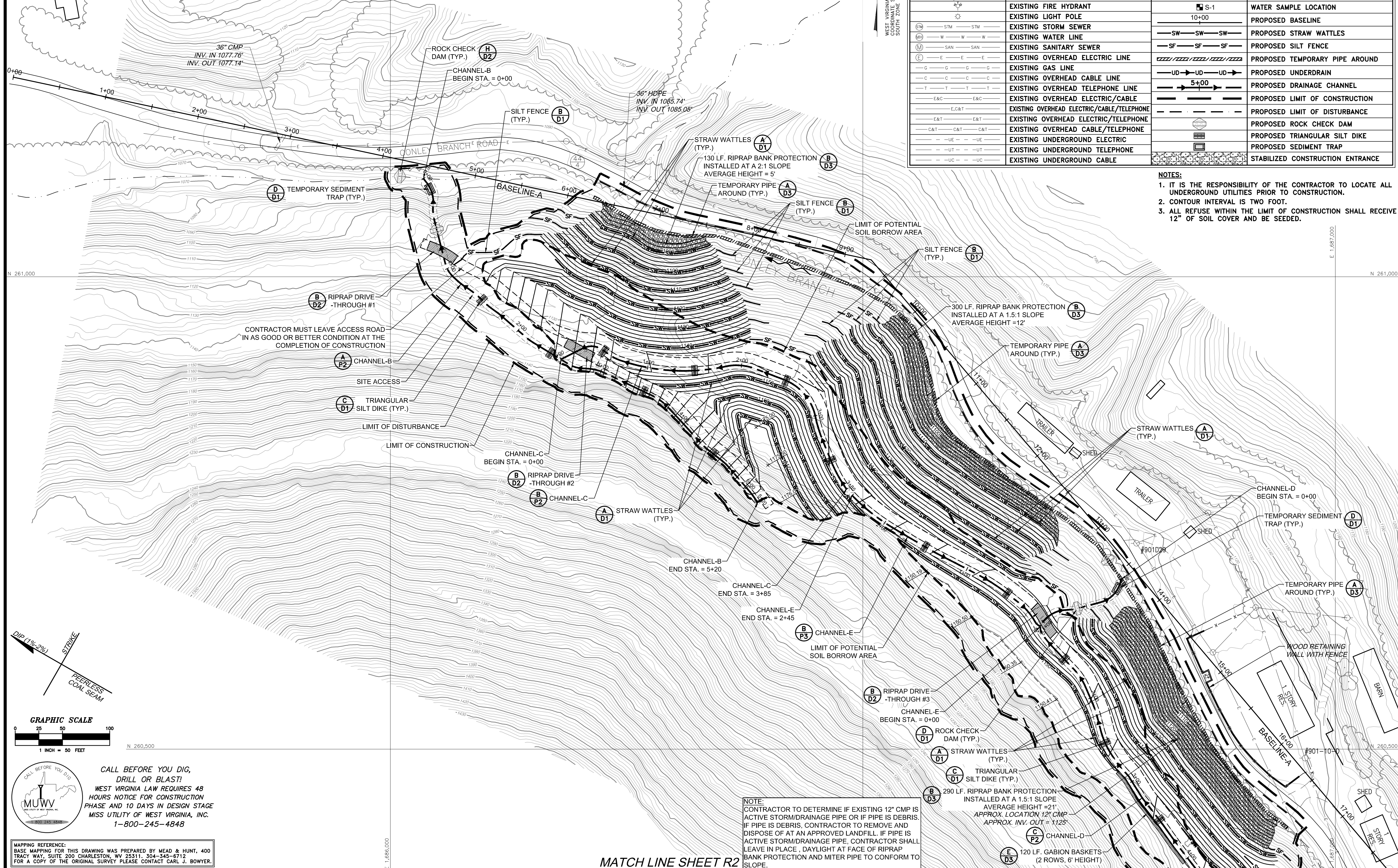
R1 R2 SHEET INDEX

TRAFFIC CONTROL NOTE:
CONTRACTOR TO USE CASE A6 FROM THE "MANUAL ON TEMPORARY TRAFFIC CONTROL FOR STREETS AND HIGHWAYS", 2006 EDITION. CONTRACTOR MUST PROVIDE ACCESS FOR RESIDENTS AT ALL TIMES DURING CONSTRUCTION. CONTRACTOR MAY NOT "LANDLOCK" RESIDENTS DURING CONSTRUCTION.

SYMBOL		LEGEND	
[Symbol]	EXISTING PAVED ROAD	[Symbol]	EXISTING UNDERGROUND ELECTRIC/CABLE
[Symbol]	EXISTING UNPAVED ROAD	[Symbol]	EXISTING WATER OR GAS METER
[Symbol]	EXISTING DRIVEWAY	[Symbol]	EXISTING WATER OR GAS VALVE
[Symbol]	EXISTING BUILDING	[Symbol]	EXISTING SCATTERED TRASH/DEBRIS
[Symbol]	EXISTING STREAM/DITCH	[Symbol]	EXISTING MINE PORTAL
[Symbol]	EXISTING CULVERT	[Symbol]	EXISTING CONTOUR
[Symbol]	EXISTING FENCE LINE	[Symbol]	EXISTING TREELINE/BRUSHLINE
[Symbol]	EXISTING UTILITY POLE	[Symbol]	WATER SAMPLE LOCATION
[Symbol]	EXISTING FIRE HYDRANT	[Symbol]	PROPOSED BASELINE
[Symbol]	EXISTING LIGHT POLE	[Symbol]	PROPOSED STRAW WATTLES
[Symbol]	EXISTING STORM SEWER	[Symbol]	PROPOSED SILT FENCE
[Symbol]	EXISTING WATER LINE	[Symbol]	PROPOSED TEMPORARY PIPE AROUND
[Symbol]	EXISTING SANITARY SEWER	[Symbol]	PROPOSED UNDERDRAIN
[Symbol]	EXISTING OVERHEAD ELECTRIC LINE	[Symbol]	PROPOSED DRAINAGE CHANNEL
[Symbol]	EXISTING GAS LINE	[Symbol]	PROPOSED LIMIT OF CONSTRUCTION
[Symbol]	EXISTING OVERHEAD CABLE LINE	[Symbol]	PROPOSED LIMIT OF DISTURBANCE
[Symbol]	EXISTING OVERHEAD TELEPHONE LINE	[Symbol]	PROPOSED ROCK CHECK DAM
[Symbol]	EXISTING OVERHEAD ELECTRIC/CABLE	[Symbol]	PROPOSED TRIANGULAR SILT DIKE
[Symbol]	EXISTING OVERHEAD ELECTRIC/CABLE/TELEPHONE	[Symbol]	PROPOSED SEDIMENT TRAP
[Symbol]	EXISTING OVERHEAD ELECTRIC/TELEPHONE	[Symbol]	STABILIZED CONSTRUCTION ENTRANCE
[Symbol]	EXISTING UNDERGROUND ELECTRIC		
[Symbol]	EXISTING UNDERGROUND TELEPHONE		
[Symbol]	EXISTING UNDERGROUND CABLE		

NOTES:

- IT IS THE RESPONSIBILITY OF THE CONTRACTOR TO LOCATE ALL UNDERGROUND UTILITIES PRIOR TO CONSTRUCTION.
- CONTOUR INTERVAL IS TWO FOOT.
- ALL REFUSE WITHIN THE LIMIT OF CONSTRUCTION SHALL RECEIVE 12" OF SOIL COVER AND BE SEEDED.



CALL BEFORE YOU DIG, DRILL OR BLAST!
WEST VIRGINIA LAW REQUIRES 48 HOURS NOTICE FOR CONSTRUCTION PHASE AND 10 DAYS IN DESIGN STAGE MISS UTILITY OF WEST VIRGINIA, INC. 1-800-245-4848

MAPPING REFERENCE:
BASE MAPPING FOR THIS DRAWING WAS PREPARED BY MEAD & HUNT, 400 TRACY WAY, SUITE 200 CHARLESTON, WV 25311. 304-345-6712 FOR A COPY OF THE ORIGINAL SURVEY PLEASE CONTACT CARL J. BOWYER.

MATCH LINE SHEET R2

NOTE:
CONTRACTOR TO DETERMINE IF EXISTING 12" CMP IS ACTIVE STORM/DRAINAGE PIPE OR IF PIPE IS DEBRIS. IF PIPE IS DEBRIS, CONTRACTOR TO REMOVE AND DISPOSE OF AT AN APPROVED LANDFILL. IF PIPE IS ACTIVE STORM/DRAINAGE PIPE, CONTRACTOR SHALL LEAVE IN PLACE, DAYLIGHT AT FACE OF RIPRAP BANK PROTECTION AND MITER PIPE TO CONFORM TO SLOPE.

NO.	DATE	REVISION

TERRADON
Engineering - Surveying - Landscape Architecture
P.O. Box 519 25143
Nitro, Virginia
(304) 755-8291 FAX 755-2836
www.terradon.com

WEST VIRGINIA DEPARTMENT OF ENVIRONMENTAL PROTECTION
OFFICE OF ABANDONED MINE LANDS AND RECLAMATION
RECLAMATION PLAN
CONLEY BRANCH (WHITT) LANDSLIDE
LOGAN COUNTY, WEST VIRGINIA

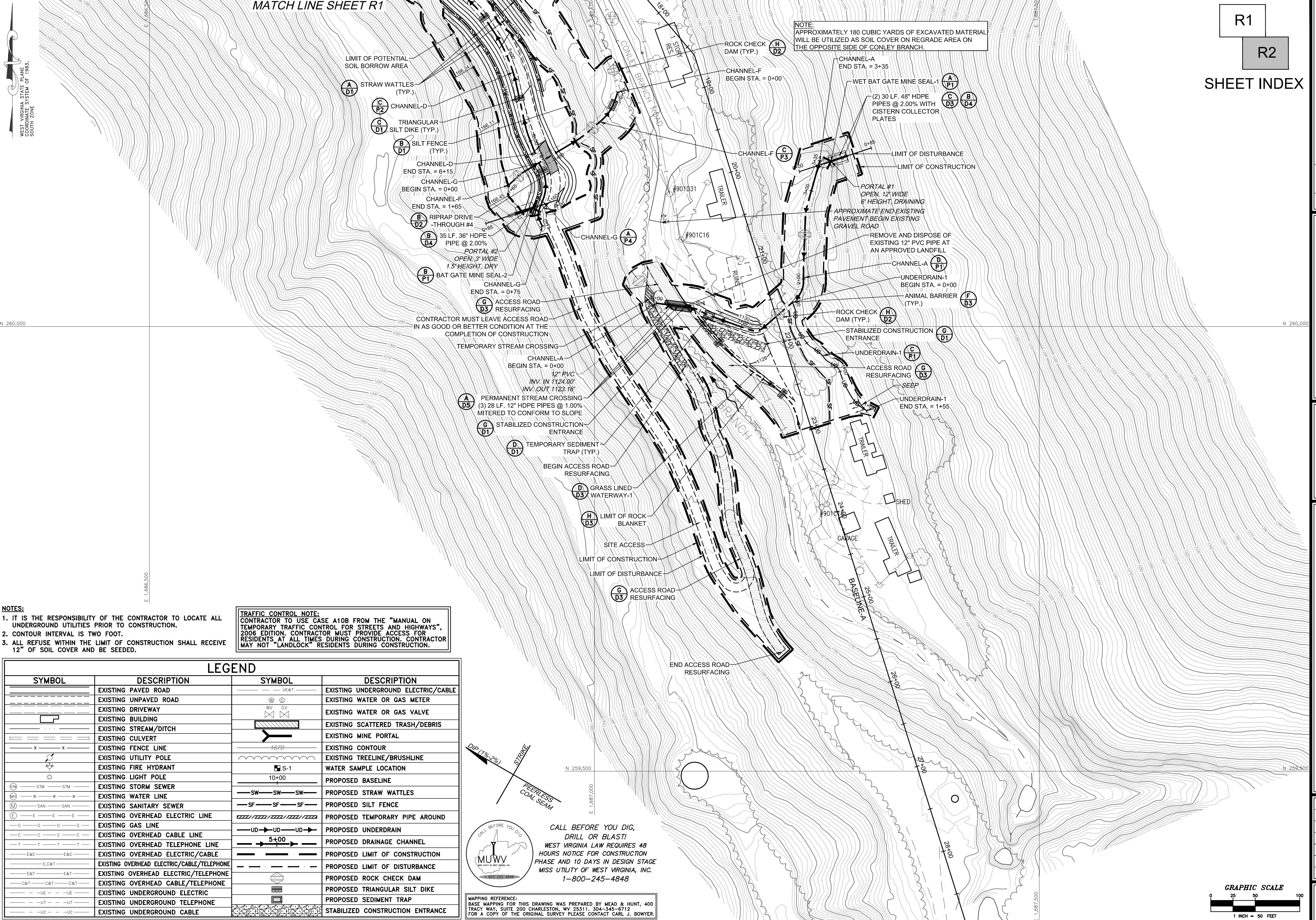
Project No. 01-5055-001
Drawn: WLG
Checked: EMP
Approved: WJS
Scale: 1"=50'
Date: 4-28-2014
CAD File # *-REC-PLAN

R1

PLOT DATE : 10/15/2014 11:13 AM FILE SAVER BY :BILL.GERENCIOR ON 10/15/2014 11:11 AM P:\2013\1\01--5055-001 CONLEY BRANCH (WHITT) LANDSLIDE\40--TRANS--AML\AML.DWG\PRODUCTION\SP_01--5055-001--REC-PLAN.DWG

MATCH LINE SHEET R1

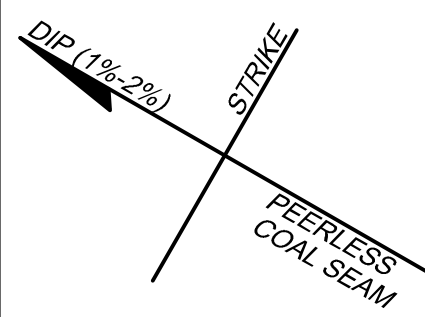
R1
R2
SHEET INDEX



- NOTES:**
- IT IS THE RESPONSIBILITY OF THE CONTRACTOR TO LOCATE ALL UNDERGROUND UTILITIES PRIOR TO CONSTRUCTION.
 - CONTOUR INTERVAL IS TWO FOOT.
 - ALL REFUSE WITHIN THE LIMIT OF CONSTRUCTION SHALL RECEIVE 12" OF SOIL COVER AND BE SEED.

TRAFFIC CONTROL NOTE:
CONTRACTOR TO USE CASE A10B FROM THE "MANUAL ON TEMPORARY TRAFFIC CONTROL FOR STREETS AND HIGHWAYS", 2006 EDITION. CONTRACTOR MUST PROVIDE ACCESS FOR RESIDENTS AT ALL TIMES DURING CONSTRUCTION. CONTRACTOR MAY NOT "LANDLOCK" RESIDENTS DURING CONSTRUCTION.

LEGEND			
SYMBOL	DESCRIPTION	SYMBOL	DESCRIPTION
	EXISTING PAVED ROAD		EXISTING UNDERGROUND ELECTRIC/CABLE
	EXISTING UNPAVED ROAD		EXISTING WATER OR GAS METER
	EXISTING DRIVEWAY		EXISTING WATER OR GAS VALVE
	EXISTING BUILDING		EXISTING SCATTERED TRASH/DEBRIS
	EXISTING STREAM/DITCH		EXISTING MINE PORTAL
	EXISTING CULVERT		EXISTING CONTOUR
	EXISTING FENCE LINE		EXISTING TREELINE/BRUSHLINE
	EXISTING UTILITY POLE		WATER SAMPLE LOCATION
	EXISTING FIRE HYDRANT		PROPOSED BASELINE
	EXISTING LIGHT POLE		PROPOSED STRAW WATTLES
	EXISTING STORM SEWER		PROPOSED SILT FENCE
	EXISTING WATER LINE		PROPOSED TEMPORARY PIPE AROUND
	EXISTING SANITARY SEWER		PROPOSED UNDERDRAIN
	EXISTING OVERHEAD ELECTRIC LINE		PROPOSED DRAINAGE CHANNEL
	EXISTING GAS LINE		PROPOSED LIMIT OF CONSTRUCTION
	EXISTING OVERHEAD CABLE LINE		PROPOSED LIMIT OF DISTURBANCE
	EXISTING OVERHEAD TELEPHONE LINE		PROPOSED ROCK CHECK DAM
	EXISTING OVERHEAD ELECTRIC/CABLE		PROPOSED TRIANGULAR SILT DIKE
	EXISTING OVERHEAD ELECTRIC/TELEPHONE		PROPOSED SEDIMENT TRAP
	EXISTING OVERHEAD CABLE/TELEPHONE		STABILIZED CONSTRUCTION ENTRANCE
	EXISTING UNDERGROUND ELECTRIC		
	EXISTING UNDERGROUND TELEPHONE		
	EXISTING UNDERGROUND CABLE		



CALL BEFORE YOU DIG, DRILL OR BLAST!
WEST VIRGINIA LAW REQUIRES 48 HOURS NOTICE FOR CONSTRUCTION PHASE AND 10 DAYS IN DESIGN STAGE MISS UTILITY OF WEST VIRGINIA, INC. 1-800-245-4848

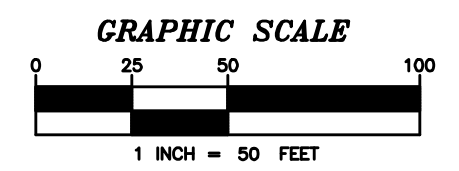
MAPPING REFERENCE:
BASE MAPPING FOR THIS DRAWING WAS PREPARED BY MEAD & HUNT, 400 TRACY WAY, SUITE 200 CHARLESTON, WV 25311, 304-345-8712 FOR A COPY OF THE ORIGINAL SURVEY PLEASE CONTACT CARL J. BOWYER.

NO.	DATE	REVISION

TERRADON
Engineering - Surveying - Landscape Architecture
P.O. Box 519 25143
Nitro, West Virginia 25555
(304) 755-8291 FAX 755-2836
www.terradon.com

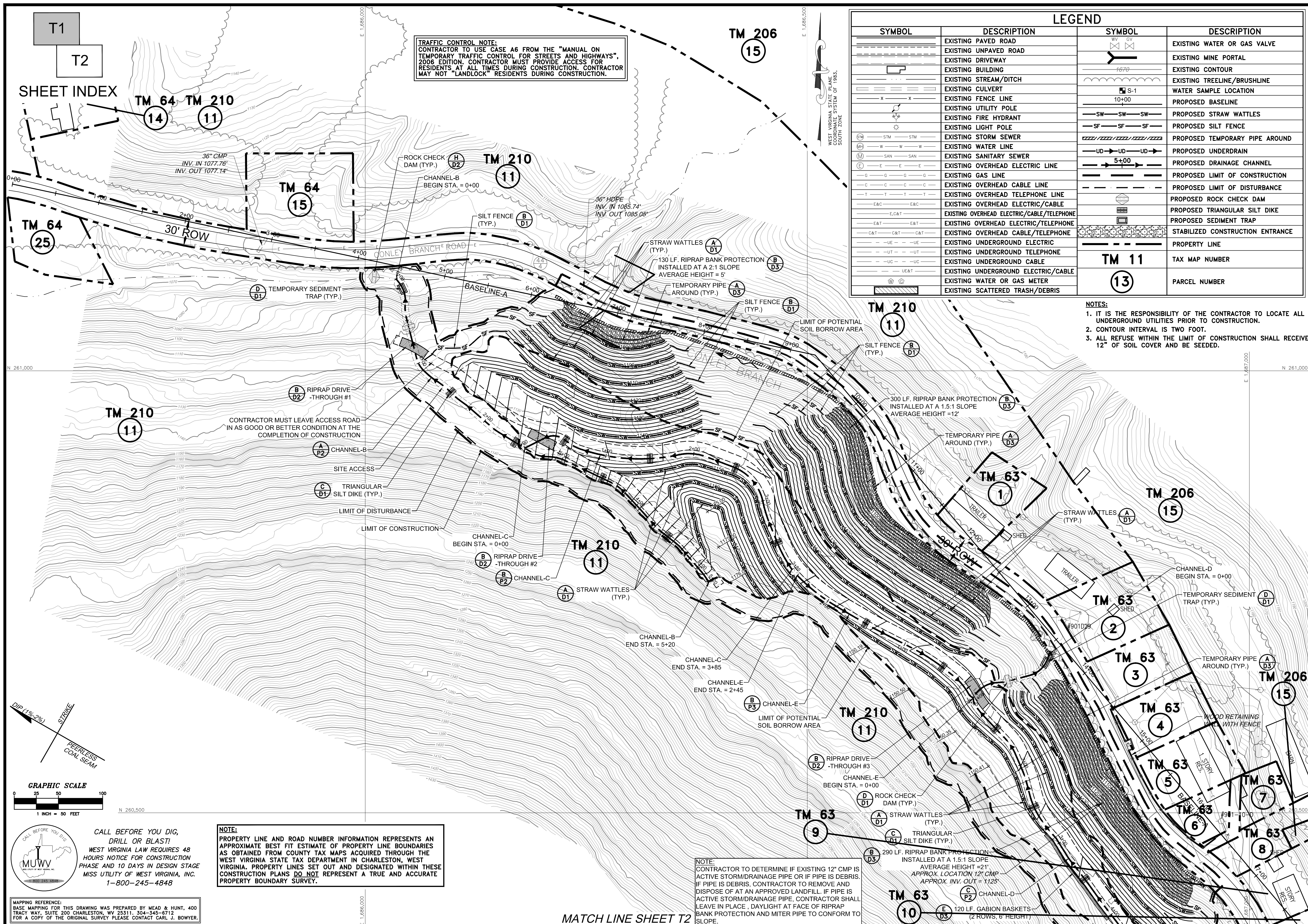
WEST VIRGINIA DEPARTMENT OF ENVIRONMENTAL PROTECTION
OFFICE OF ABANDONED MINE LANDS AND RECLAMATION
RECLAMATION PLAN
CONLEY BRANCH (WHITT) LANDSLIDE
LOGAN COUNTY, WEST VIRGINIA

Project No. 01-5055-001
Drawn: WLG
Checked: EMP
Approved: WJS
Scale: 1"=50'
Date: 4-16-2014
CAD File # *-REC-PLAN



R2

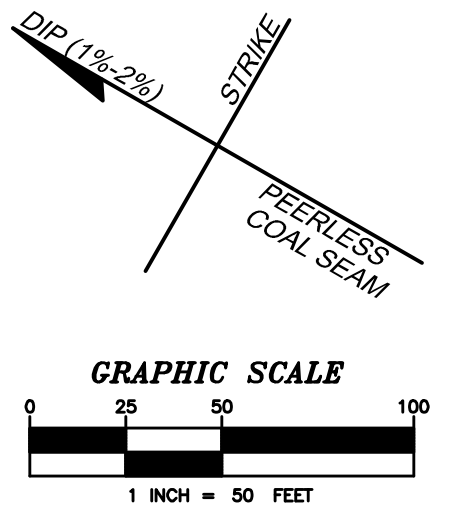
PLOT DATE : 10/15/2014 11:16 AM FILE SAVED BY :BILL.GERENCIOR ON 10/15/2014 11:11 AM P:\2013\01-5055-001 CONLEY BRANCH (WHITT) LANDSLIDE\40-TRANS-AML\AML.DWG PRODUCTION\SP_01-5055-001-REC-PLAN.DWG



TRAFFIC CONTROL NOTE:
CONTRACTOR TO USE CASE A6 FROM THE "MANUAL ON TEMPORARY TRAFFIC CONTROL FOR STREETS AND HIGHWAYS", 2006 EDITION. CONTRACTOR MUST PROVIDE ACCESS FOR RESIDENTS AT ALL TIMES. DURING CONSTRUCTION, CONTRACTOR MAY NOT "LANDLOCK" RESIDENTS DURING CONSTRUCTION.

SYMBOL		DESCRIPTION	
[Symbol]	[Symbol]	EXISTING PAVED ROAD	EXISTING WATER OR GAS VALVE
[Symbol]	[Symbol]	EXISTING UNPAVED ROAD	EXISTING MINE PORTAL
[Symbol]	[Symbol]	EXISTING DRIVEWAY	EXISTING CONTOUR
[Symbol]	[Symbol]	EXISTING BUILDING	EXISTING TREELINE/BRUSHLINE
[Symbol]	[Symbol]	EXISTING STREAM/DITCH	EXISTING CULVERT
[Symbol]	[Symbol]	EXISTING FENCE LINE	EXISTING UTILITY POLE
[Symbol]	[Symbol]	EXISTING UTILITY POLE	EXISTING FIRE HYDRANT
[Symbol]	[Symbol]	EXISTING FIRE HYDRANT	EXISTING LIGHT POLE
[Symbol]	[Symbol]	EXISTING LIGHT POLE	EXISTING STORM SEWER
[Symbol]	[Symbol]	EXISTING STORM SEWER	EXISTING WATER LINE
[Symbol]	[Symbol]	EXISTING WATER LINE	EXISTING SANITARY SEWER
[Symbol]	[Symbol]	EXISTING SANITARY SEWER	EXISTING OVERHEAD ELECTRIC LINE
[Symbol]	[Symbol]	EXISTING OVERHEAD ELECTRIC LINE	EXISTING GAS LINE
[Symbol]	[Symbol]	EXISTING GAS LINE	EXISTING OVERHEAD CABLE LINE
[Symbol]	[Symbol]	EXISTING OVERHEAD CABLE LINE	EXISTING OVERHEAD TELEPHONE LINE
[Symbol]	[Symbol]	EXISTING OVERHEAD TELEPHONE LINE	EXISTING OVERHEAD ELECTRIC/CABLE
[Symbol]	[Symbol]	EXISTING OVERHEAD ELECTRIC/CABLE	EXISTING OVERHEAD ELECTRIC/CABLE/TELEPHONE
[Symbol]	[Symbol]	EXISTING OVERHEAD ELECTRIC/CABLE/TELEPHONE	EXISTING OVERHEAD ELECTRIC/TELEPHONE
[Symbol]	[Symbol]	EXISTING OVERHEAD ELECTRIC/TELEPHONE	EXISTING UNDERGROUND ELECTRIC
[Symbol]	[Symbol]	EXISTING UNDERGROUND ELECTRIC	EXISTING UNDERGROUND TELEPHONE
[Symbol]	[Symbol]	EXISTING UNDERGROUND TELEPHONE	EXISTING UNDERGROUND CABLE
[Symbol]	[Symbol]	EXISTING UNDERGROUND CABLE	EXISTING UNDERGROUND ELECTRIC/CABLE
[Symbol]	[Symbol]	EXISTING UNDERGROUND ELECTRIC/CABLE	EXISTING WATER OR GAS METER
[Symbol]	[Symbol]	EXISTING WATER OR GAS METER	EXISTING SCATTERED TRASH/DEBRIS
[Symbol]	[Symbol]	EXISTING SCATTERED TRASH/DEBRIS	

- NOTES:**
- IT IS THE RESPONSIBILITY OF THE CONTRACTOR TO LOCATE ALL UNDERGROUND UTILITIES PRIOR TO CONSTRUCTION.
 - CONTOUR INTERVAL IS TWO FOOT.
 - ALL REFUSE WITHIN THE LIMIT OF CONSTRUCTION SHALL RECEIVE 12" OF SOIL COVER AND BE SEEDED.



CALL BEFORE YOU DIG, DRILL OR BLAST!
WEST VIRGINIA LAW REQUIRES 48 HOURS NOTICE FOR CONSTRUCTION PHASE AND 10 DAYS IN DESIGN STAGE MISS UTILITY OF WEST VIRGINIA, INC. 1-800-245-4848

NOTE:
PROPERTY LINE AND ROAD NUMBER INFORMATION REPRESENTS AN APPROXIMATE BEST FIT ESTIMATE OF PROPERTY LINE BOUNDARIES AS OBTAINED FROM COUNTY TAX MAPS ACQUIRED THROUGH THE WEST VIRGINIA STATE TAX DEPARTMENT IN CHARLESTON, WEST VIRGINIA. PROPERTY LINES SET OUT AND DESIGNATED WITHIN THESE CONSTRUCTION PLANS DO NOT REPRESENT A TRUE AND ACCURATE PROPERTY BOUNDARY SURVEY.

NOTE:
CONTRACTOR TO DETERMINE IF EXISTING 12" CMP IS ACTIVE STORM/DRAINAGE PIPE OR IF PIPE IS DEBRIS. IF PIPE IS DEBRIS, CONTRACTOR TO REMOVE AND DISPOSE OF AT AN APPROVED LANDFILL. IF PIPE IS ACTIVE STORM/DRAINAGE PIPE, CONTRACTOR SHALL LEAVE IN PLACE, DAYLIGHT AT FACE OF RIPRAP BANK PROTECTION AND MITER PIPE TO CONFORM TO SLOPE.

MAPPING REFERENCE:
BASE MAPPING FOR THIS DRAWING WAS PREPARED BY MEAD & HUNT, 400 TRACY WAY, SUITE 200 CHARLESTON, WV 25311. 304-345-6712 FOR A COPY OF THE ORIGINAL SURVEY PLEASE CONTACT CARL J. BOWYER.

TERRADON
Engineering - Surveying - Landscape Architecture
P.O. Box 519 25143
Nitro, West Virginia 25143
(304) 755-8291 FAX 755-2836
www.terradon.com

WEST VIRGINIA DEPARTMENT OF ENVIRONMENTAL PROTECTION
OFFICE OF ABANDONED MINE LANDS AND RECLAMATION

TAX MAP OVERLAY
CONLEY BRANCH (WHITT) LANDSLIDE
LOGAN COUNTY, WEST VIRGINIA

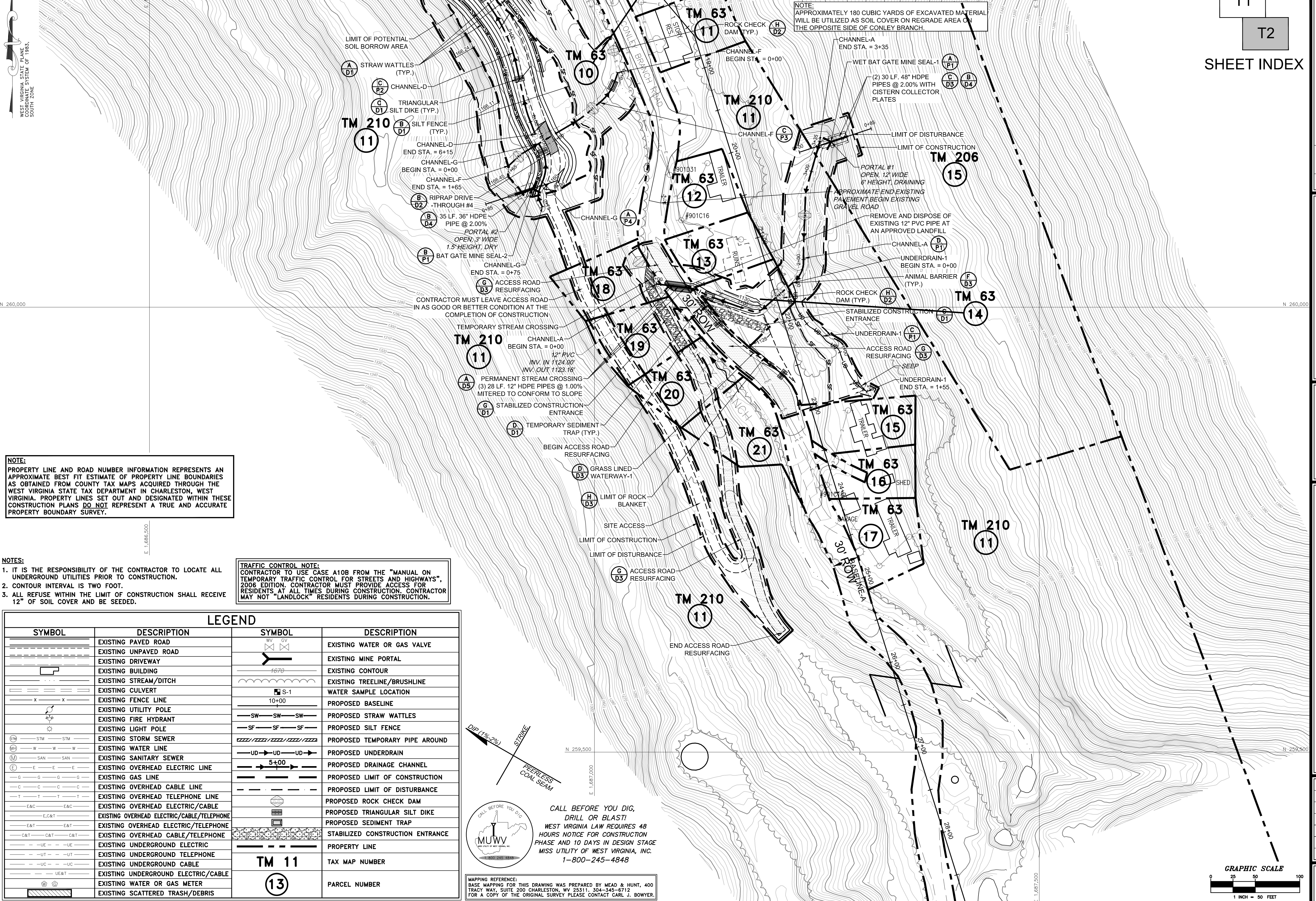
Project No. 01-5055-001
Drawn: WLG
Checked: EMP
Approved: WJS
Scale: 1"=50'
Date: 4-28-2014
CAD File # *-REC-PLAN

T1

PLOT DATE : 10/15/2014 11:17 AM FILE SAVER BY :BILLGERENCIOR ON 10/15/2014 11:11 AM P:\2013\01-5055-001 CONLEY BRANCH (WHITT) LANDSLIDE\40-TRANS-AML\AML.DWG (PRODUCT)\SP\01-5055-001-REC-PLAN.DWG

MATCH LINE SHEET T1

T1
T2
SHEET INDEX



NOTE:
PROPERTY LINE AND ROAD NUMBER INFORMATION REPRESENTS AN APPROXIMATE BEST FIT ESTIMATE OF PROPERTY LINE BOUNDARIES AS OBTAINED FROM COUNTY TAX MAPS ACQUIRED THROUGH THE WEST VIRGINIA STATE TAX DEPARTMENT IN CHARLESTON, WEST VIRGINIA. PROPERTY LINES SET OUT AND DESIGNATED WITHIN THESE CONSTRUCTION PLANS DO NOT REPRESENT A TRUE AND ACCURATE PROPERTY BOUNDARY SURVEY.

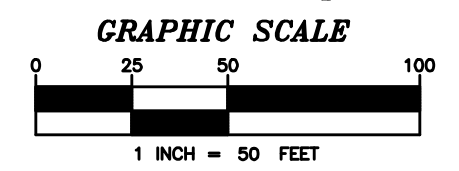
NOTES:
1. IT IS THE RESPONSIBILITY OF THE CONTRACTOR TO LOCATE ALL UNDERGROUND UTILITIES PRIOR TO CONSTRUCTION.
2. CONTOUR INTERVAL IS TWO FOOT.
3. ALL REFUSE WITHIN THE LIMIT OF CONSTRUCTION SHALL RECEIVE 12" OF SOIL COVER AND BE SEED.

TRAFFIC CONTROL NOTE:
CONTRACTOR TO USE CASE A10B FROM THE "MANUAL ON TEMPORARY TRAFFIC CONTROL FOR STREETS AND HIGHWAYS", 2006 EDITION. CONTRACTOR MUST PROVIDE ACCESS FOR RESIDENTS AT ALL TIMES DURING CONSTRUCTION. CONTRACTOR MAY NOT "LANDLOCK" RESIDENTS DURING CONSTRUCTION.

LEGEND		LEGEND	
SYMBOL	DESCRIPTION	SYMBOL	DESCRIPTION
	EXISTING PAVED ROAD		EXISTING WATER OR GAS VALVE
	EXISTING UNPAVED ROAD		EXISTING MINE PORTAL
	EXISTING DRIVEWAY		EXISTING CONTOUR
	EXISTING BUILDING		EXISTING TREELINE/BRUSHLINE
	EXISTING STREAM/DITCH		EXISTING WATER SAMPLE LOCATION
	EXISTING CULVERT		PROPOSED BASELINE
	EXISTING FENCE LINE		PROPOSED STRAW WATTLES
	EXISTING UTILITY POLE		PROPOSED SILT FENCE
	EXISTING FIRE HYDRANT		PROPOSED TEMPORARY PIPE AROUND
	EXISTING LIGHT POLE		PROPOSED UNDERDRAIN
	EXISTING STORM SEWER		PROPOSED DRAINAGE CHANNEL
	EXISTING WATER LINE		PROPOSED LIMIT OF CONSTRUCTION
	EXISTING SANITARY SEWER		PROPOSED LIMIT OF DISTURBANCE
	EXISTING OVERHEAD ELECTRIC LINE		PROPOSED ROCK CHECK DAM
	EXISTING GAS LINE		PROPOSED TRIANGULAR SILT DIKE
	EXISTING OVERHEAD CABLE LINE		PROPOSED SEDIMENT TRAP
	EXISTING OVERHEAD TELEPHONE LINE		STABILIZED CONSTRUCTION ENTRANCE
	EXISTING OVERHEAD ELECTRIC/CABLE		PROPERTY LINE
	EXISTING OVERHEAD ELECTRIC/CABLE/TELEPHONE		TAX MAP NUMBER
	EXISTING OVERHEAD ELECTRIC/TELEPHONE		PARCEL NUMBER
	EXISTING OVERHEAD CABLE/TELEPHONE		
	EXISTING UNDERGROUND ELECTRIC		
	EXISTING UNDERGROUND TELEPHONE		
	EXISTING UNDERGROUND CABLE		
	EXISTING UNDERGROUND ELECTRIC/CABLE		
	EXISTING WATER OR GAS METER		
	EXISTING SCATTERED TRASH/DEBRIS		

CALL BEFORE YOU DIG, DRILL OR BLAST!
WEST VIRGINIA LAW REQUIRES 48 HOURS NOTICE FOR CONSTRUCTION PHASE AND 10 DAYS IN DESIGN STAGE MISS UTILITY OF WEST VIRGINIA, INC. 1-800-245-4848

MAPPING REFERENCE:
BASE MAPPING FOR THIS DRAWING WAS PREPARED BY MEAD & HUNT, 400 TRACY WAY, SUITE 200 CHARLESTON, WV 25311, 304-345-6712 FOR A COPY OF THE ORIGINAL SURVEY PLEASE CONTACT CARL J. BOWYER.



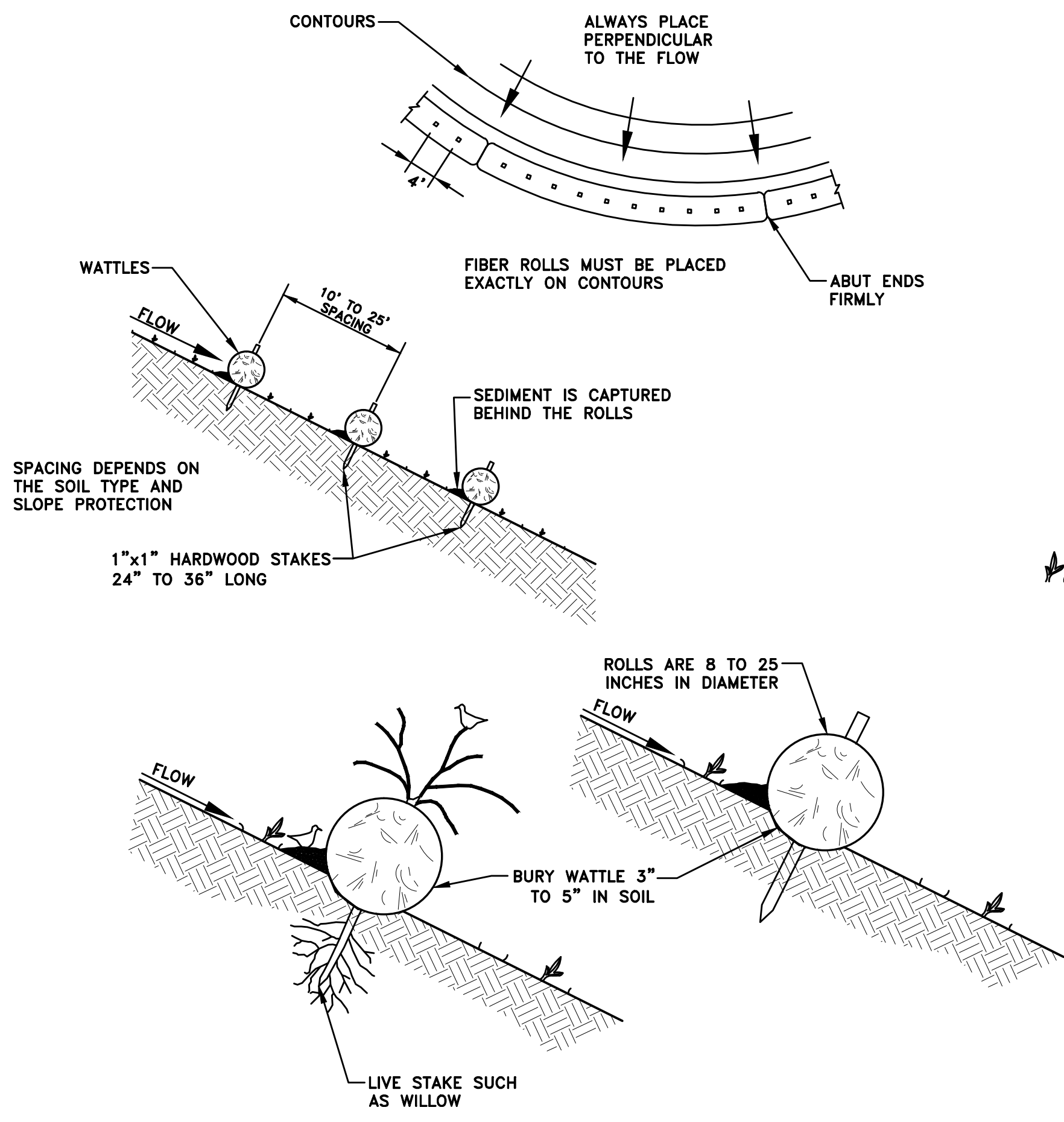
TERRADON CORPORATION
Engineering - Surveying - Landscape Architecture
P.O. Box 519 25143
Nitro, Virginia
(304) 755-8291 FAX 755-2636
www.terradon.com

WEST VIRGINIA DEPARTMENT OF ENVIRONMENTAL PROTECTION
OFFICE OF ABANDONED MINE LANDS AND RECLAMATION
TAX MAP OVERLAY
CONLEY BRANCH (WHITT) LANDSLIDE
LOGAN COUNTY, WEST VIRGINIA

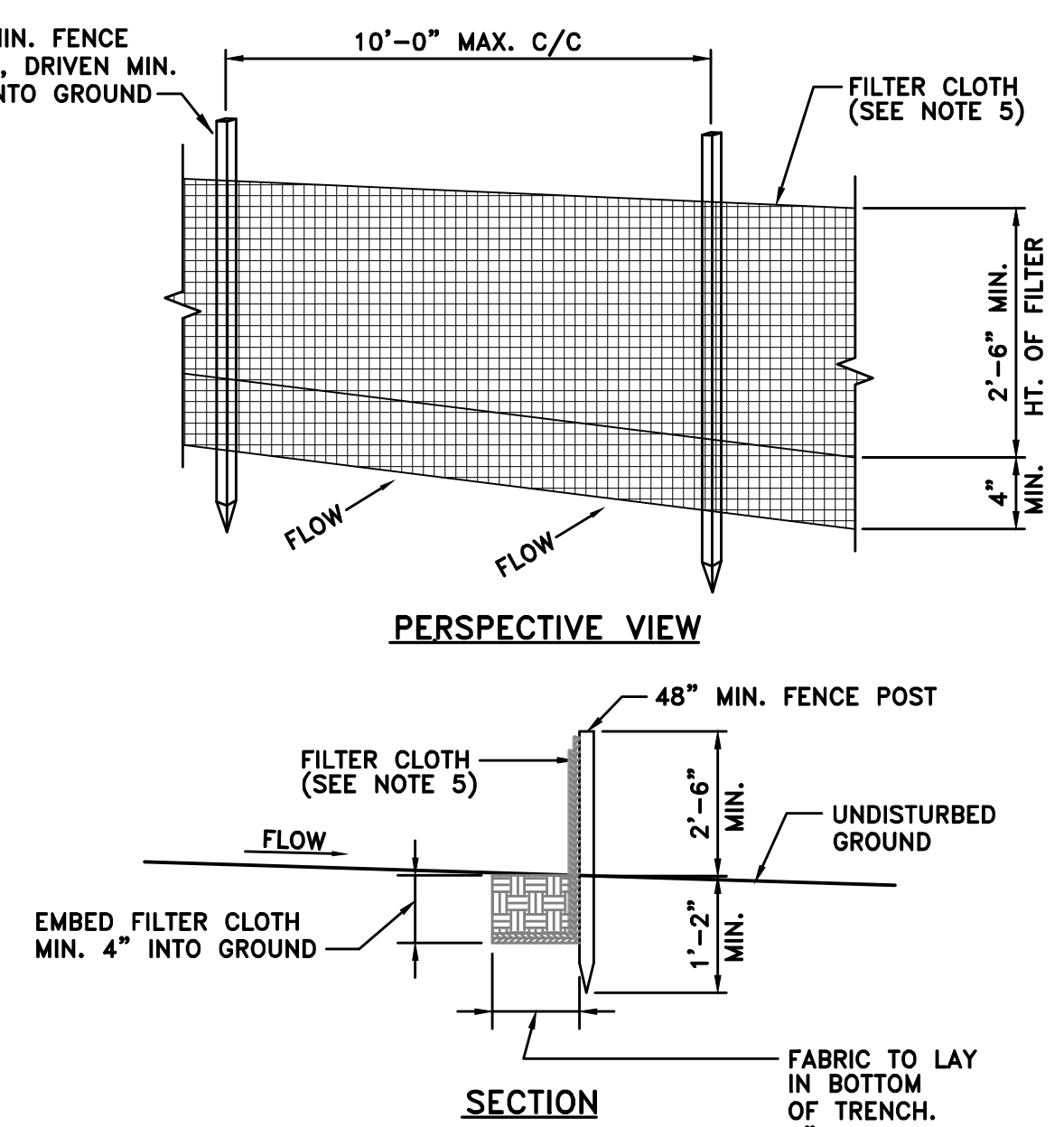
Project No. 01-5055-001
Drawn: WLG
Checked: EMP
Approved: WJS
Scale: 1"=50'
Date: 4-28-2014
CAD File # *-REC-PLAN

T2

PLOT DATE : 4/16/2014 3:33 PM FILE SAVER BY :BILL.GERENCIOR ON 4/16/2014 11:10 AM P:\2013\01-5055-001 CONLEY BRANCH (WHITT) LANDSLIDE\40-TRANS-AML\DWG\PRODUCTION\SP\01-5055-001-DETAILS.DWG

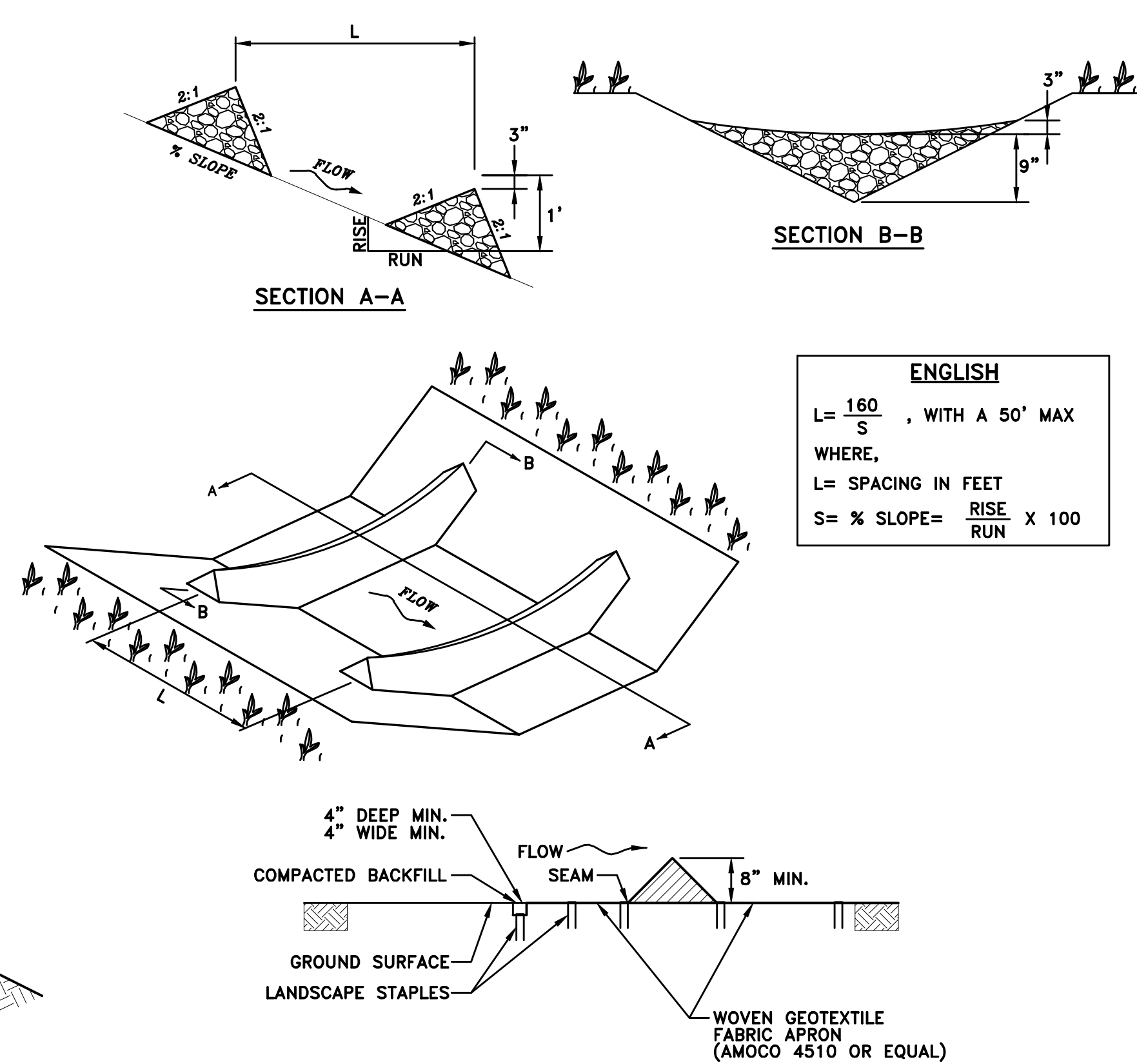


A STRAW WATTLE ANCHORING/ENTRENCHMENT DETAIL
NO SCALE



- NOTES:**
1. FILTER CLOTH TO BE FASTENED SECURELY TO FENCE POSTS WITH WIRE TIES OR STAPLES.
 2. WHEN TWO SECTIONS OF FILTER CLOTH ADJOIN EACH OTHER THEY SHALL BE OVERLAPPED BY SIX INCHES AND FOLDED.
 3. MAINTENANCE SHALL BE PERFORMED AS NEEDED AND MATERIAL REMOVED PRIOR TO "BULGING" OF SILT FENCE. SILT FENCE SHALL BE CHECKED AFTER EACH STORM EVENT.
 4. POSTS SHALL BE CONSTRUCTED OF STEEL, EITHER "I" OR "U" TYPE, OR 2" HARDWOOD.
 5. FILTER CLOTH SHALL BE "FILTER X", "MIRAFI 100X", "LINKA T140N", "EXXON GTF 180" OR APPROVED EQUAL.

B SILT FENCE DETAIL
NO SCALE



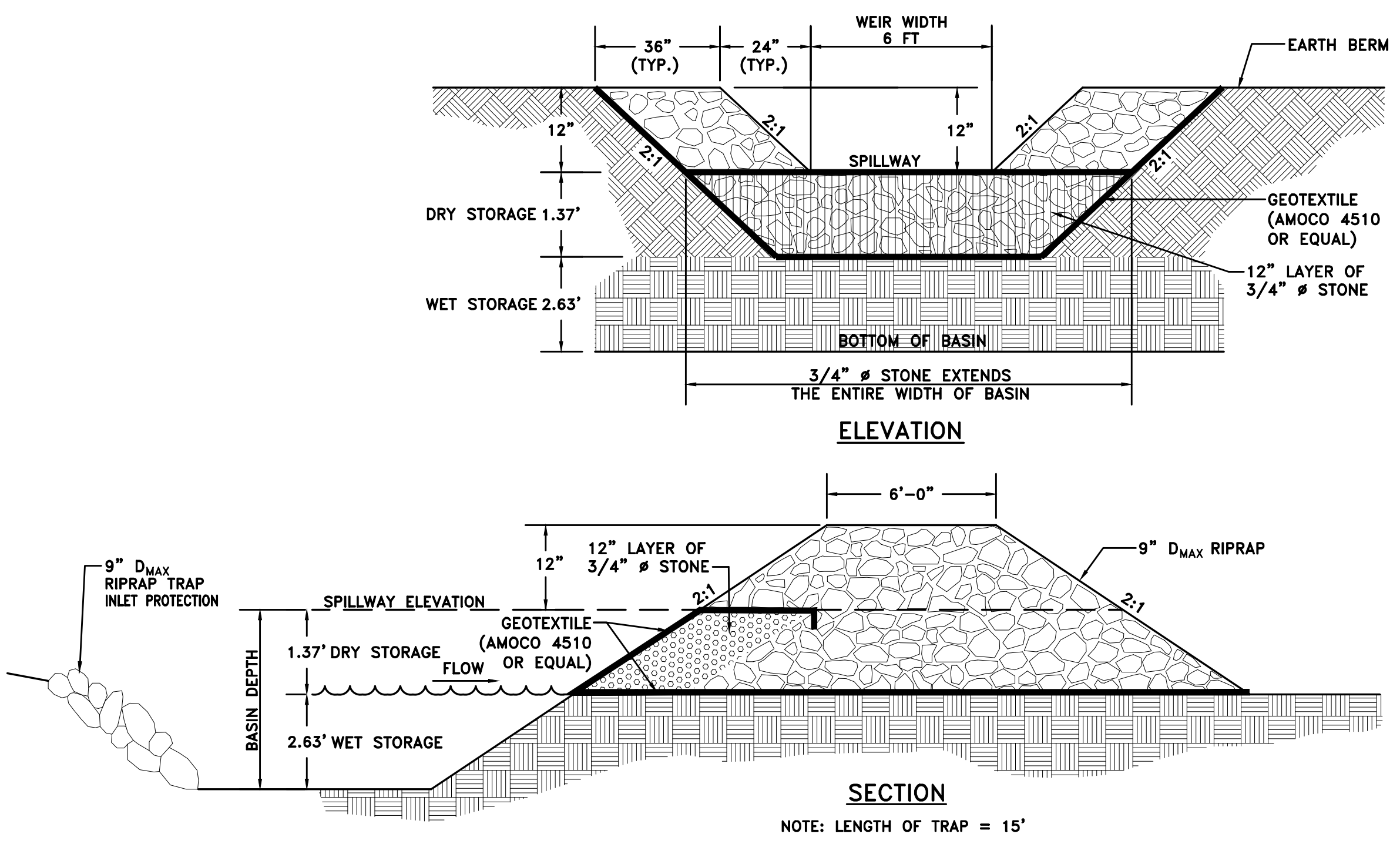
ENGLISH

$$L = \frac{160}{S}, \text{ WITH A } 50' \text{ MAX}$$

WHERE,
L = SPACING IN FEET
S = % SLOPE = $\frac{\text{RISE}}{\text{RUN}} \times 100$

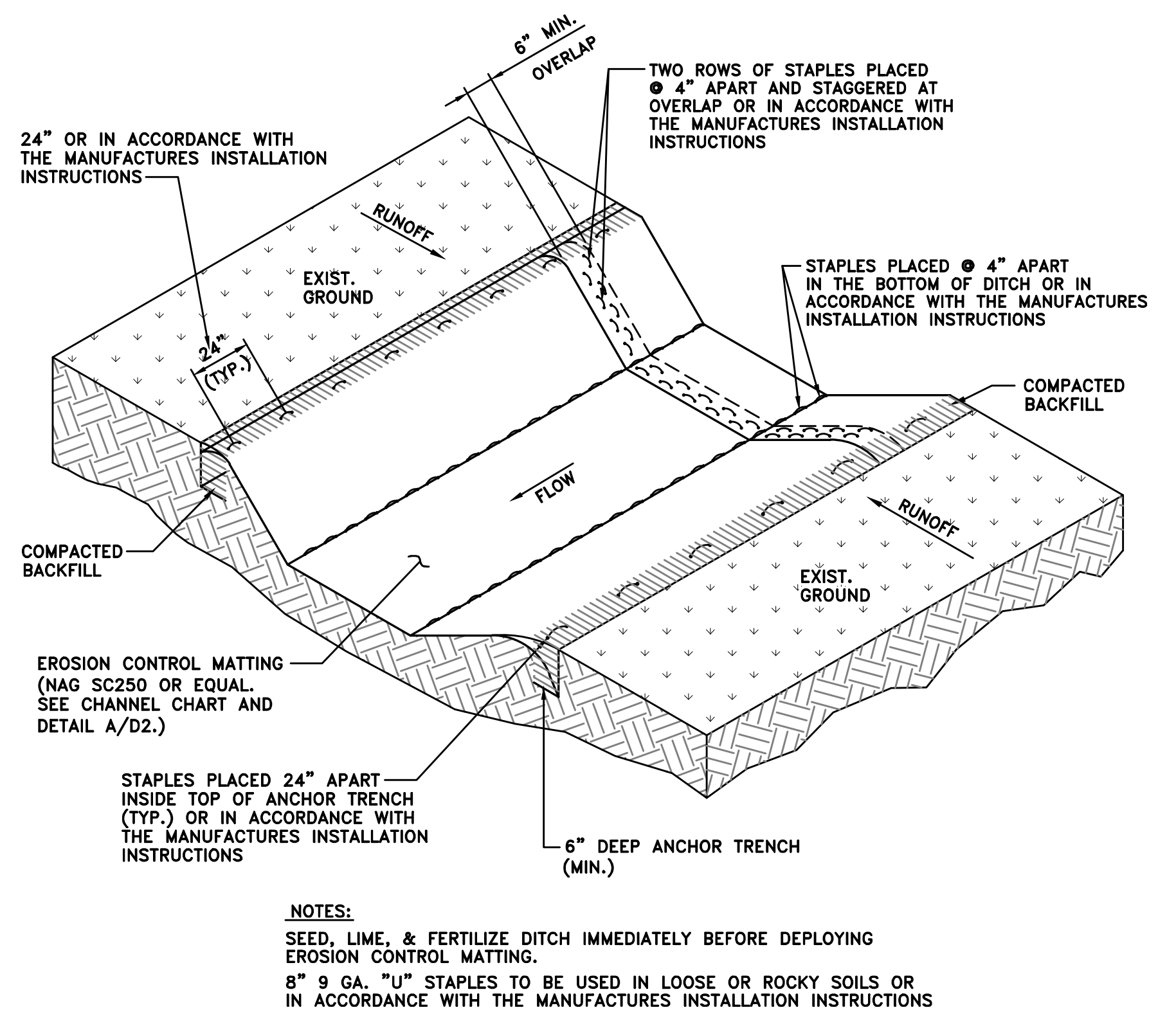
- NOTES:**
1. SPACING OF PREFABRICATED DITCH CHECKS SHALL BE THE SAME AS STONE DITCH CHECKS.
 2. THE MINIMUM DITCH DEPTH IS 1'.
 3. ALL STONE DITCH CHECKS SHALL BE WRAPPED IN WOVEN GEOTEXTILE FABRIC.

C TRIANGULAR SILT DIKE DETAIL
NO SCALE



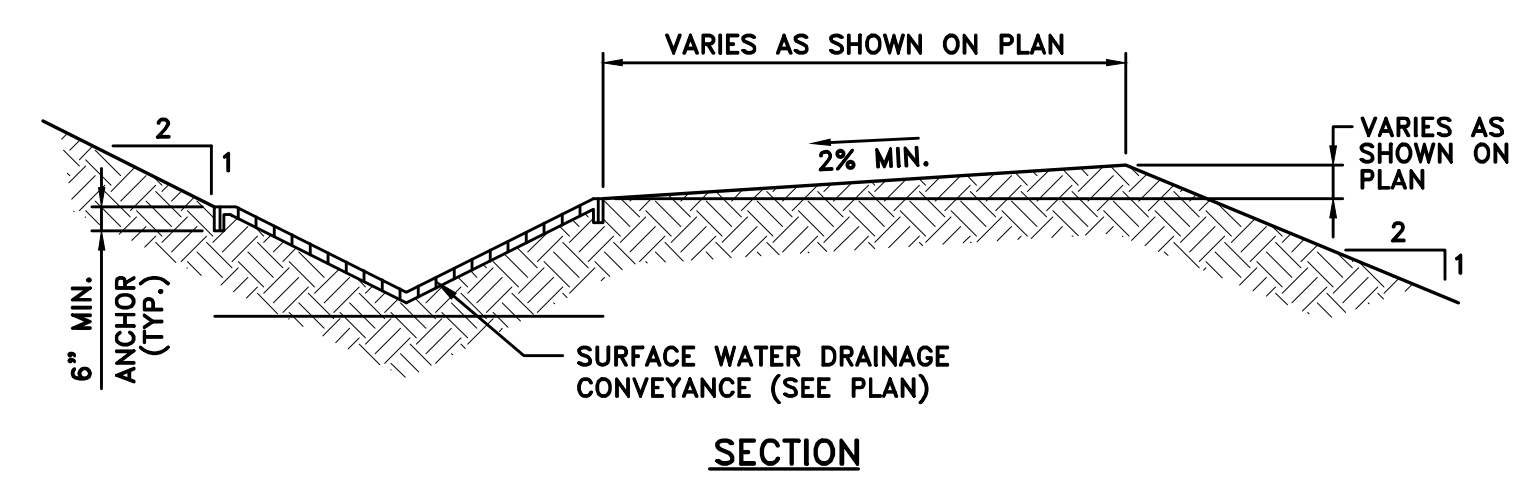
NOTE: LENGTH OF TRAP = 15'

D TEMPORARY SEDIMENT TRAP
NO SCALE

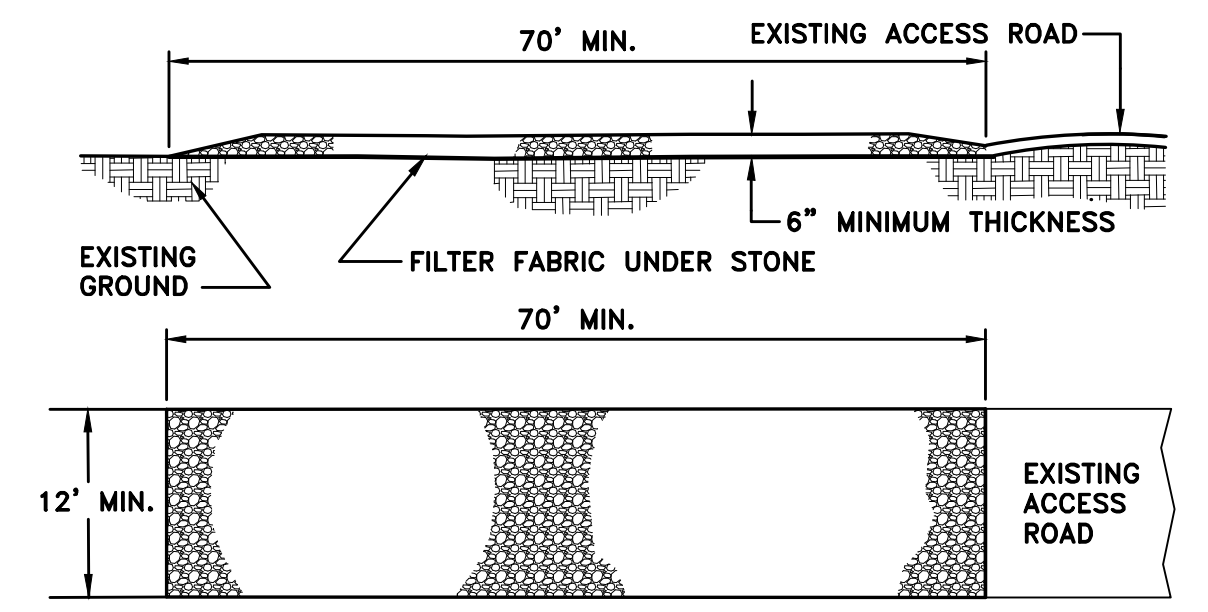


- NOTES:**
1. SEED, LIME, & FERTILIZE DITCH IMMEDIATELY BEFORE DEPLOYING EROSION CONTROL MATTING.
 2. 8" 9 GA. "U" STAPLES TO BE USED IN LOOSE OR ROCKY SOILS OR IN ACCORDANCE WITH THE MANUFACTURES INSTALLATION INSTRUCTIONS

E EROSION CONTROL MATTING DETAIL
NO SCALE



F ECM ON BENCH DETAIL
NO SCALE



- NOTES:**
1. A STABILIZED ENTRANCE PAD OF WASHED AASHTO No. 3 STONE SHALL BE LOCATED WHERE TRAFFIC WILL LEAVE OR ENTER THE CONSTRUCTION SITE ONTO A PUBLIC ROAD.
 2. FILTER FABRIC OR CRUSHER RUN MAY BE USED AS A BASE COURSE FOR THE CONSTRUCTION ENTRANCE.
 3. THE ENTRANCE SHALL BE MAINTAINED IN A CONDITION WHICH WILL PREVENT TRACKING OR FLOWING OF SEDIMENT ONTO PUBLIC STREETS OR EXISTING PAVEMENT. THIS MAY REQUIRE PERIODIC TOP DRESSING WITH ADDITIONAL STONE AS CONDITIONS WARRANT AND REPAIR OR CLEANOUT OF ANY MEASURES USED TO TRAP SEDIMENT.
 4. ANY SEDIMENT SPILLED, DROPPED, WASHED OR TRACKED ONTO PUBLIC STREETS MUST BE REMOVED IMMEDIATELY.
 5. WHEN APPROPRIATE, WHEELS MUST BE CLEANED TO REMOVE SEDIMENT PRIOR TO ENTERING A PUBLIC STREET.
 6. THE MAXIMUM ALLOWABLE DRIVEWAY WIDTH SHALL BE 25 FEET. THE CONTRACTOR SHALL KEEP THE WIDTH TO THE MINIMUM NECESSARY FOR OPERATIONS, 12 FEET MINIMUM.

G STABILIZED CONSTRUCTION ENTRANCE DETAIL
NO SCALE

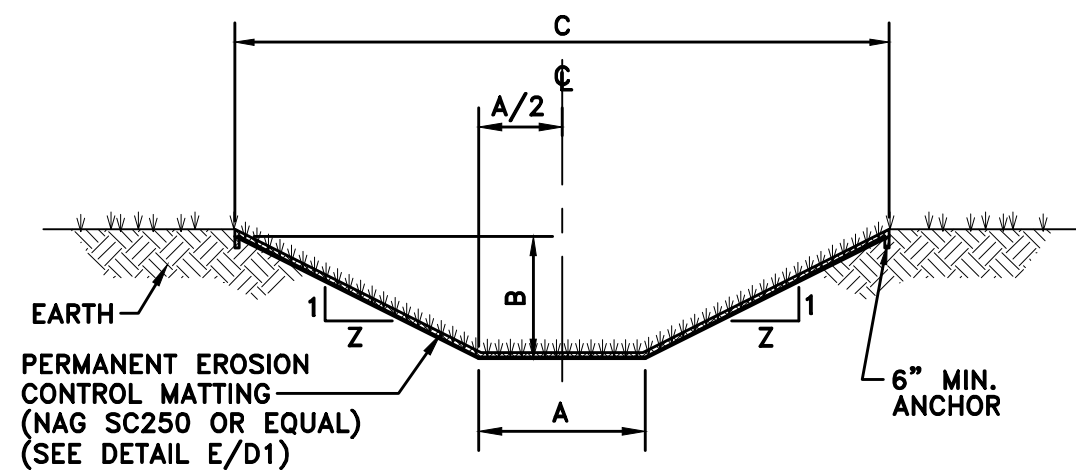
NO.	DATE	REVISION

TERRADON
Engineering - Surveying - Landscape Architecture
P.O. Box 519
Nittany, West Virginia 25143
(304) 755-8291 FAX 755-2836
www.terradon.com

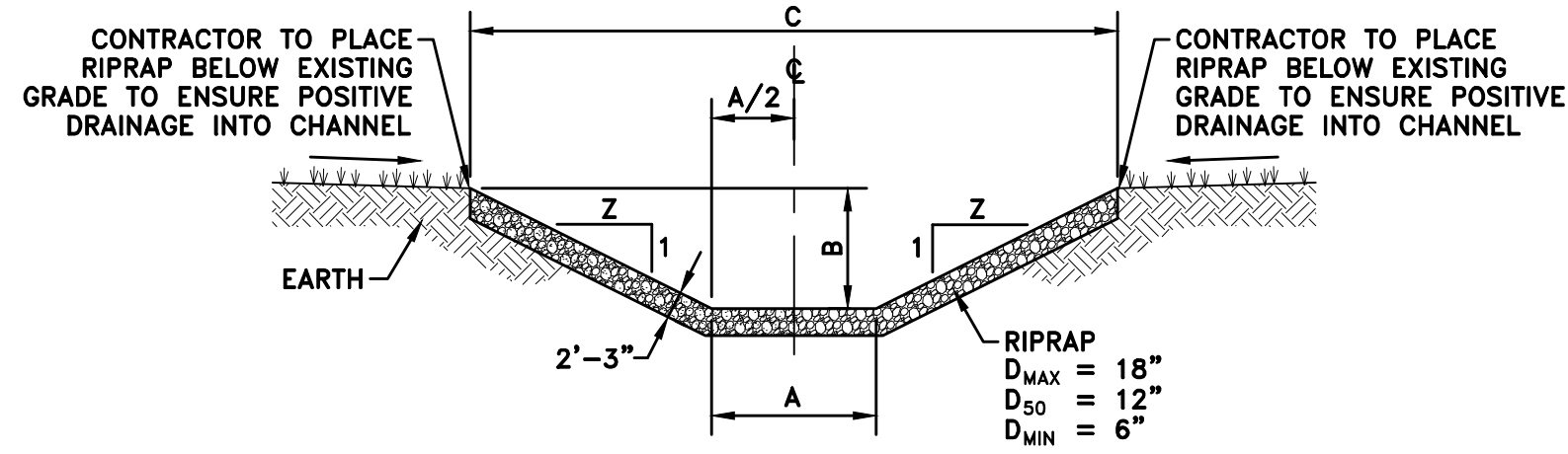
WEST VIRGINIA DEPARTMENT OF ENVIRONMENTAL PROTECTION
OFFICE OF ABANDONED MINE LANDS AND RECLAMATION
MISCELLANEOUS DETAILS
CONLEY BRANCH (WHITT) LANDSLIDE
LOGAN COUNTY, WEST VIRGINIA

Project No.	01-5055-001
Drawn:	WLG
Checked:	EMP
Approved:	WJS
Scale:	NTS
Date:	4-16-2014
CAD File #	*-MISC-DETAILS

D1



NOTE: INSTALL EROSION CONTROL MATTING PER MANUFACTURER'S RECOMMENDATIONS.
TYPICAL GRASS LINED SECTION (TYPE 1)



TYPICAL RIPRAP SECTION (TYPE 2)

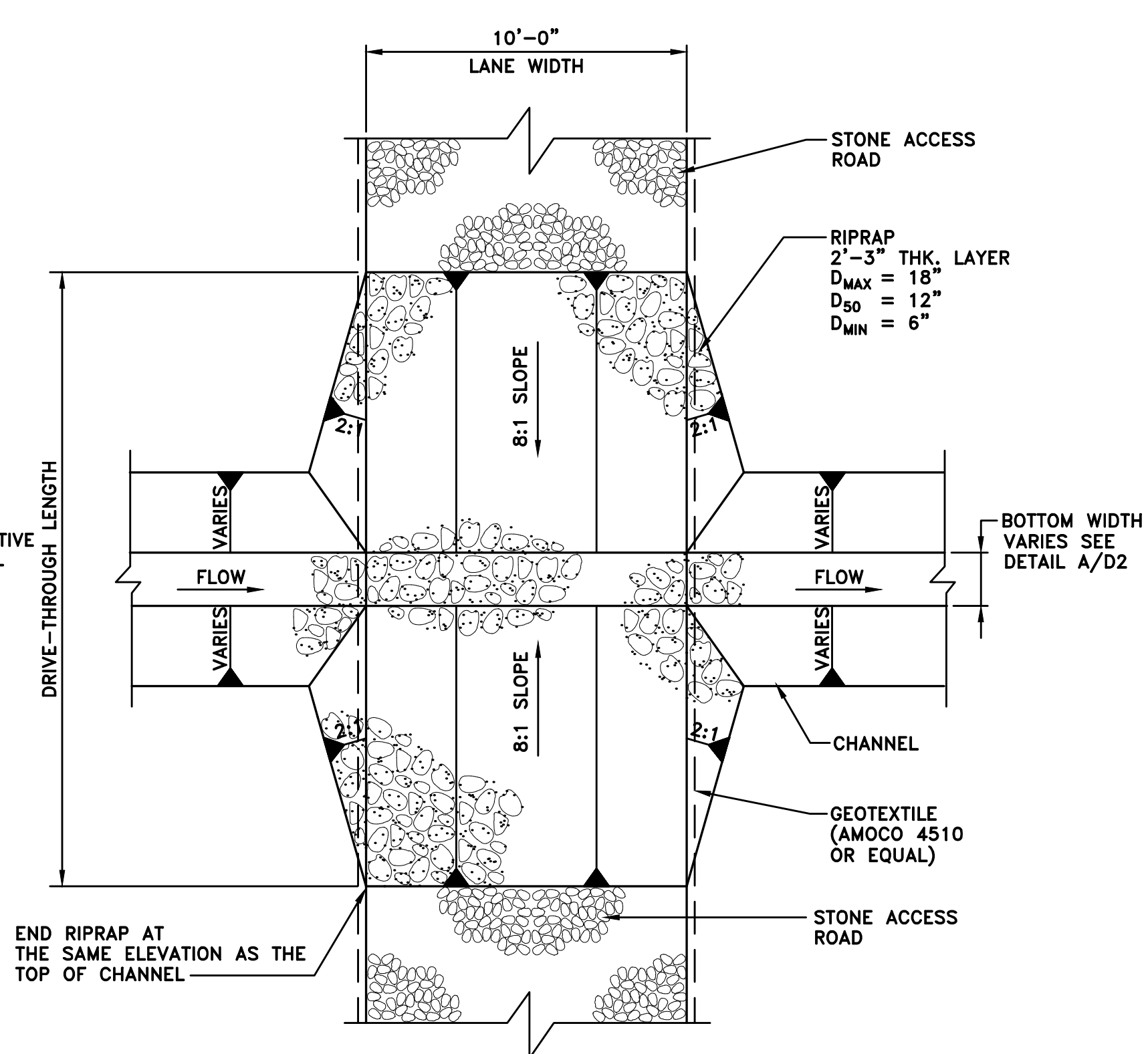
CHANNEL	TYPE	LINING	BEG STA	END STA	LENGTH	A	B	C	Z
A	2	RR	0+00	0+10.90	10.90	4	1.5	10	2
A	N/A	(3) 12" HDPE PIPES	0+10.90	0+38.90	28.00	N/A	N/A	N/A	N/A
A	2	RR	0+38.90	1+22.77	83.87	4	1.5	10	2
A	2	RR	1+22.77	1+32.77	10	4	TRANS.	TRANS.	2
A	2	RR	1+32.77	1+82.58	49.81	4	1.0	8	2
A	2	RR	1+82.58	1+92.58	10	4	TRANS.	TRANS.	2
A	2	RR	1+92.58	3+35	142.42	4	1.5	10	2
B	2	RR	0+00	0+20.76	20.76	4	2.0	12	2
B	2	RR	0+20.76	0+30.76	10	TRANS.	2.0	TRANS.	2
B	2	RR	0+30.76	0+64.67	33.91	0	2.0	8	2
B	2	RR	0+64.67	0+74.67	10	0	2.0	TRANS.	TRANS.
B	2	DRIVE-THROUGH #1	0+74.67	0+88.15	13.48	0	2.0	32	8
B	2	RR	0+88.15	0+98.15	10	0	2.0	TRANS.	TRANS.
B	2	RR	0+98.15	1+20	21.85	0	2.0	8	2
B	1	ECM	1+20	2+55	135	0	2.0	8	2
B	1	ECM	2+55	2+65	10	0	TRANS.	TRANS.	2
B	1	ECM	2+65	5+20	255	0	1.5	6	2
C	1	ECM	0+00	0+05.98	5.98	0	2.0	8	2
C	1	ECM	0+05.98	0+15.98	10	0	2.0	TRANS.	TRANS.
C	2	DRIVE-THROUGH #2	0+15.98	0+28.26	12.28	0	2.0	32	8
C	1	ECM	0+28.26	0+38.26	10	0	2.0	TRANS.	TRANS.
C	1	ECM	0+38.26	3+85	346.74	0	2.0	8	2
D	2	RR	0+00	0+09.94	9.94	4	1.5	10	2
D	2	RR	0+09.94	0+19.94	10	TRANS.	1.5	TRANS.	2
D	2	RR	0+19.94	0+74.40	54.46	0	1.5	6	2
D	2	RR	0+74.40	0+82.30	7.90	0	TRANS.	TRANS.	2
D	2	RR	0+82.30	0+93.34	11.04	0	2.0	TRANS.	TRANS.
D	2	DRIVE-THROUGH #3	0+93.34	1+04.02	10.68	0	2.0	32	8
D	2	RR	1+04.02	1+14.02	10	0	2.0	TRANS.	TRANS.
D	1	ECM	1+14.02	6+15	500.98	0	2.0	8	2
E	2	RR	0+00	0+10	10	0	2.0	8	2
E	1	ECM	0+10	2+45	235	0	2.0	8	2
F	2	RR	0+00	0+26.43	26.43	4	2.0	12	2
F	2	RR	0+26.43	0+36.43	10	4	TRANS.	TRANS.	2
F	2	RR	0+36.43	0+95.84	59.41	4	1.5	10	2
F	2	RR	0+95.84	1+05.84	10	4	TRANS.	TRANS.	TRANS.
F	2	DRIVE-THROUGH #4	1+05.84	1+15.85	10.01	4	2.0	36	8
F	2	RR	1+15.85	1+25.85	10	4	2.0	TRANS.	TRANS.
F	2	RR	1+25.85	1+65	39.15	4	2.0	12	2
G	2	RR	0+00	0+10	10	0	1.5	6	2
G	1	ECM	0+10	0+75	65	0	1.5	6	2

NOTE: IF CHANNEL IS CUT TO BEDROCK, LINING IS REQUIRED ON OUTSIDE SLOPES ONLY. ENTIRE OUTSIDE SLOPE SHALL BE LINED.

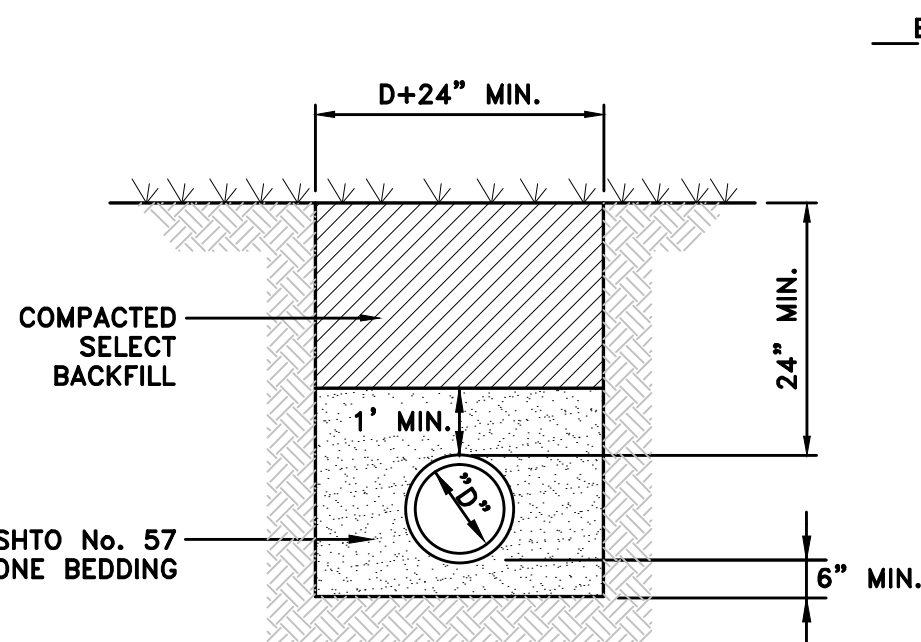
ECM = PERMANENT EROSION CONTROL LINED CHANNEL
 RR = RIPRAP CHANNEL
 TRANS. = TRANSITION

CHANNEL CHART

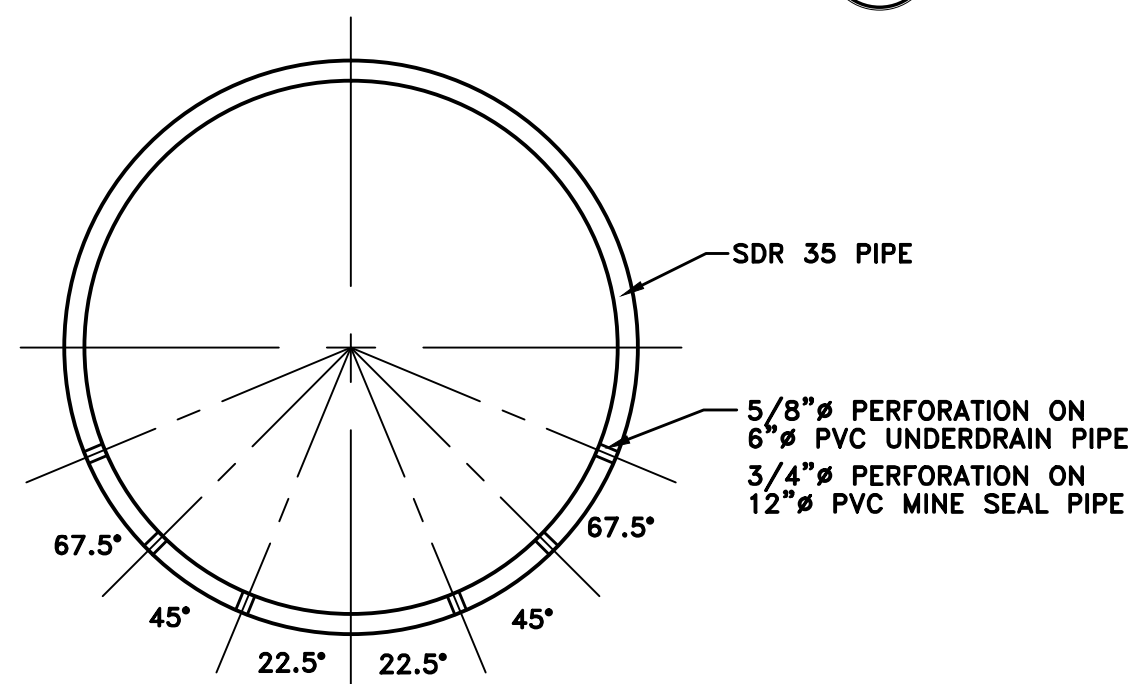
A CHANNEL DETAILS
 NO SCALE



B RIPRAP DRIVE-THROUGH DETAIL
 NO SCALE



C PIPE BEDDING DETAIL
 NO SCALE



NOTES:
 1. ON 6" PVC PIPE ALL PERFORATIONS SHALL BE 5/8" DIAMETER ON 6" C.C. SPACING ALONG LENGTH OF PIPE OR IN LIEU OF ROUND PERFORATIONS, USE SLOTTED PERFORATION WITH EQUIVALENT OPENING AREA.
 2. ON 12" PVC PIPE ALL PERFORATIONS SHALL BE 3/4" DIAMETER ON 12" C.C. SPACING ALONG LENGTH OF PIPE OR IN LIEU OF ROUND PERFORATIONS, USE SLOTTED PERFORATION WITH EQUIVALENT OPENING AREA.
 3. PIPE SHALL BE PLACED WITH PERFORATIONS DOWN.
 4. ALL ANGLES TAKEN FROM VERTICAL.

D PIPE PERFORATION DETAIL
 NO SCALE

1.6" BLACK LETTERS (TYP.) → For Info on NPDES Storm Water Permit
 0.8" BLACK LETTERS (TYP.) → To comment on Sediment Control Plan:
 WHITE BACKGROUND →

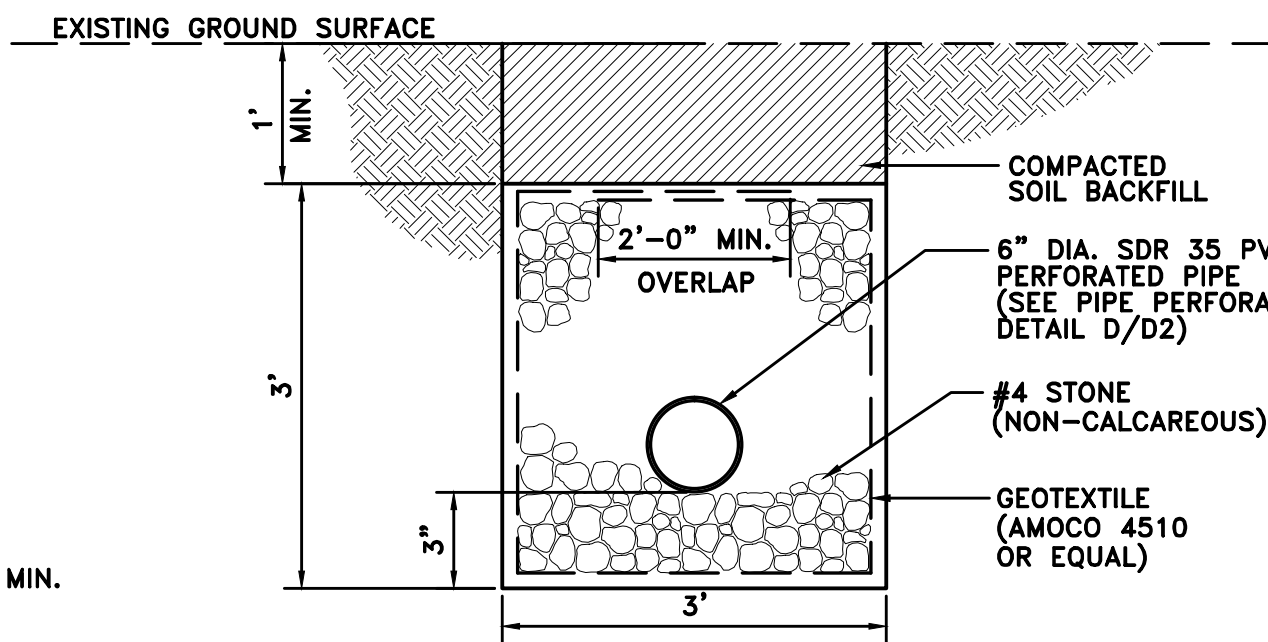
Call: 800-654-5227
 or
 plan@wvdep.gov

DEP 601 57th Street, SE, Charleston WV 25304
 Application date: 2/13/14

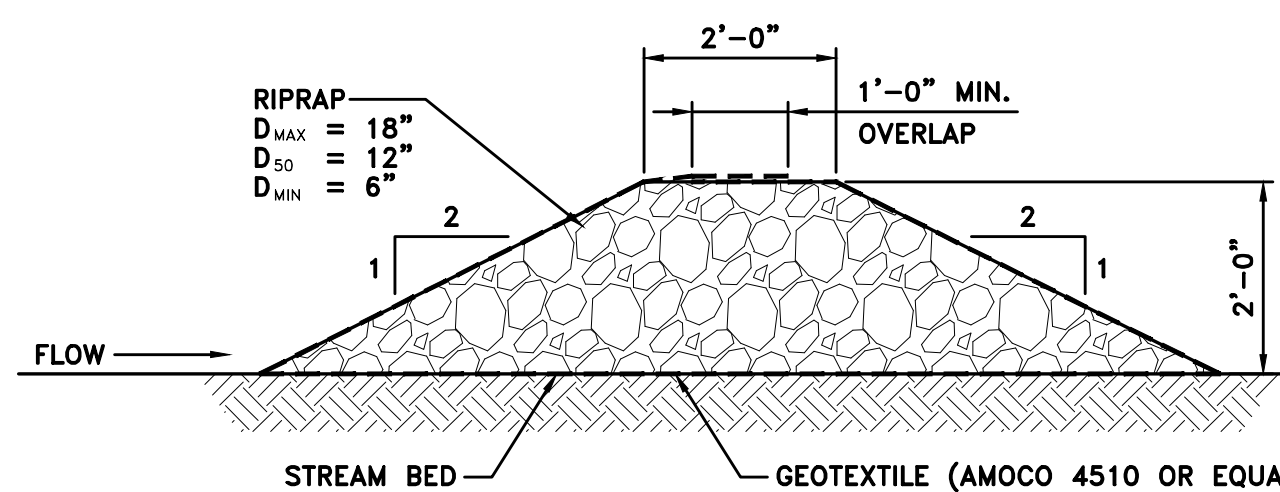
Conley Branch (Whitt) Landslide
 (304) 926-0499

- OWNER SHALL INSTALL SIGN AT THE TIME OF PERMIT APPLICATION. SIGN SHALL BE FABRICATED FROM WEATHERPROOF MATERIAL OR LAMINATED TO PROTECT FROM THE ELEMENTS.
- CONTRACTOR TO MAINTAIN SIGN AT ALL TIMES DURING CONSTRUCTION. SIGN MAY BE RELOCATED TO ACCOMMODATE CONSTRUCTION BUT THE SIGN MUST REMAIN PROMINENTLY DISPLAYED AT ALL TIMES.

E PUBLIC NOTICE SIGN
 NOT TO SCALE (PUB-NOTICE-SIGN.DWG)



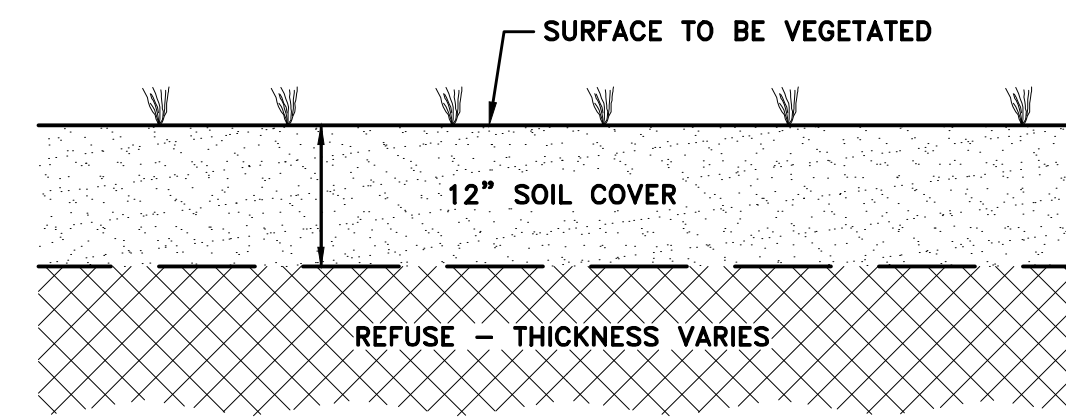
F 6" UNDERDRAIN DETAIL
 NO SCALE



H ROCK CHECK DAM DETAIL
 NO SCALE

- NOTES:
 1. REGRADED OR BARE AREAS WITHIN THE LIMITS OF CONSTRUCTION SHALL RECEIVE A 12" SOIL COVER LAYER.
 2. SOIL COVER THICKNESS UNDER CHANNELS SHALL BE 18" MIN.

G SOIL COVER DETAIL
 NO SCALE



NO.	DATE	REVISION

TERRADON
 Engineering - Surveying - Landscape Architecture
 P.O. Box 519 25143
 Nitro, Virginia
 (304) 755-8291 FAX 755-2836
 www.terradon.com

WEST VIRGINIA DEPARTMENT OF ENVIRONMENTAL PROTECTION
 OFFICE OF ABANDONED MINE LANDS AND RECLAMATION

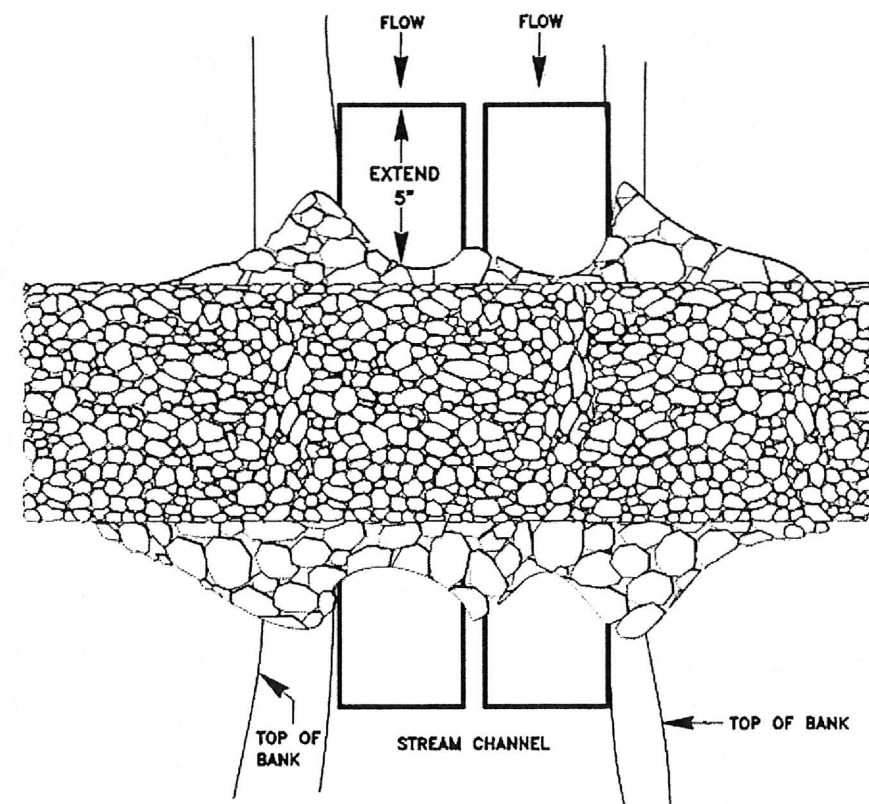
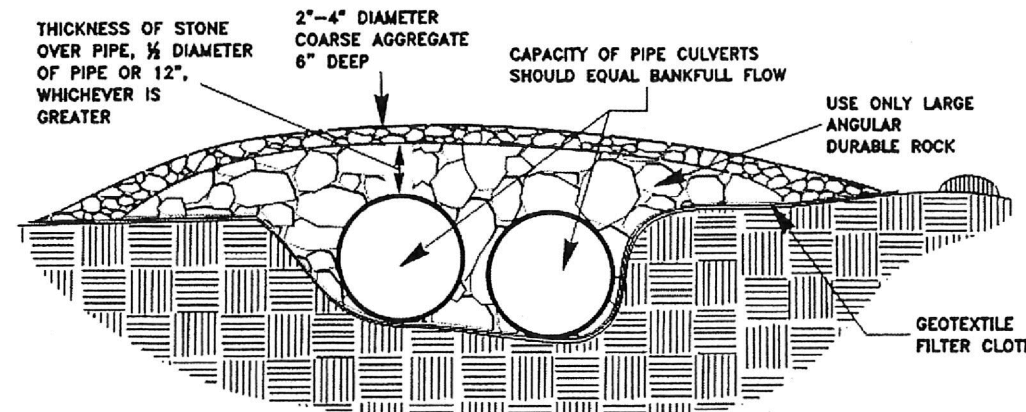
MISCELLANEOUS DETAILS
 CONLEY BRANCH (WHITT) LANDSLIDE
 LOGAN COUNTY, WEST VIRGINIA

Project No. 01-5055-001
 Drawn: WLG
 Checked: EMP
 Approved: WJS
 Scale: NTS
 Date: 2-10-2014
 CAD File # *-MISC-DETAILS

D2

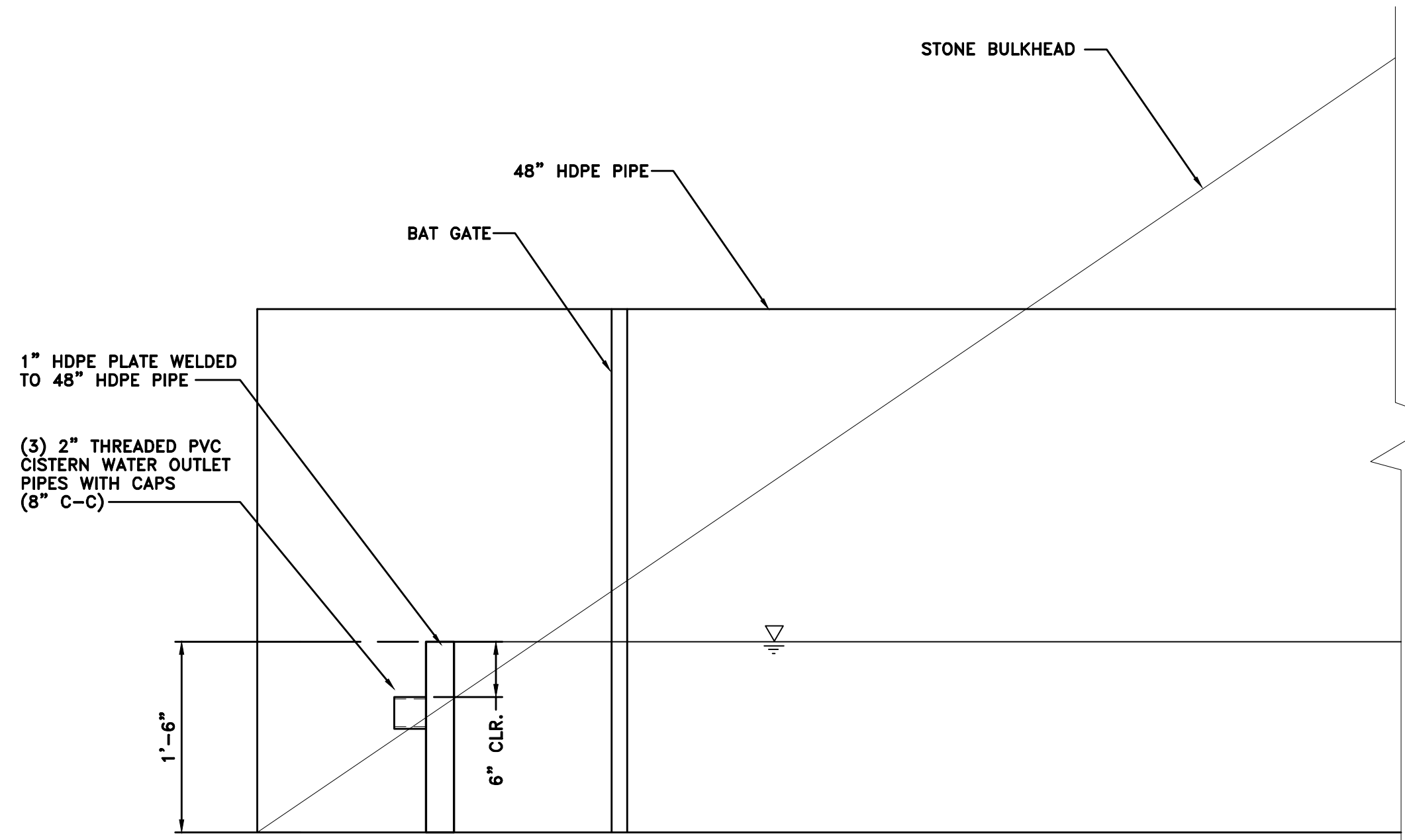
PLOT DATE : 10/15/2014 11:26 AM FILE SAVER BY :BILL.GERENCIOR ON 10/15/2014 10:53 AM P:\2013\01-5055-001 CONLEY BRANCH (WHITT) LANDSLIDE\40-TRANS-AML\AML.DWG (PRODUCT)M\SP\01-5055-001-DETAILS.DWG

TRAFFIC CONTROL NOTE:
 CONTRACTOR TO USE CASE A6 FROM THE "MANUAL ON TEMPORARY TRAFFIC CONTROL FOR STREETS AND HIGHWAYS", 2006 EDITION. CONTRACTOR MUST PROVIDE ACCESS FOR RESIDENTS AT ALL TIMES DURING CONSTRUCTION. CONTRACTOR MAY NOT "LANDLOCK" RESIDENTS DURING CONSTRUCTION.

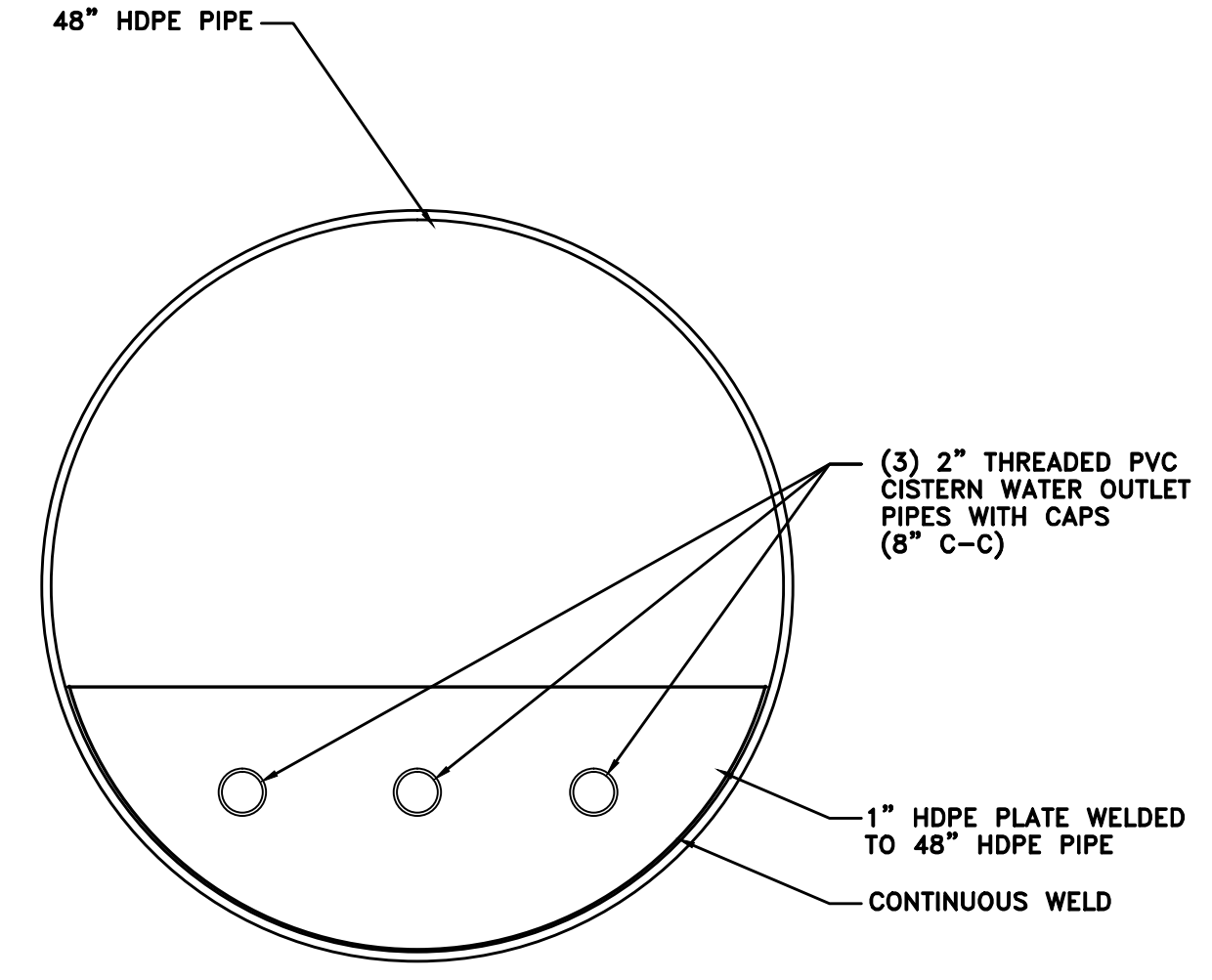


- NOTES:**
1. ALL PIPES AND STONE FOR TEMPORARY PIPE AROUND ARE TO BE REMOVED FROM STREAM AT THE COMPLETION OF CONSTRUCTION.
 2. ALL TEMPORARY PIPE CONFIGURATIONS MUST HAVE A TOTAL CROSS SECTIONAL AREA OF 22 SQ. FT. (MIN.) AND CONSIST OF TWO CULVERTS (MIN.).

(A) TEMPORARY PIPE AROUND DETAIL
 NO SCALE



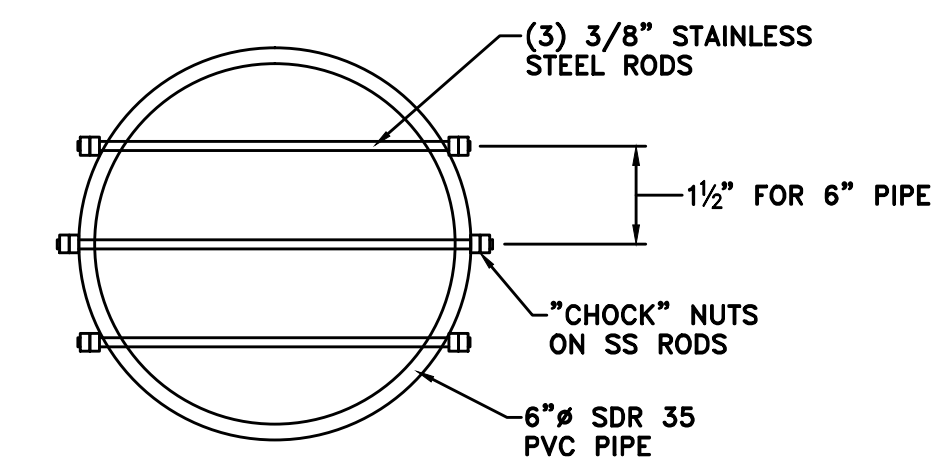
RIGHT SIDE VIEW



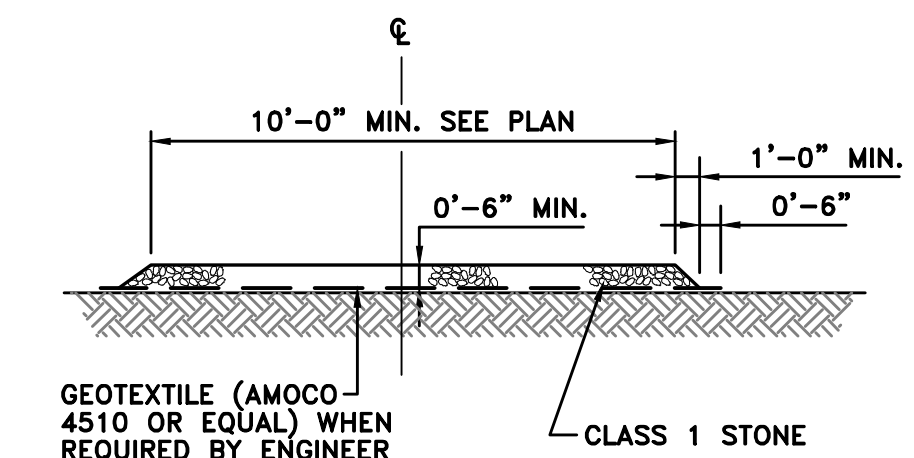
END VIEW

- NOTES:**
1. PVC CAPS ARE TO BE INSTALLED ON OUTSIDE OF CISTERN FOR WATERLINE TAP BY PROPERTY OWNERS.
 2. CONTRACTOR TO COORDINATE WATERLINE TAP WITH PROPERTY OWNERS UPON COMPLETION OF PROJECT.
 3. PROPERTY OWNERS ARE RESPONSIBLE FOR RUNNING WATERLINE TO CISTERN LOCATION AND MAKING CONNECTION.
 4. TYPICAL FOR BOTH 48" HDPE PIPES.

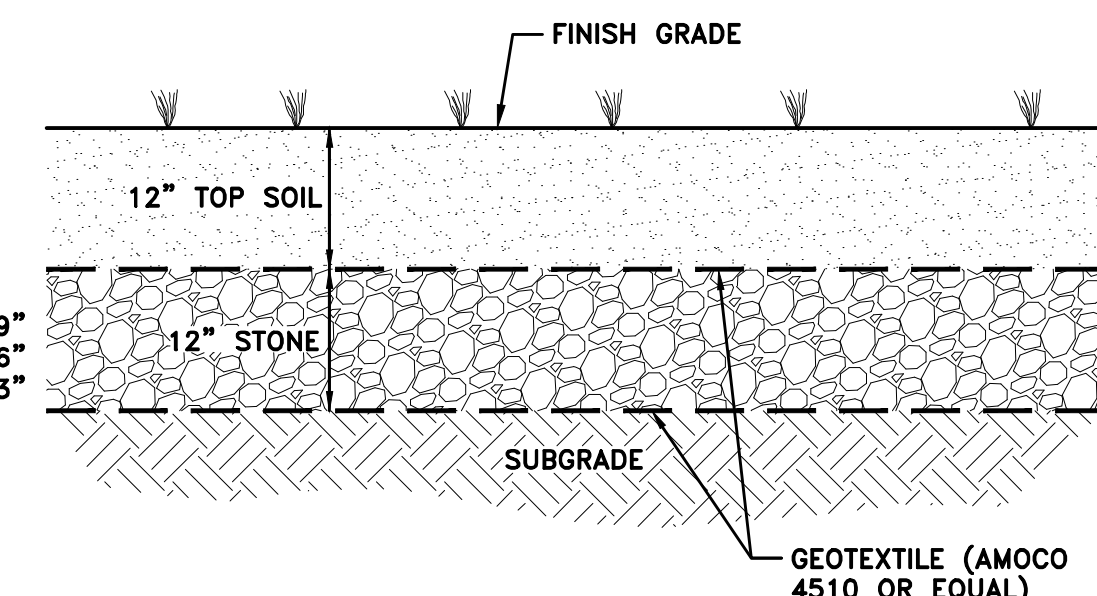
(C) CISTERN COLLECTOR PLATE DETAIL
 NO SCALE



(F) 6" ANIMAL BARRIER DETAIL
 NO SCALE

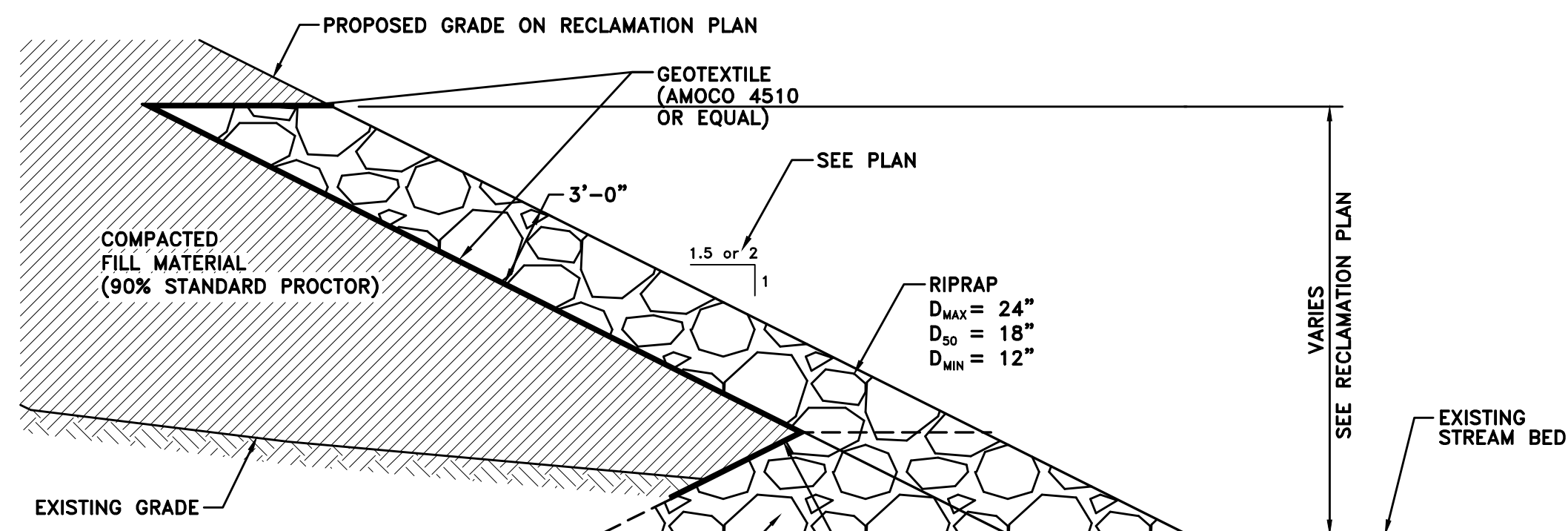


(G) ACCESS ROAD RESURFACING DETAIL
 NO SCALE



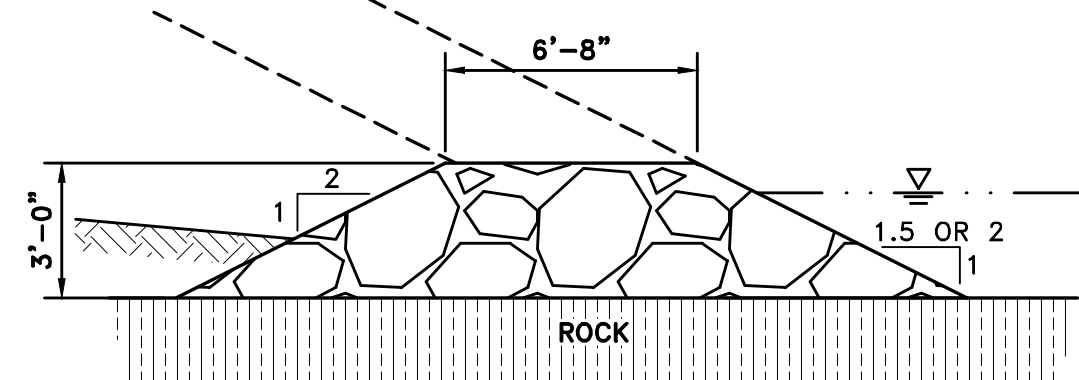
- NOTES:**
- UNDERCUT 1' IN AREAS OF WET MATERIAL, STOCK PILE, AND ALLOW TO DRY BEFORE BEING RESPREAD OVER 12" STONE LAYER AS TOPSOIL.

(H) ROCK BLANKET DETAIL
 NO SCALE

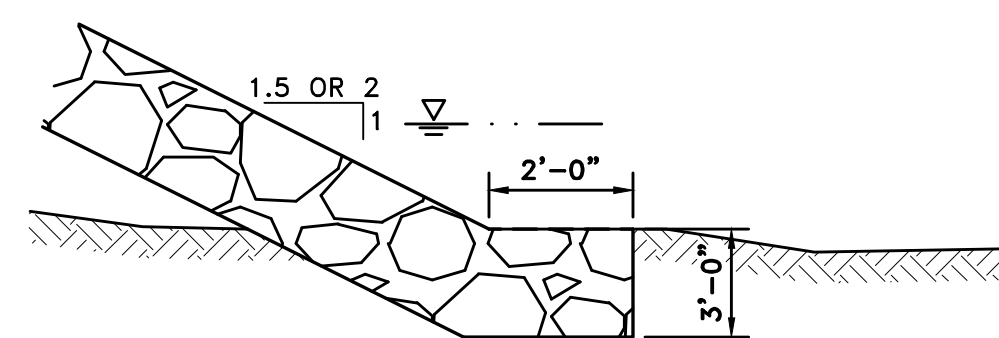


TYPE 1 STARTER BERM TO BE USED WHERE ROCK IS ENCOUNTERED AT A DEPTH OF LESS THAN 18 INCHES, OTHERWISE SEE TYPE 2 DETAIL

TYPE 2 STARTER BERM TO BE USED WHERE ROCK IS NOT ENCOUNTERED AT TOE OF EMBANKMENT. SEE DETAIL

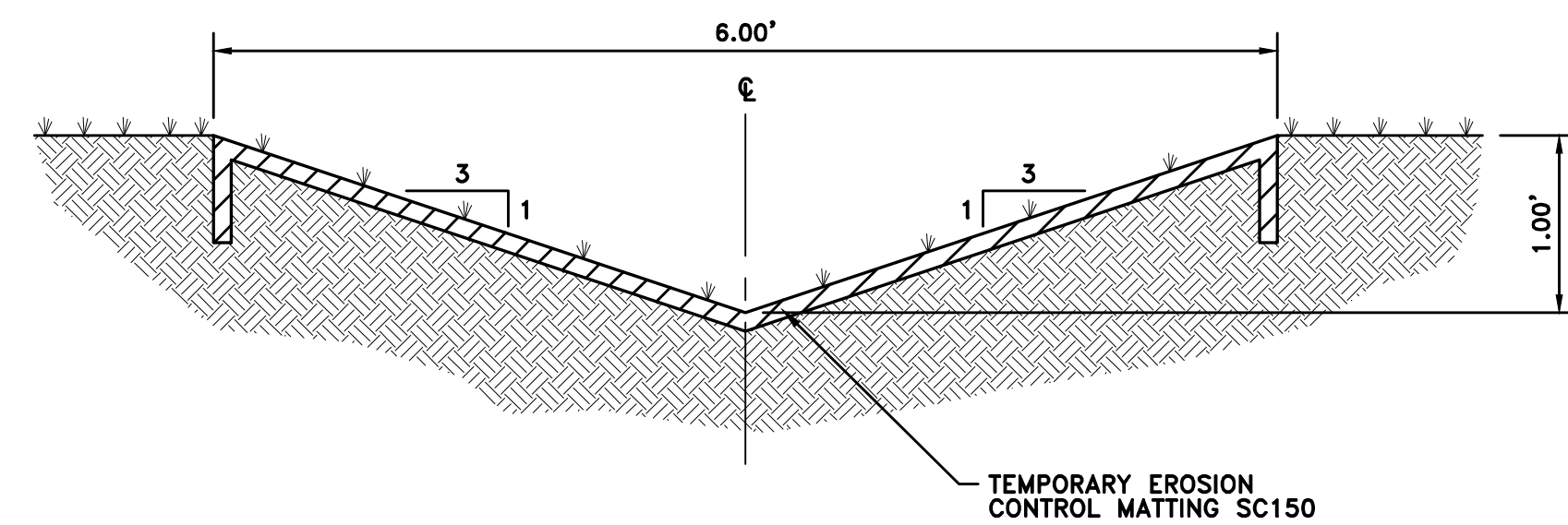


TYPE 1 STARTER BERM DETAIL
 NO SCALE

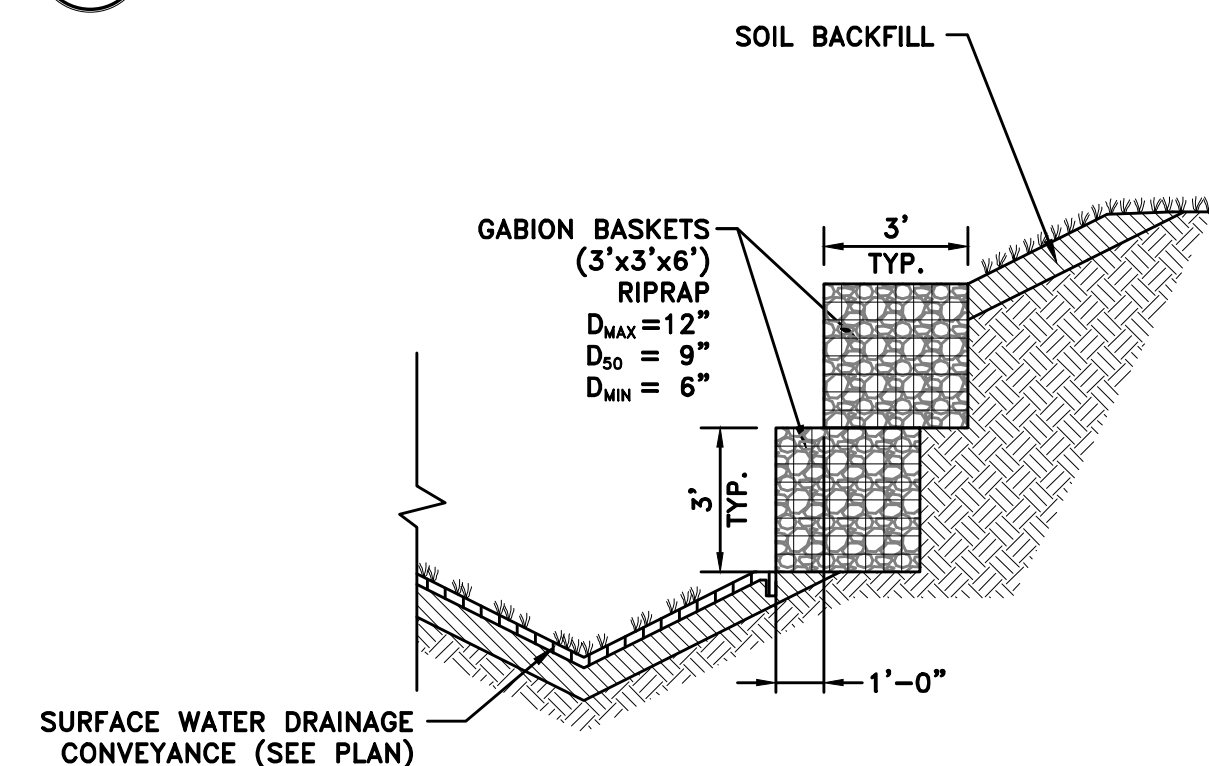


TYPE 2 STARTER BERM DETAIL
 NO SCALE

(B) RIPRAP BANK PROTECTION DETAIL
 NO SCALE



(D) GRASS LINE WATERWAY DETAIL
 NO SCALE



(E) GABION BASKET DETAIL
 NO SCALE

NO.	DATE	REVISION

TERRADON
 Engineering - Surveying - Landscape Architecture
 P.O. Box 519 25143
 Nitro, Virginia
 (304) 755-8291 FAX 755-2836
 www.terradon.com

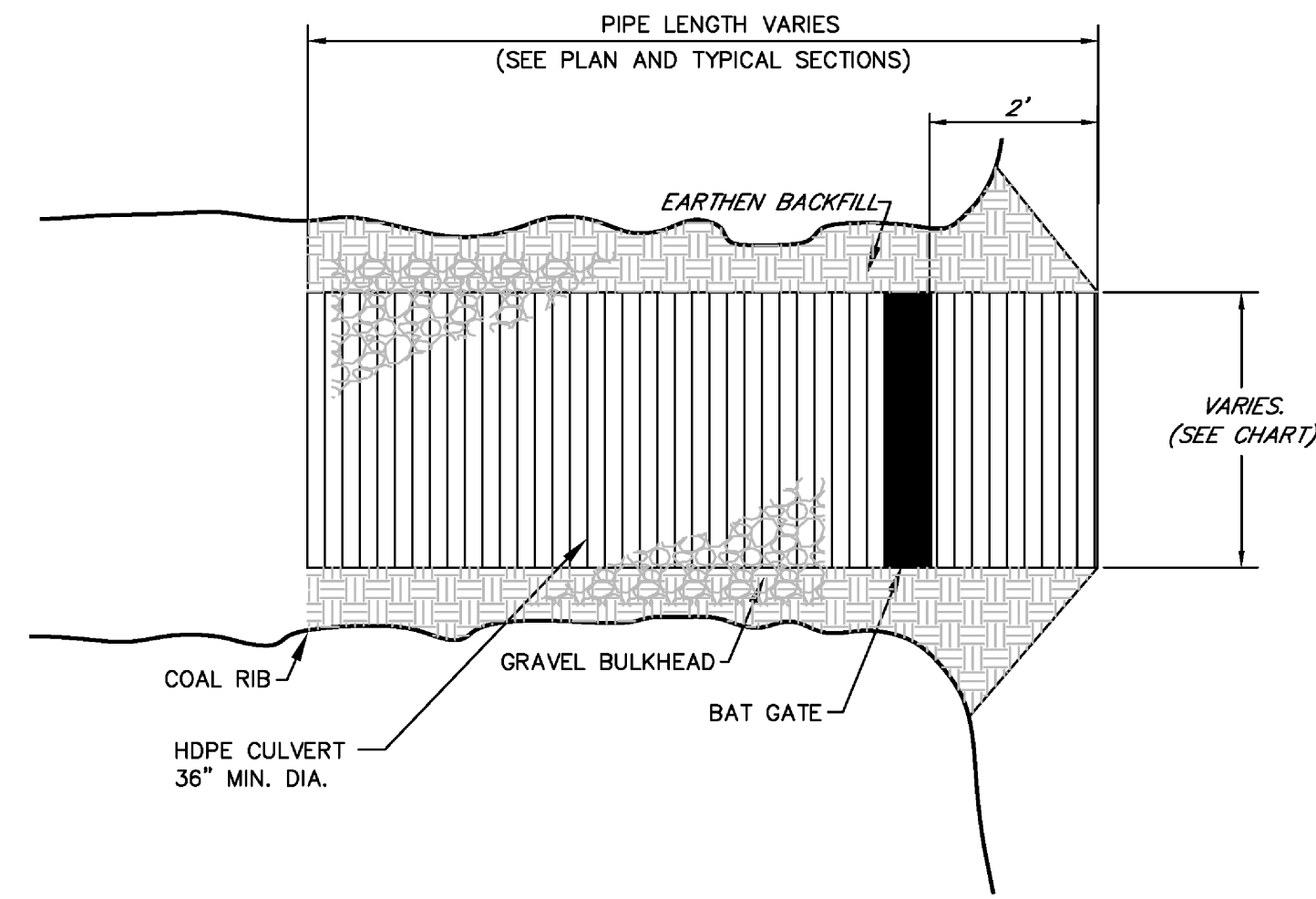
WEST VIRGINIA DEPARTMENT OF ENVIRONMENTAL PROTECTION
 OFFICE OF ABANDONED MINE LANDS AND RECLAMATION
 MISCELLANEOUS DETAILS
 CONLEY BRANCH (WHITT) LANDSLIDE
 LOGAN COUNTY, WEST VIRGINIA

Project No. 01-5055-001
 Drawn: WLG
 Checked: EMP
 Approved: WJS
 Scale: NTS
 Date: 4-28-2014
 CAD File # *-MISC-DETAILS

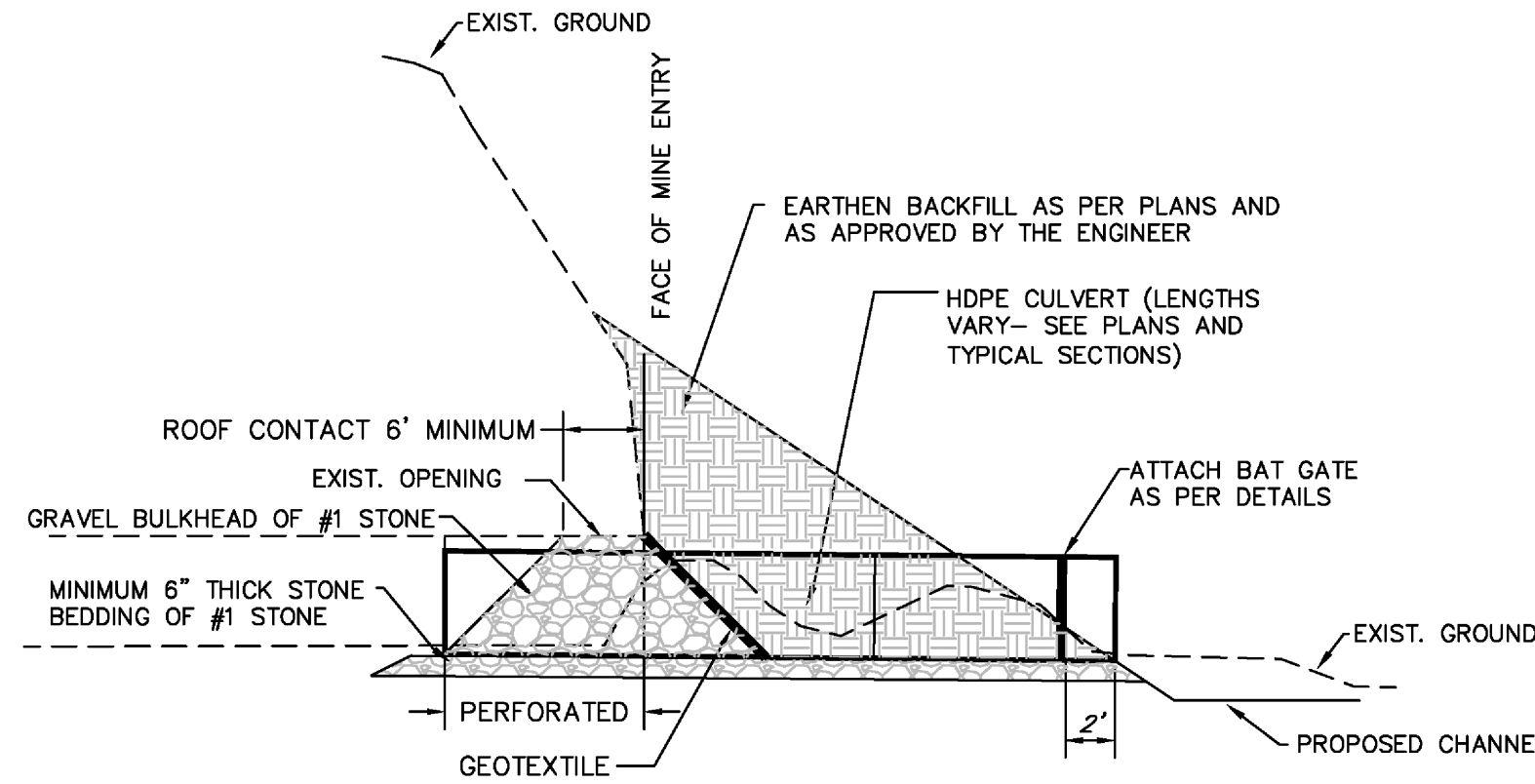
D3

PLOT DATE : 4/28/2014 1:53 PM FILE SAVED BY :BILL.GERENCIOR ON 4/28/2014 1:52 PM P:\2013\01-5055-001 CONLEY BRANCH (WHITT) LANDSLIDE\40-TRANS-AML\DWG\PRODUCTION\SP\01-5055-001-DETAILS.DWG

PLOT DATE : 2/7/2014 4:10 PM FILE SAVED BY :BILL.GERENCIOR ON 2/7/2014 3:23 PM P:\2013\01-5055-001-CONLEY BRANCH (WHITT) LANDSLIDE\40-TRANS-AML\DWG\PRODUCTION\SP\01-5055-001-DETAILS.DWG

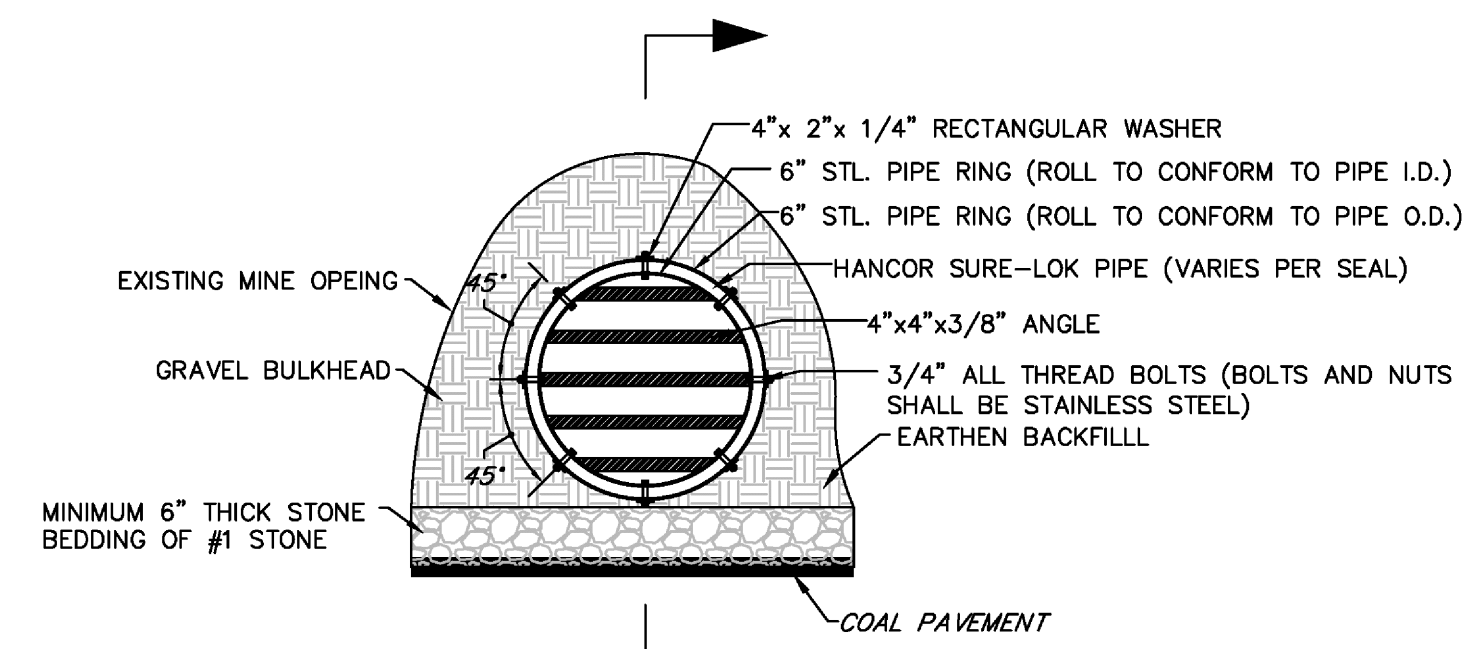


PLAN

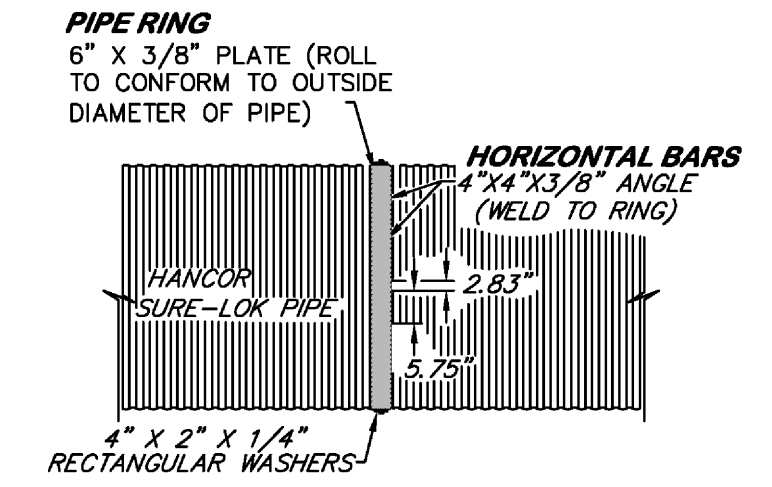


THE HDPE CULVERT SHALL BE INSTALLED AT A 2% MINIMUM GRADE, TYPICAL OF ALL.

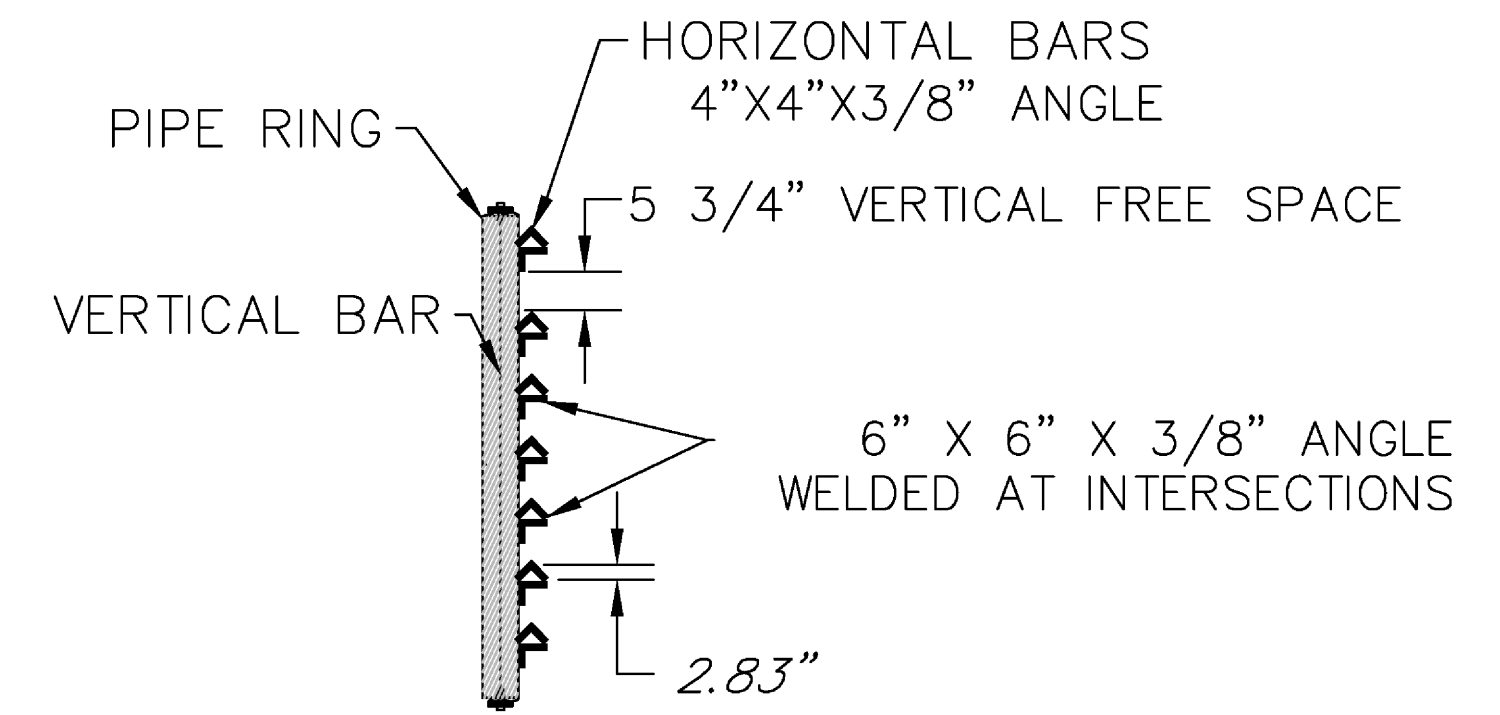
A **BAT GATE MINE SEAL**
TYPICAL CONSTRUCTION DETAILS
NO SCALE (APPLICABLE TO ALL BAT GATES)



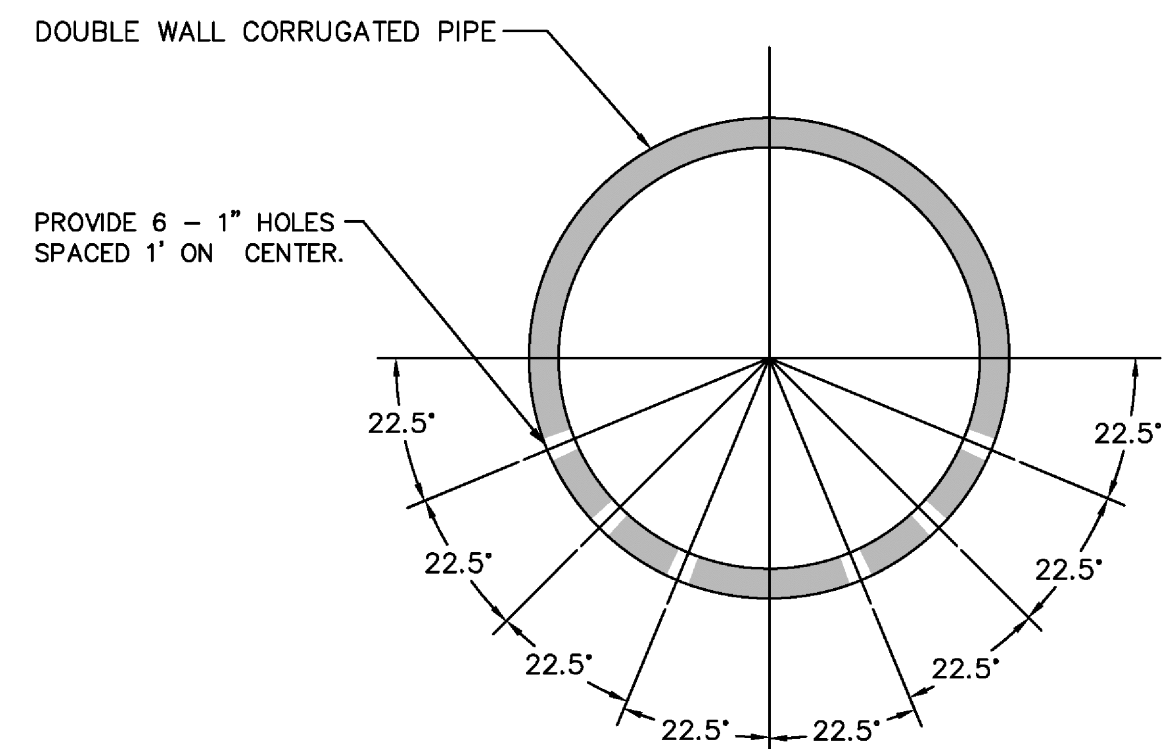
END VIEW



PIPE RING SECTION

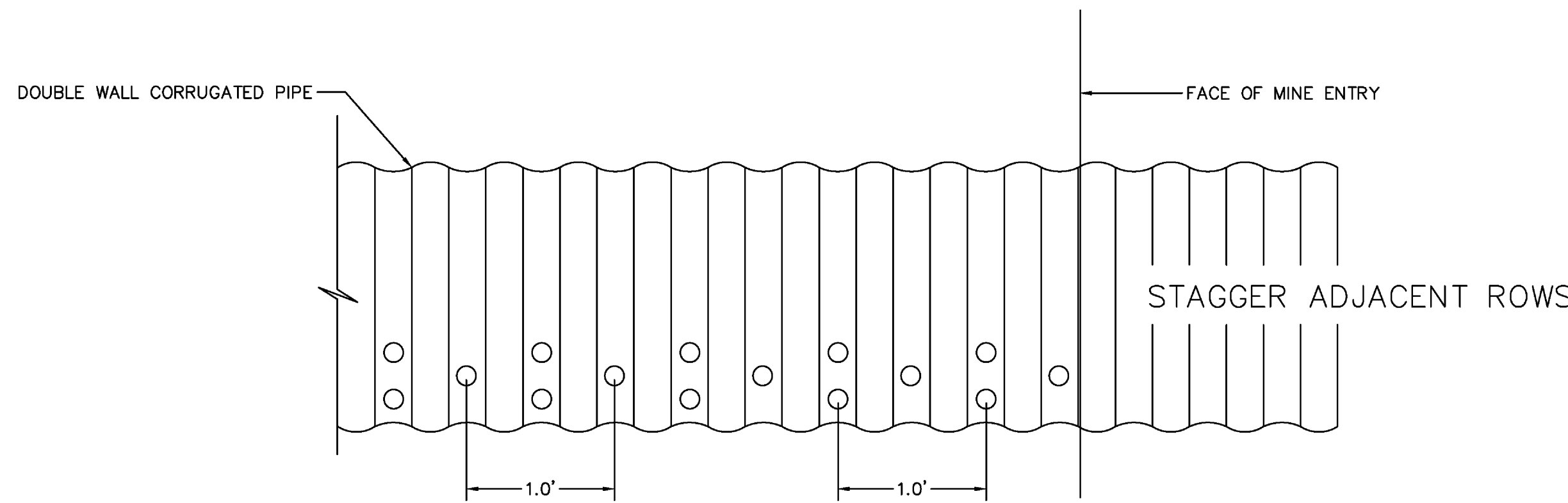


VERTICAL BAR SIDE VIEW



NOTE: PERFORATE ON PIPE WALLS NOT ON RIBS.

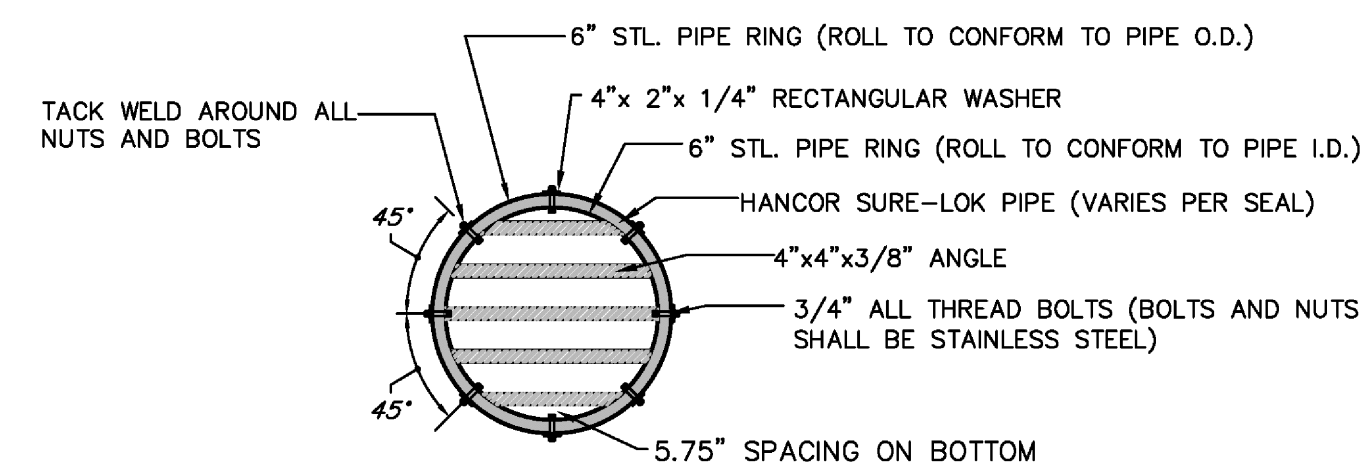
PERFORATION DETAIL



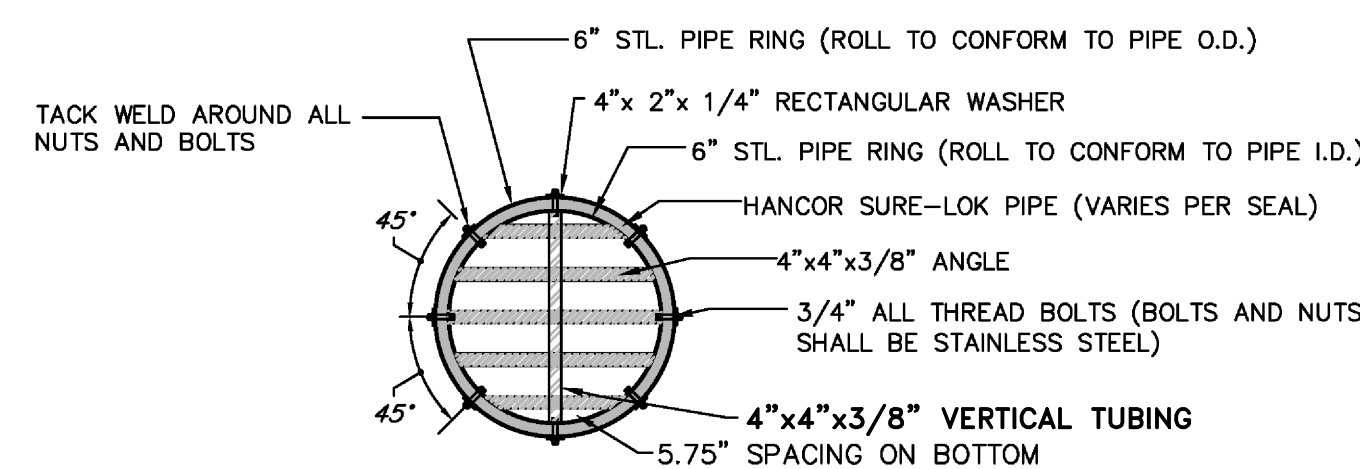
NOTE: PERFORATE ON PIPE WALLS NOT ON RIBS.

CONLEY BRANCH (WHITT) LANDSLIDE							
BAT GATE SIZING CHART							
PORTAL #	EXISTING OPENING		EXISTING OPENING		PROPOSED PIPE	PROPOSED #	PROPOSED OPENING
	SIZE (FT.)	AREA (SQ. FT.)	SIZE (IN.)	PIPES	AREA (SQ. FT.)		
	WIDTH	HEIGHT					
1	12	X	6	72.00	48	2	25.13
2	3	X	1.5	4.50	36	1	7.07

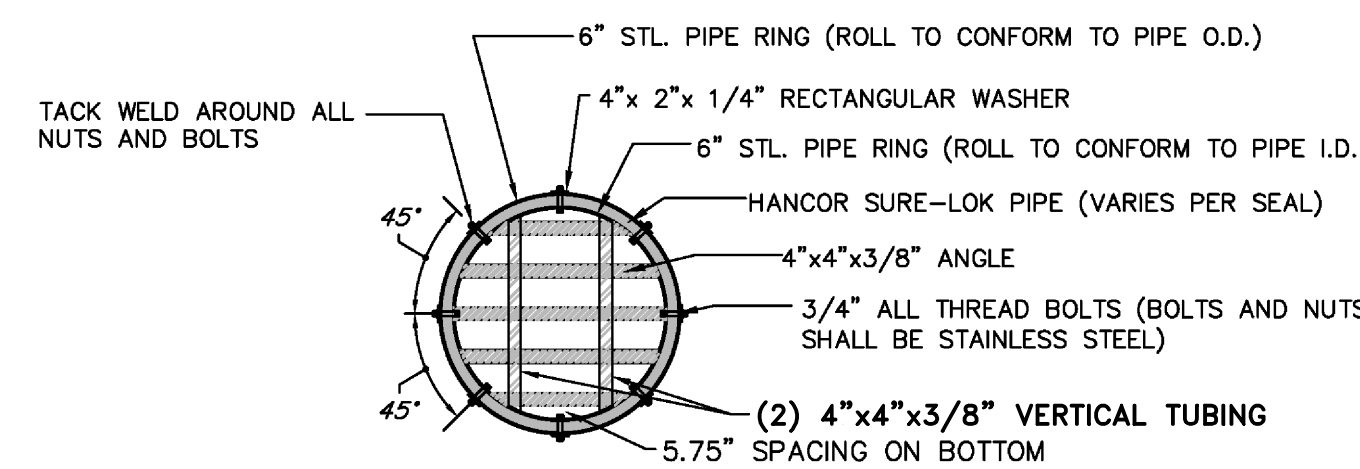
B **BAT GATE SIZING CHART**
NO SCALE



GATE DETAIL
(CULVERT 36"-42" DIA)



GATE DETAIL
(CULVERT 48"-60")



GATE DETAIL
(CULVERT GREATER THAN 60" DIA)

NO. DATE REVISION

TERRADON
CORPORATION
Engineering - Surveying - Landscape Architecture
P.O. Box 519
Nitro, Virginia 25143
(304) 755-8291 FAX 755-2836
www.terradon.com

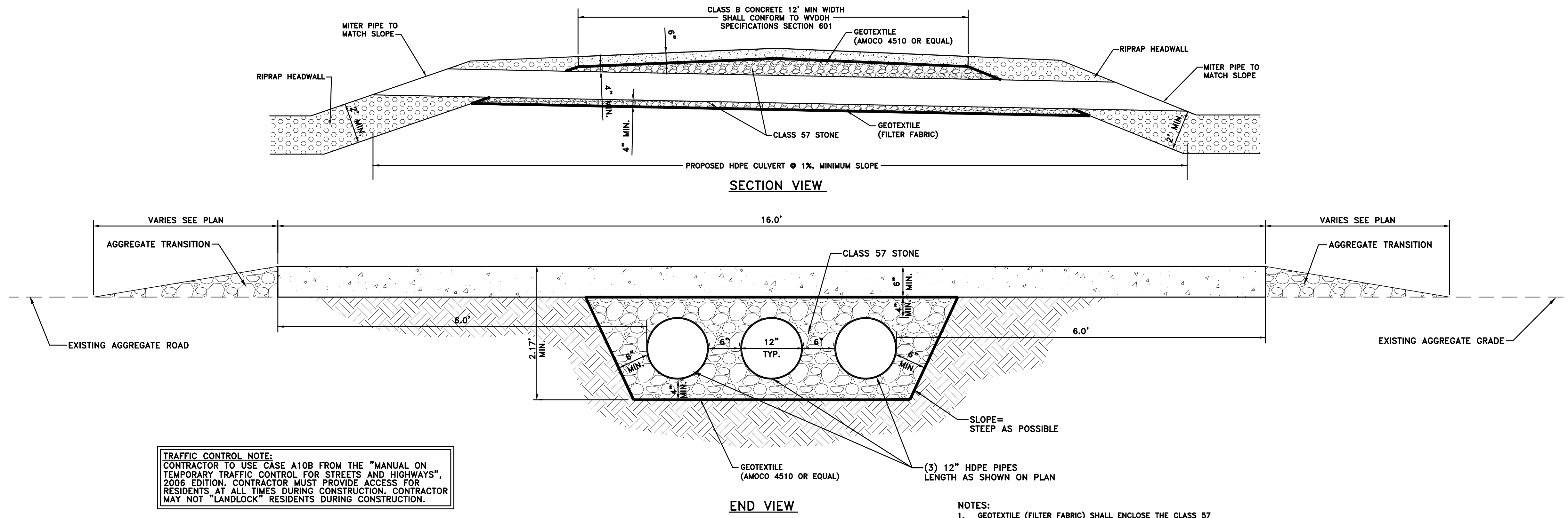
WEST VIRGINIA DEPARTMENT OF ENVIRONMENTAL PROTECTION
OFFICE OF ABANDONED MINE LANDS AND RECLAMATION

MISCELLANEOUS DETAILS
CONLEY BRANCH (WHITT) LANDSLIDE
LOGAN COUNTY, WEST VIRGINIA

Project No. 01-5055-001
Drawn: WLG
Checked: EMP
Approved: WJS
Scale: NTS
Date: 2-10-2014
CAD File # *-MISC-DETAILS

D4

PLOT DATE : 4/16/2014 3:34 PM FILE SAVED BY :BILL.GERENCIOR ON 4/16/2014 3:34 PM P:\2013\01-5055-001 CONLEY BRANCH (WHITT) LANDSLIDE\40-TRANS-AML\DWG\PRODUCTION\SP\01-5055-001-DETAILS.DWG



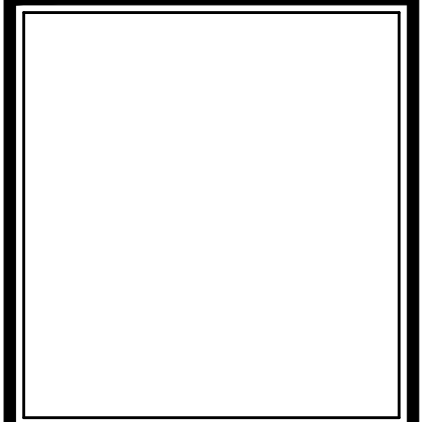
TRAFFIC CONTROL NOTE:
 CONTRACTOR TO USE CASE A10B FROM THE "MANUAL ON TEMPORARY TRAFFIC CONTROL FOR STREETS AND HIGHWAYS", 2008 EDITION. CONTRACTOR MUST PROVIDE ACCESS FOR RESIDENTS AT ALL TIMES DURING CONSTRUCTION. CONTRACTOR MAY NOT "LANDLOCK" RESIDENTS DURING CONSTRUCTION.

NOTES:
 1. GEOTEXTILE (FILTER FABRIC) SHALL ENCLOSE THE CLASS 57 STONE SURROUNDING THE DRAINAGE PIPE WITH A 2' MINIMUM OVERLAP AT ALL SEAMS.

A PERMANENT STREAM CROSSING DETAIL
 NO SCALE

NO.	DATE	REVISION

TERRADON CORPORATION
 Engineering - Surveying - Landscape Architecture
 P.O. Box 519 25143
 Nitro, West Virginia 25143
 (304) 755-8291 FAX 755-2836
 www.terradon.com



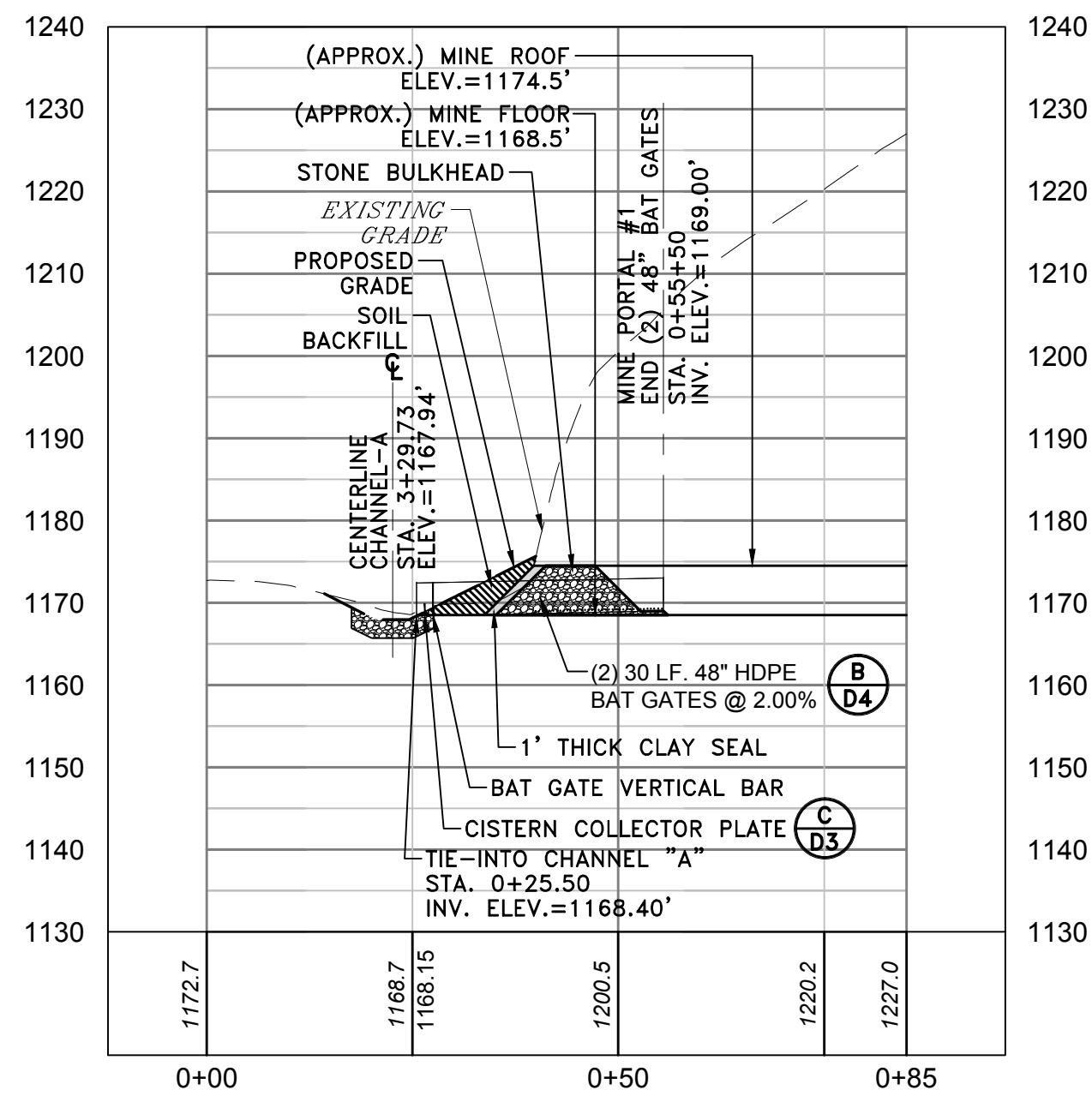
WEST VIRGINIA DEPARTMENT OF ENVIRONMENTAL PROTECTION
 OFFICE OF ABANDONED MINE LANDS AND RECLAMATION

MISCELLANEOUS DETAILS
 CONLEY BRANCH (WHITT) LANDSLIDE
 LOGAN COUNTY, WEST VIRGINIA

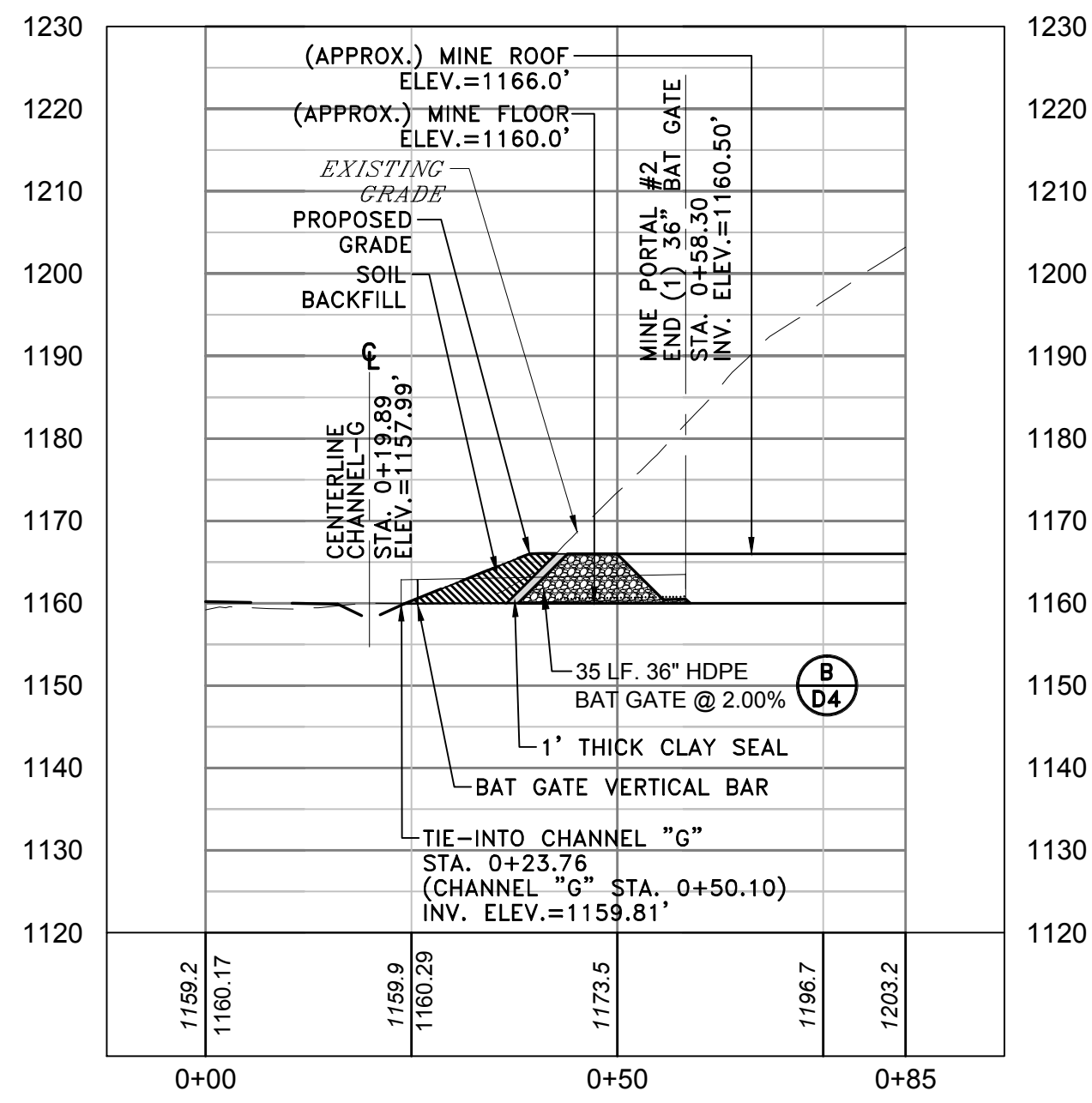
Project No.	01-5055-001
Drawn:	WLG
Checked:	EMP
Approved:	WJS
Scale:	NTS
Date:	4-16-2014
CAD File #	*-MISC-DETAILS

D5

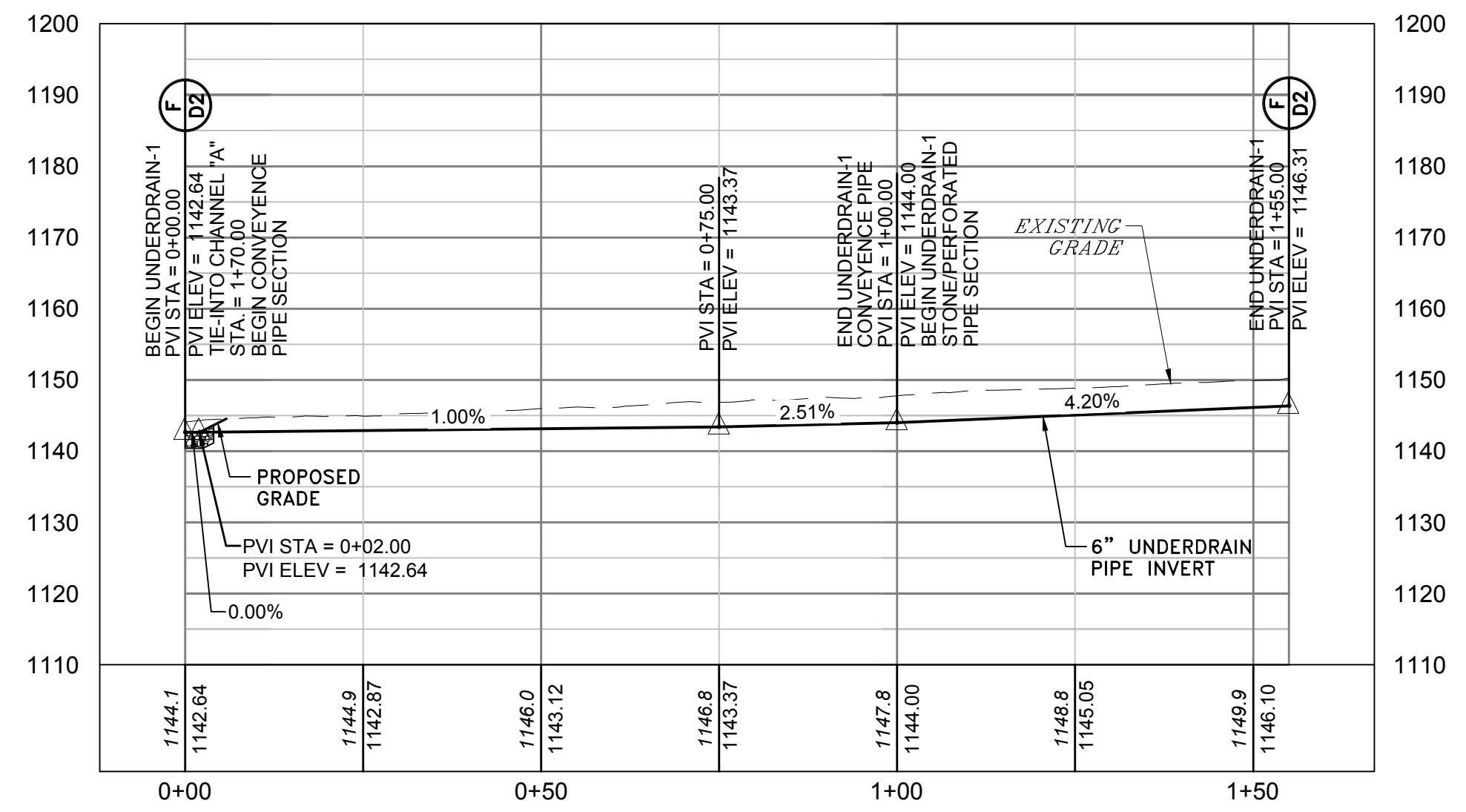
PLOT DATE : 2/7/2014 4:55 PM FILE SAVED BY :BILL.GERENCIOR ON 2/7/2014 4:37 PM P:\2013\01-5055-001 CONLEY BRANCH (WHITT) LANDSLIDE\40-TRANS-AML\DWG\PRODUCTION\SP\01-5055-001-PROFILES.DWG



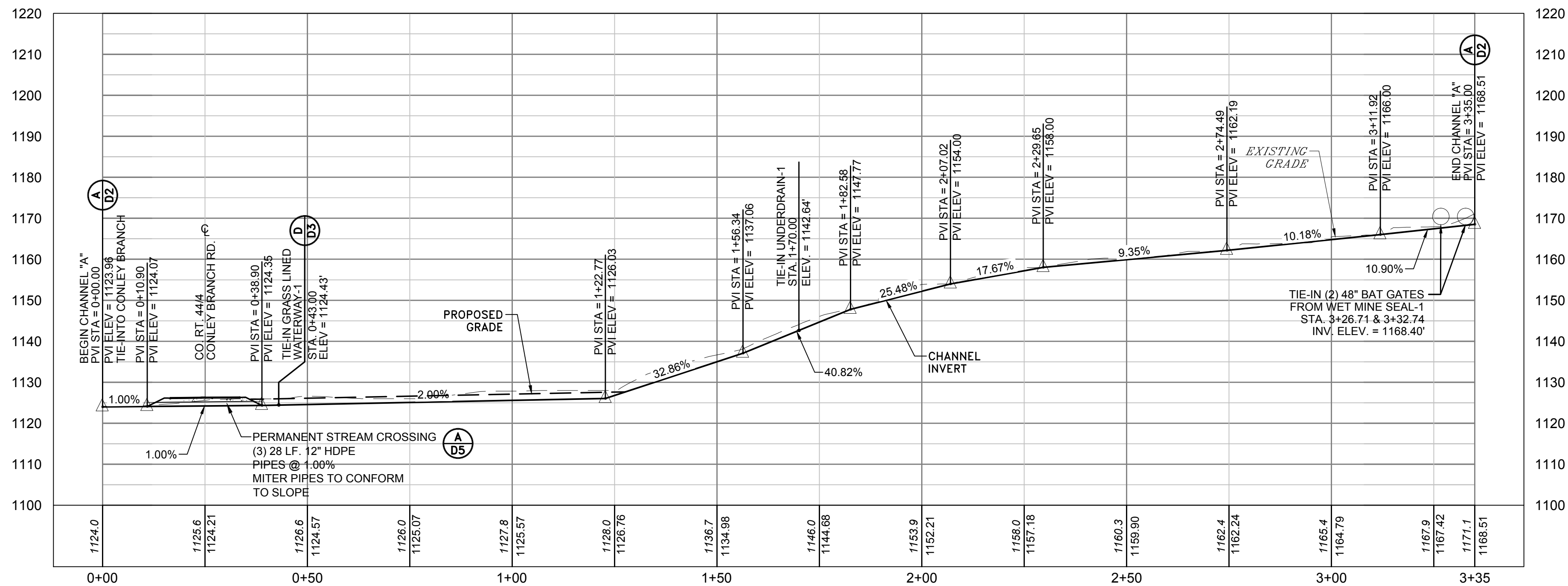
WET BAT GATE MINE SEAL-1 PROFILE
(A) STA. 0+00 TO STA. 0+85
 SCALE: 1" = 20' H&V



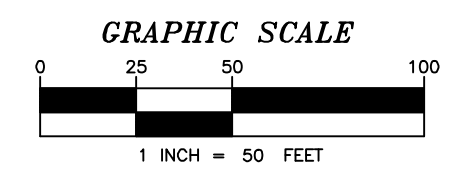
BAT GATE MINE SEAL-2 PROFILE
(B) STA. 0+00 TO STA. 0+85
 SCALE: 1" = 20' H&V



UNDERDRAIN-1 PROFILE
(C) STA. 0+00 TO STA. 1+55
 SCALE: 1" = 20' H&V



CHANNEL-A PROFILE
(D) STA. 0+00 TO STA. 3+35
 SCALE: 1" = 20' H&V



NO.	DATE	REVISION

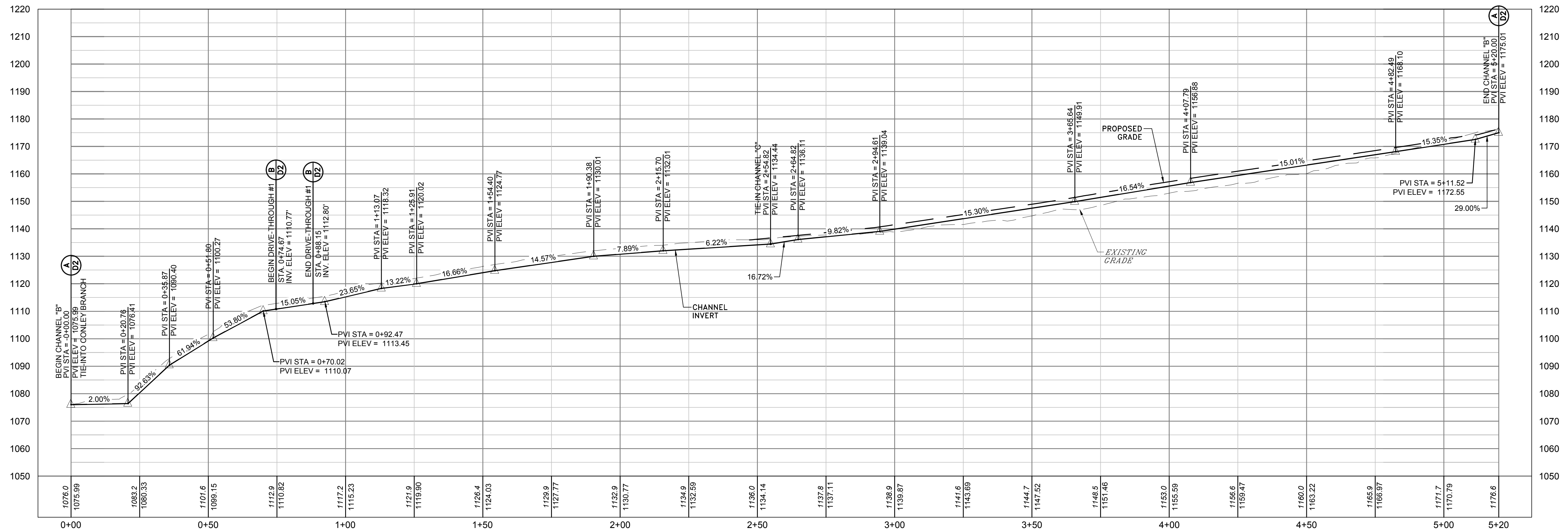
TERRADON CORPORATION
 Engineering - Surveying - Landscape Architecture
 P.O. Box 519
 Nitro, West Virginia 25143
 (304) 755-8291 FAX 755-2636
 www.terradon.com

WEST VIRGINIA DEPARTMENT OF ENVIRONMENTAL PROTECTION
 OFFICE OF ABANDONED MINE LANDS AND RECLAMATION
MINE SEAL, UNDERDRAIN & CHANNEL PROFILES
 CONLEY BRANCH (WHITT) LANDSLIDE
 LOGAN COUNTY, WEST VIRGINIA

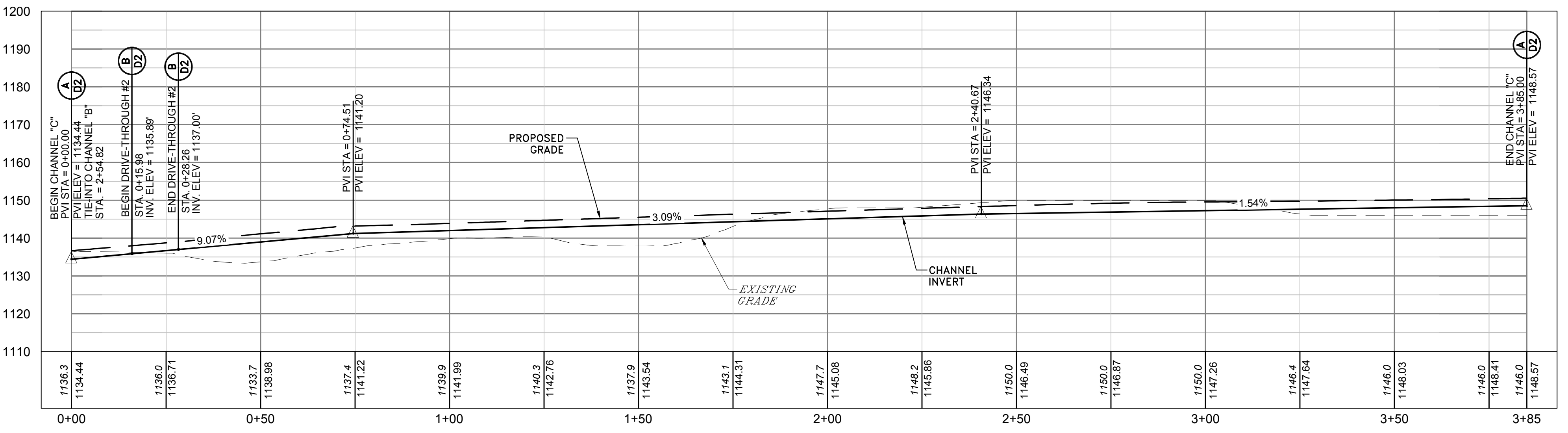
Project No.	01-5055-001
Drawn:	WLG
Checked:	EMP
Approved:	WJS
Scale:	1"=20' H&V
Date:	2-10-2014
CAD File #	*-PROFILES

P1

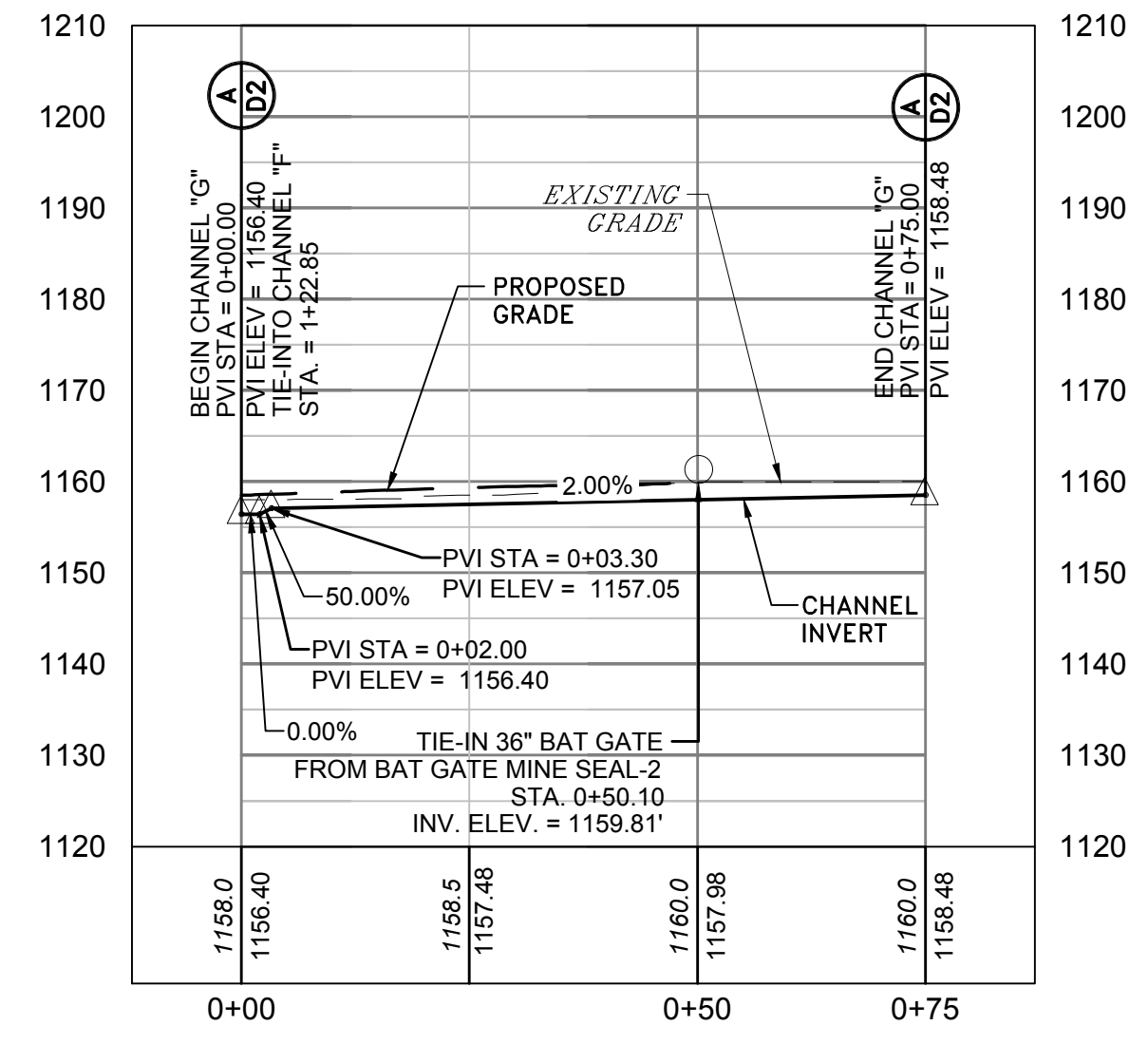
PLOT DATE : 2/7/2014 4:56 PM FILE SAVED BY : BILL GERENCIOR ON 2/7/2014 4:56 PM P:\2013\01-5055-001 CONLEY BRANCH (WHITT) LANDSLIDE\40-TRANS-AML\DWG\PRODUCTION\SP\01-5055-001-PROFILES.DWG



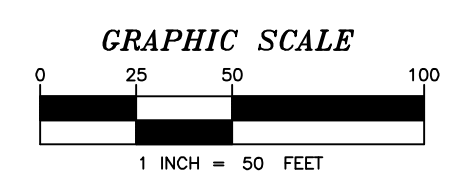
CHANNEL-B PROFILE
A STA. 0+00 TO STA. 5+20
 SCALE: 1" = 20' H&V



PLOT DATE : 2/7/2014 5:18 PM FILE SAVED BY :BILL.GERENCIOR ON 2/7/2014 4:56 PM P:\2013\01-5055-001-CONLEY BRANCH (WHITT) LANDSLIDE\40-TRANS-AML\DWG\PRODUCTION\SP\01-5055-001-PROFILES.DWG

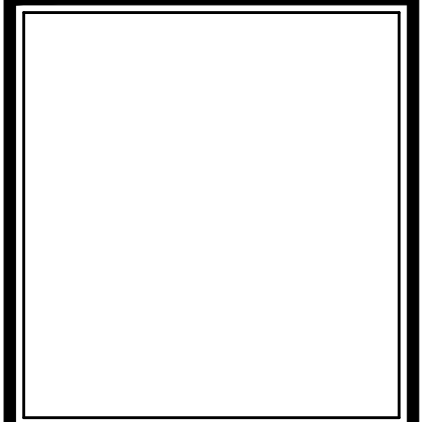


CHANNEL-G PROFILE
STA. 0+00 TO STA. 0+75
 SCALE: 1" = 20' H&V



NO.	DATE	REVISION

TERRADON CORPORATION
 Engineering - Surveying - Landscape Architecture
 P.O. Box 519
 Nitro, West Virginia 25143
 (304) 755-8291 FAX 755-2836
 www.terradon.com

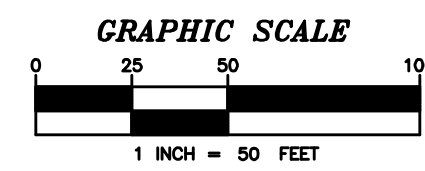
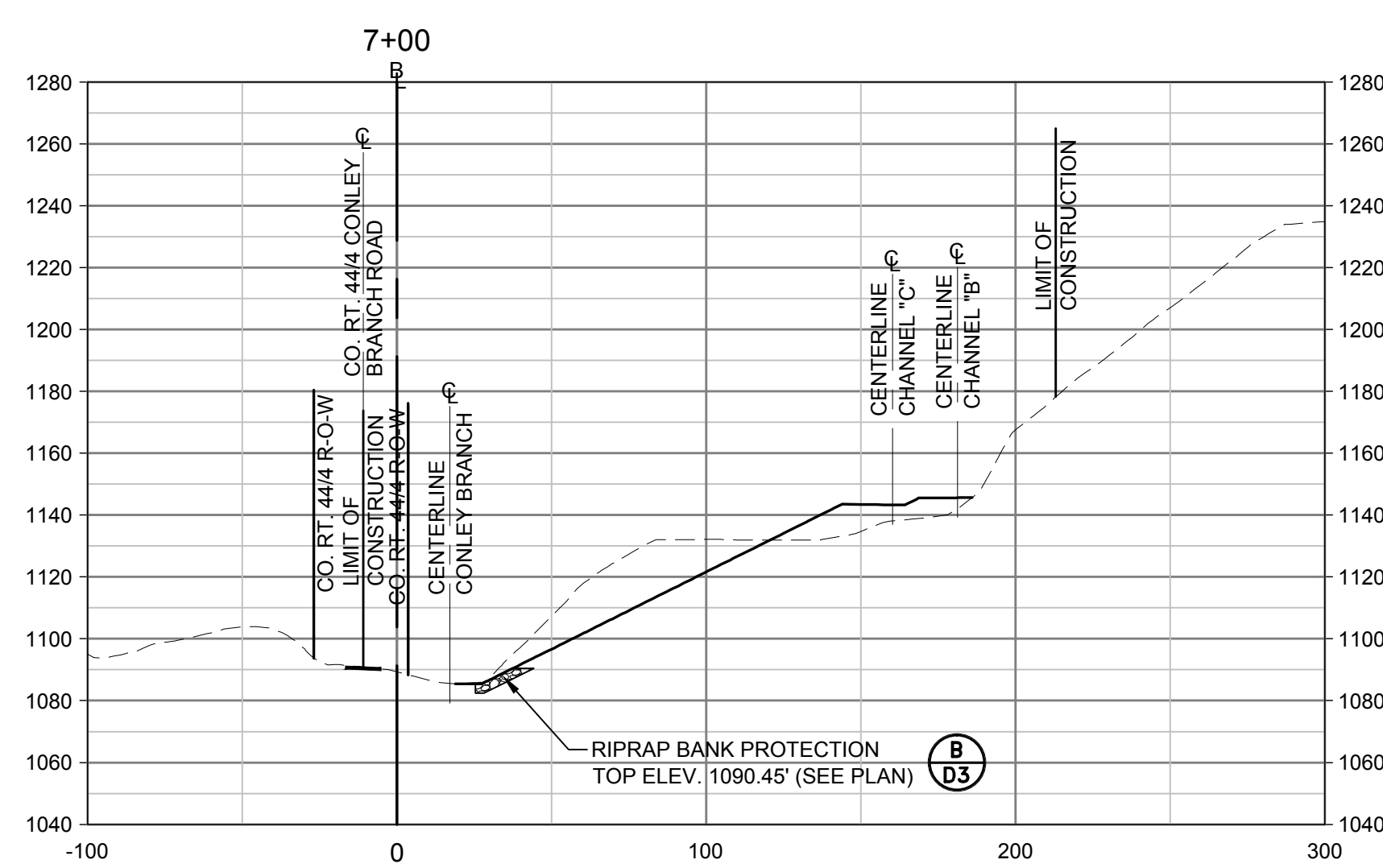
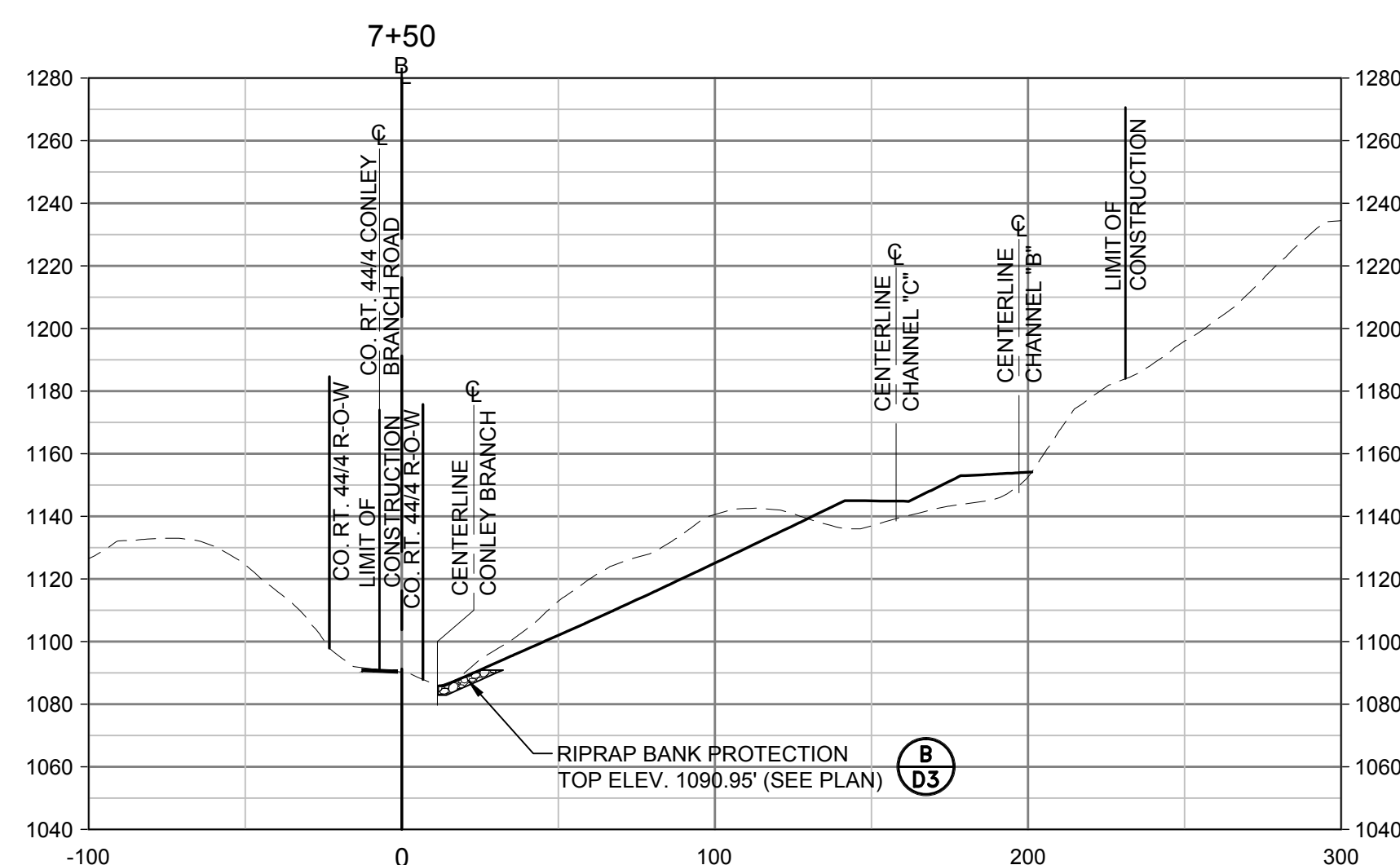
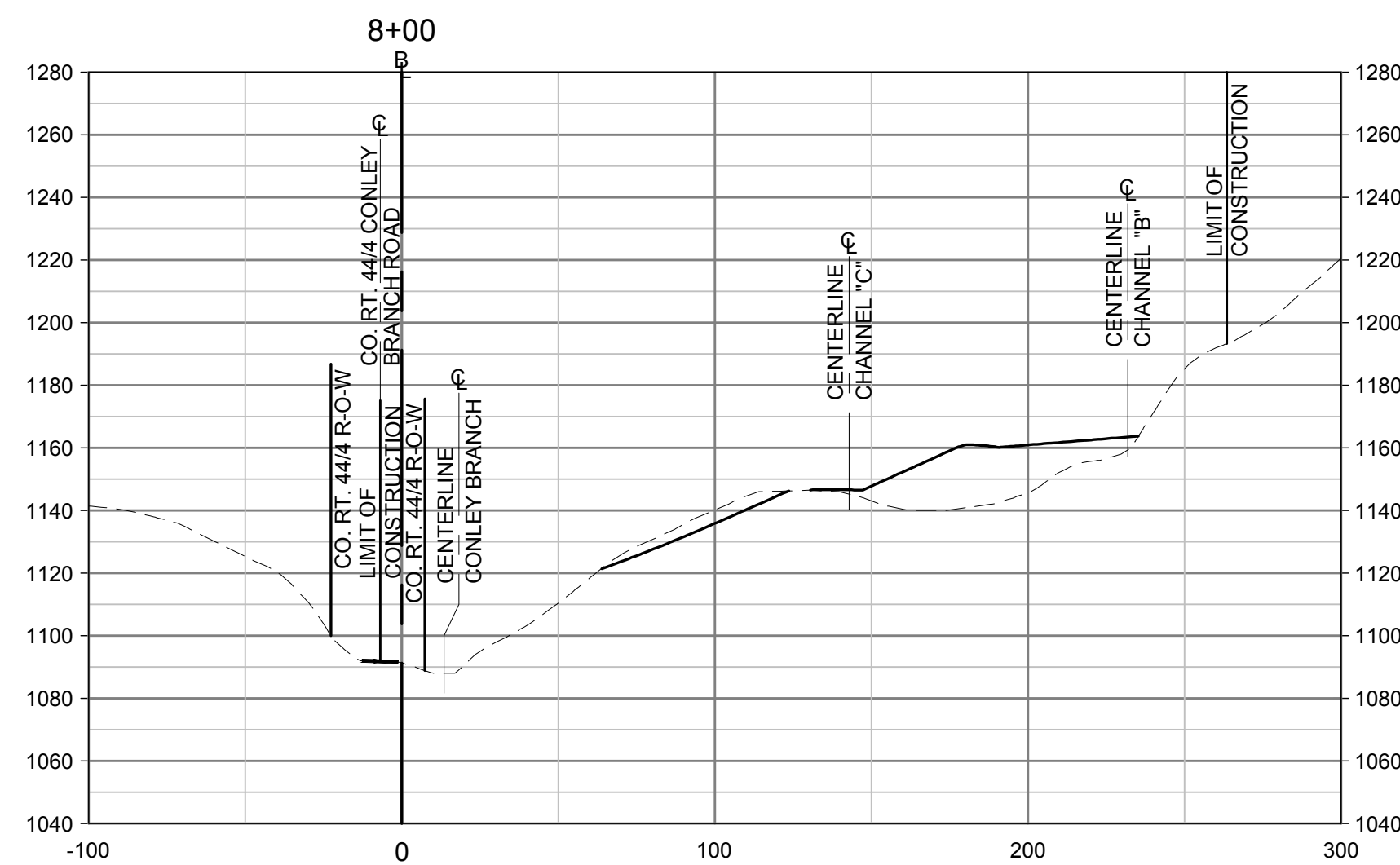
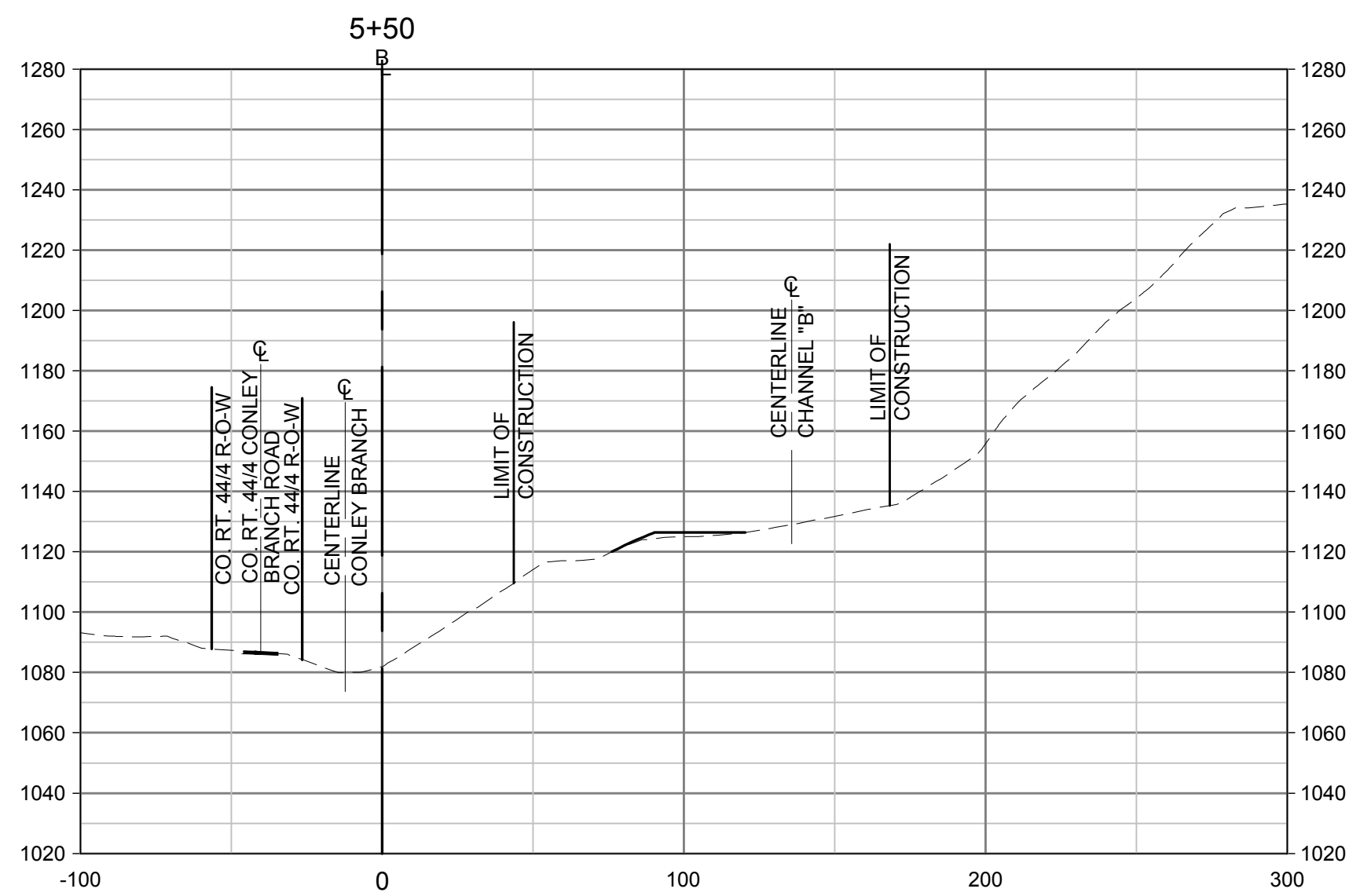
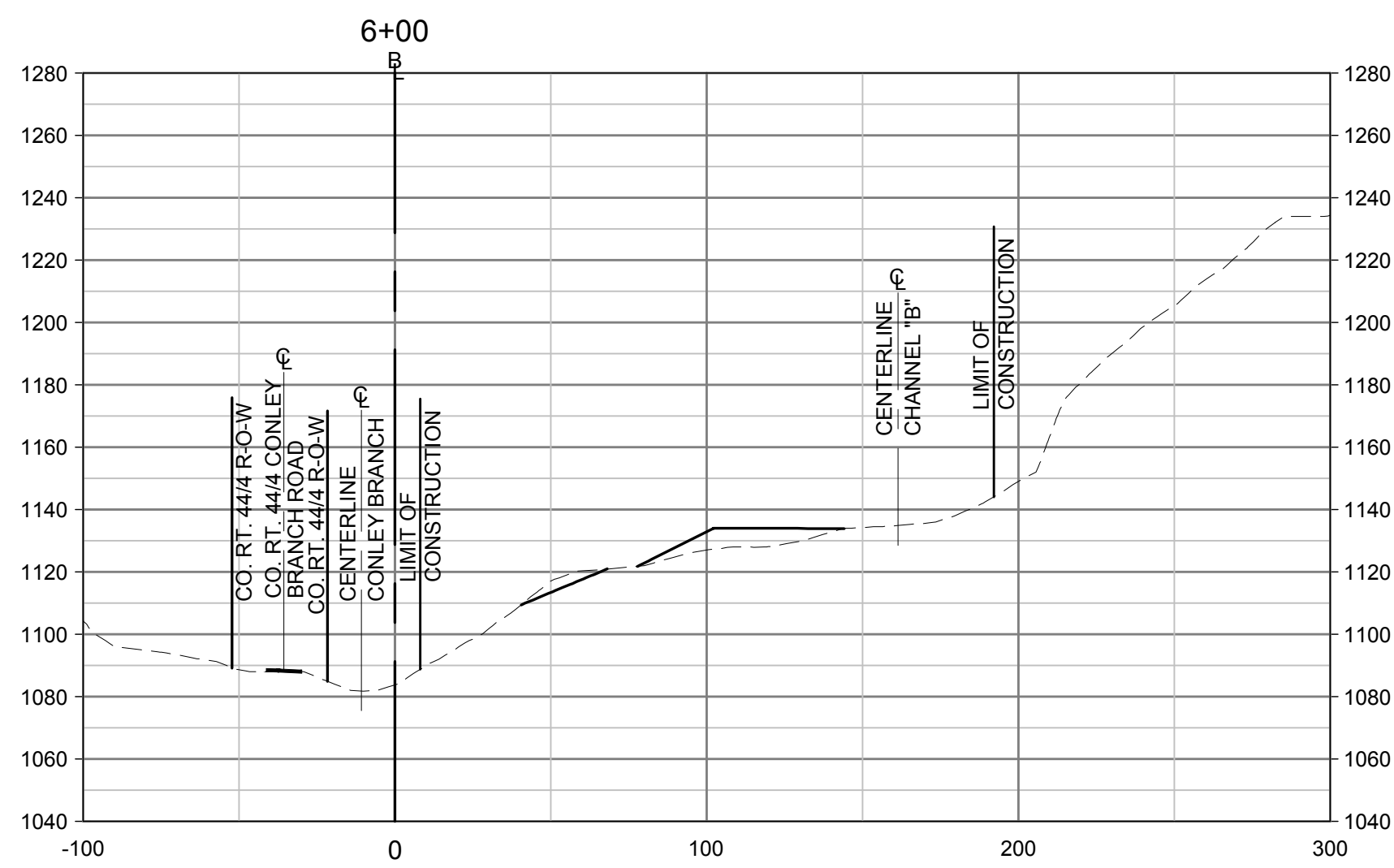
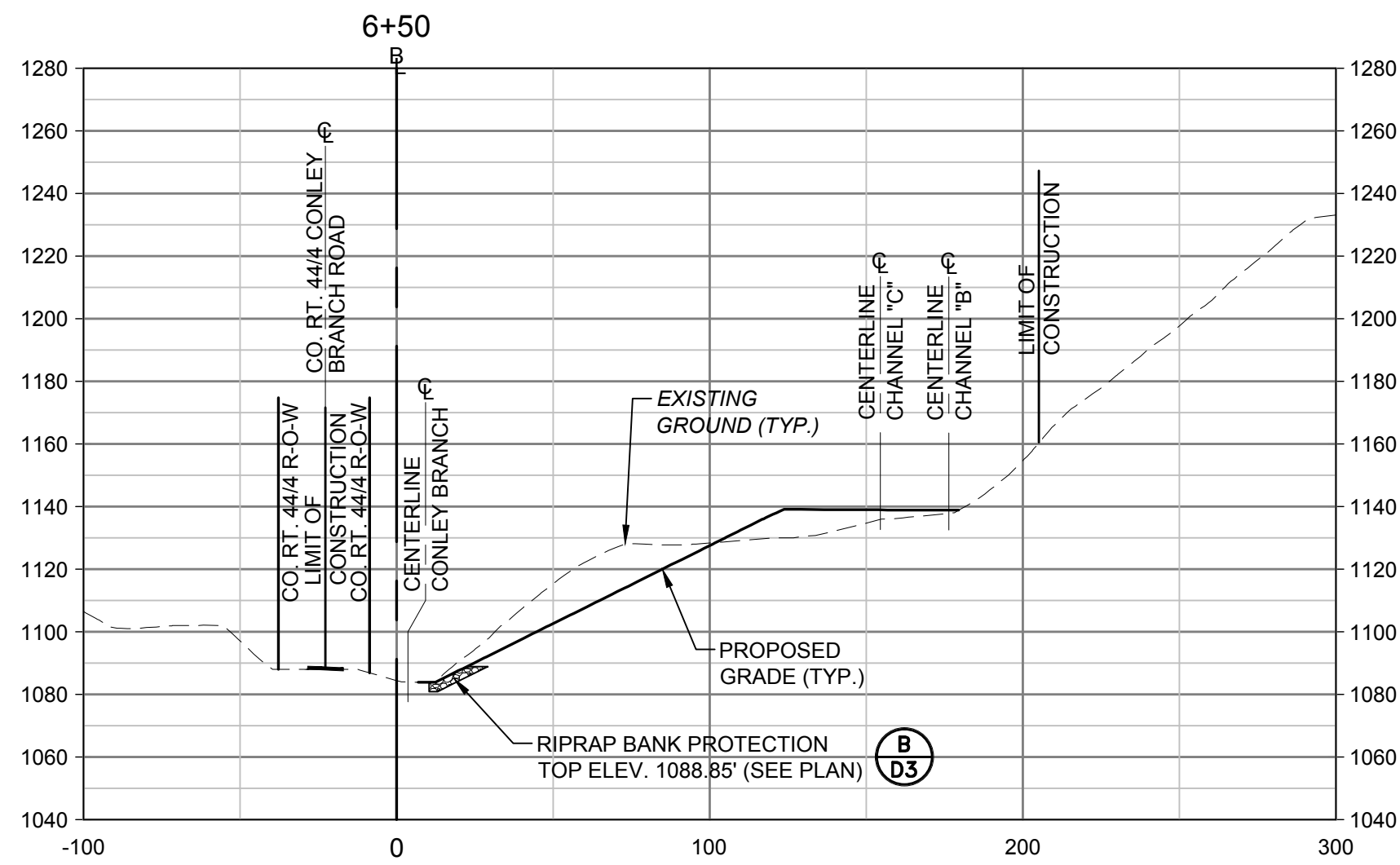
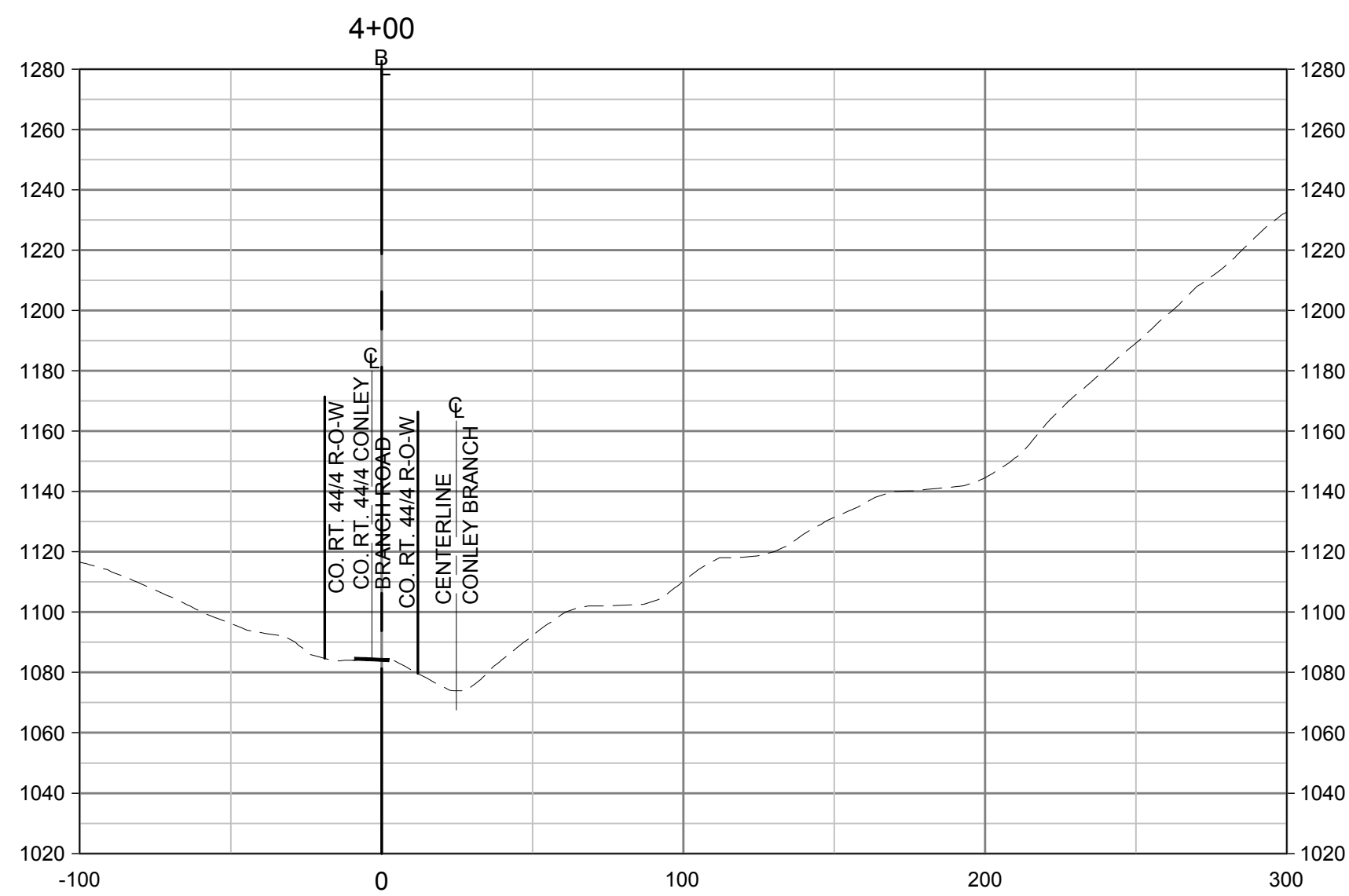
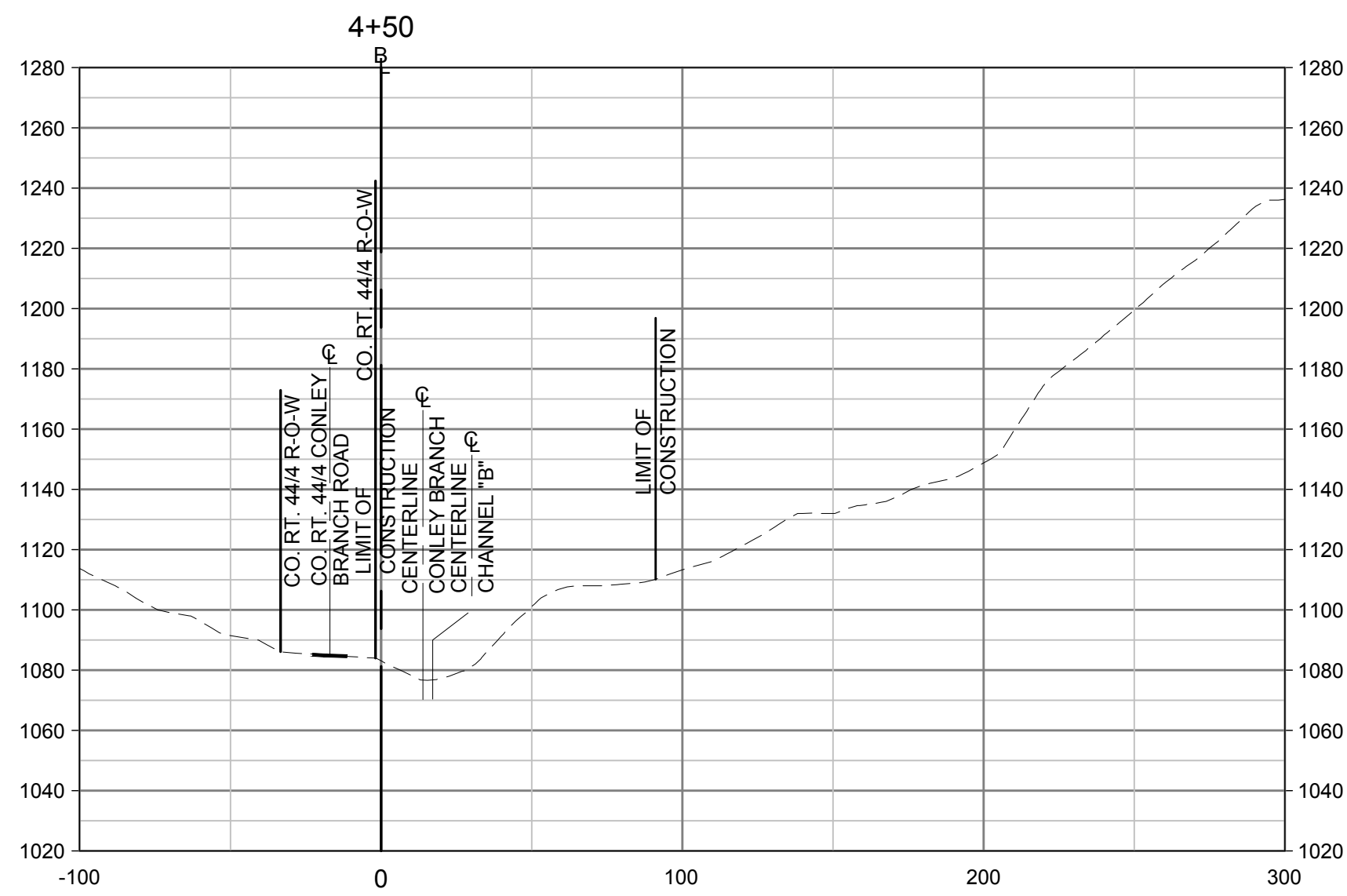
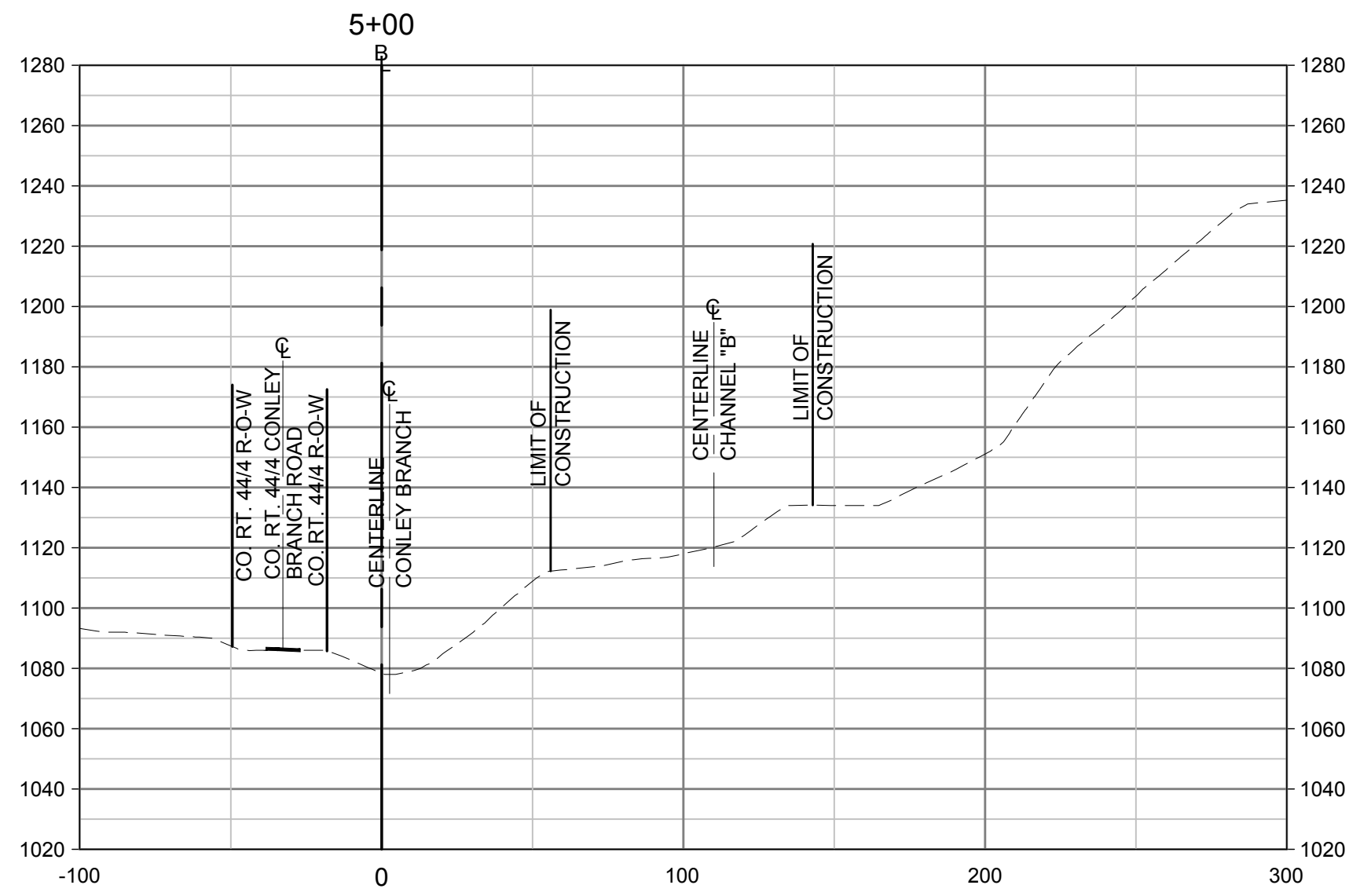


WEST VIRGINIA DEPARTMENT OF ENVIRONMENTAL PROTECTION
 OFFICE OF ABANDONED MINE LANDS AND RECLAMATION
CHANNEL PROFILES
CONLEY BRANCH (WHITT) LANDSLIDE
LOGAN COUNTY, WEST VIRGINIA

Project No.	01-5055-001
Drawn:	WLG
Checked:	EMP
Approved:	WJS
Scale:	1"=20' H&V
Date:	12-20-2013
CAD File #	*-PROFILES

P4

PLOT DATE : 4/16/2014 1:15 PM FILE SAVED BY :BILL.GERENCIOR ON 4/16/2014 1:14 PM P:\2013\01-5055-001 CONLEY BRANCH (WHITT) LANDSLIDE\40-TRANS-AML\AML_DWG\PRODUCTION\SP\01-5055-001-SECTIONS.DWG



NO.	DATE	REVISION

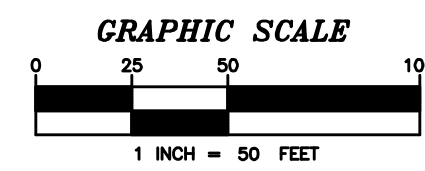
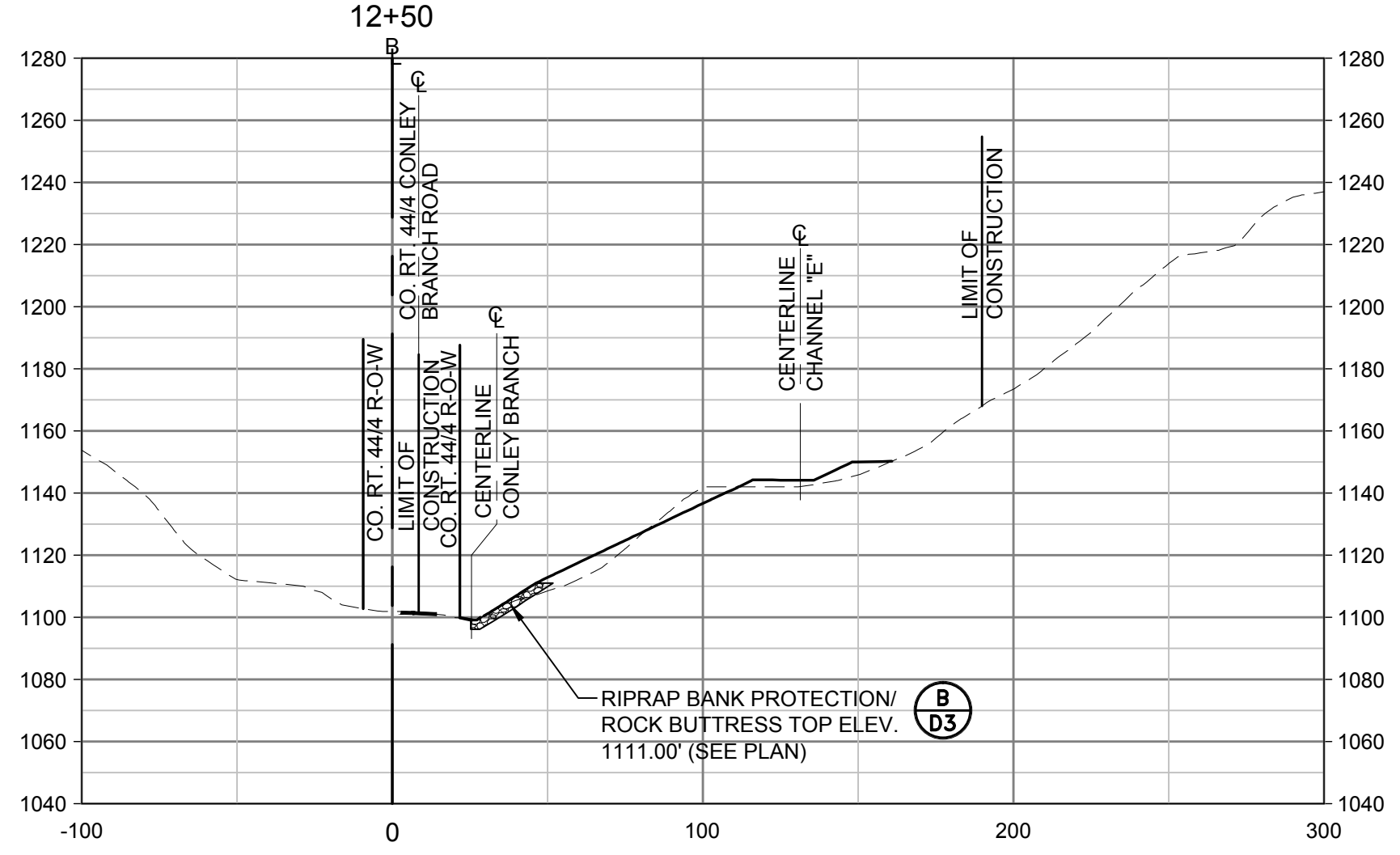
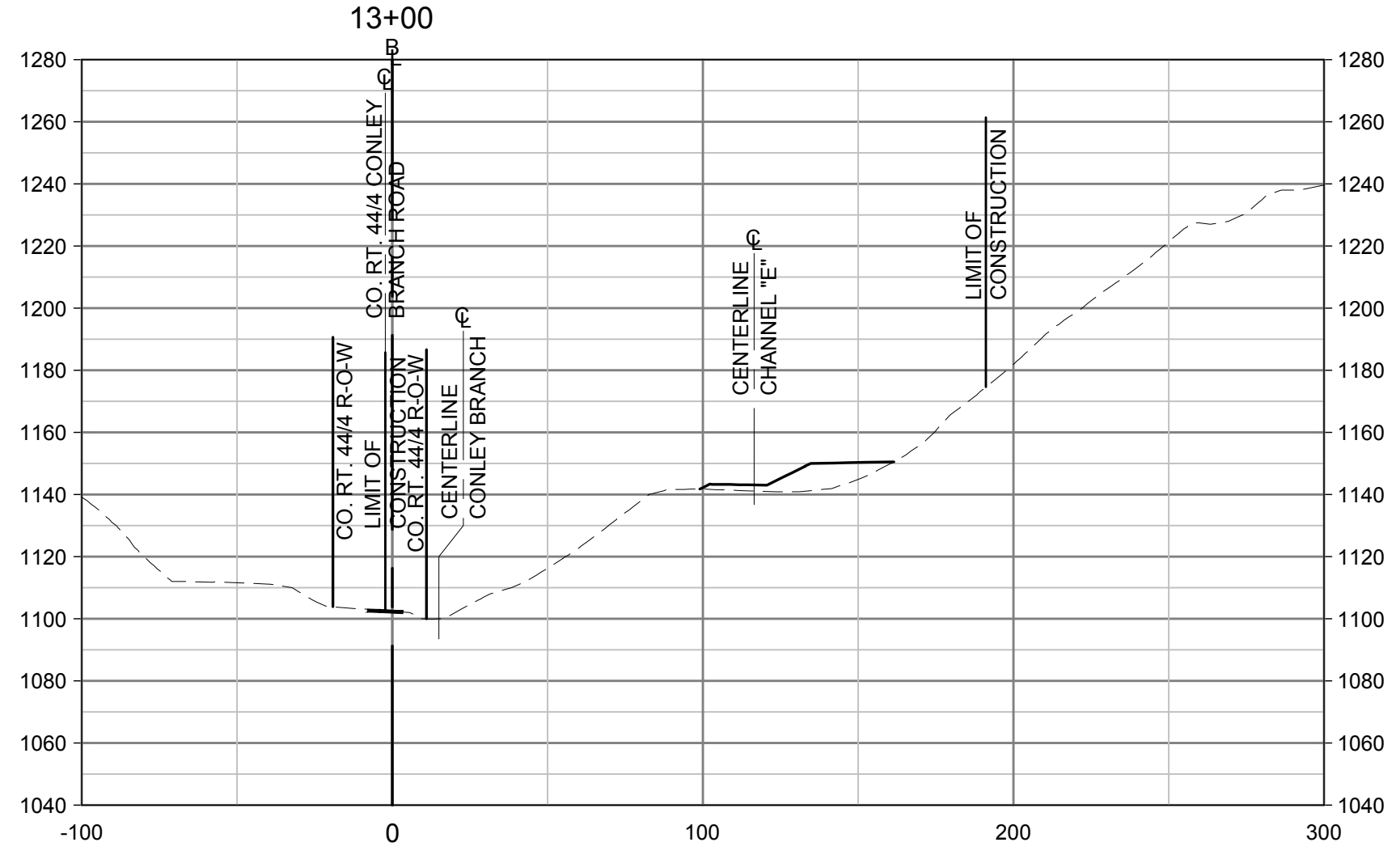
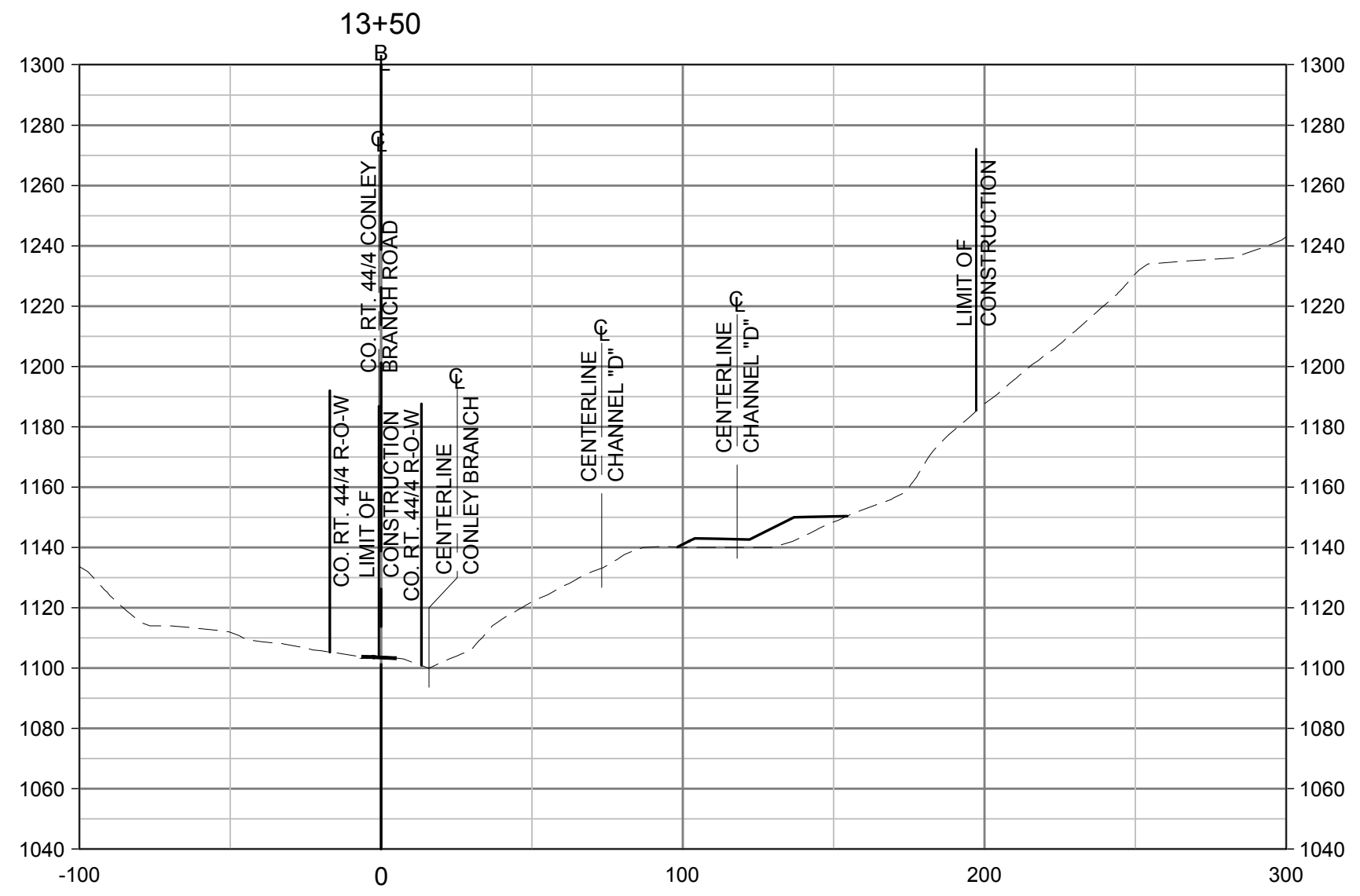
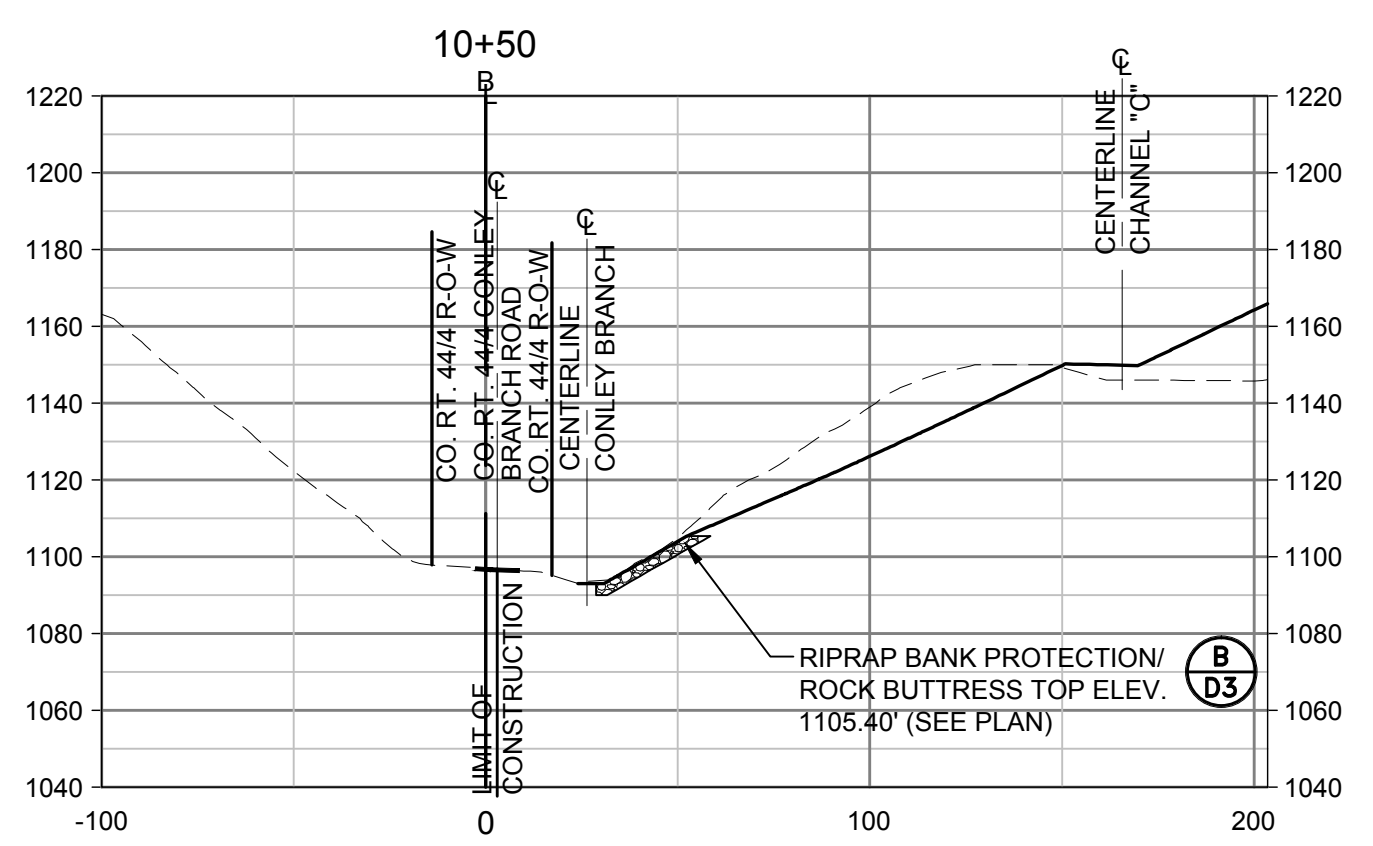
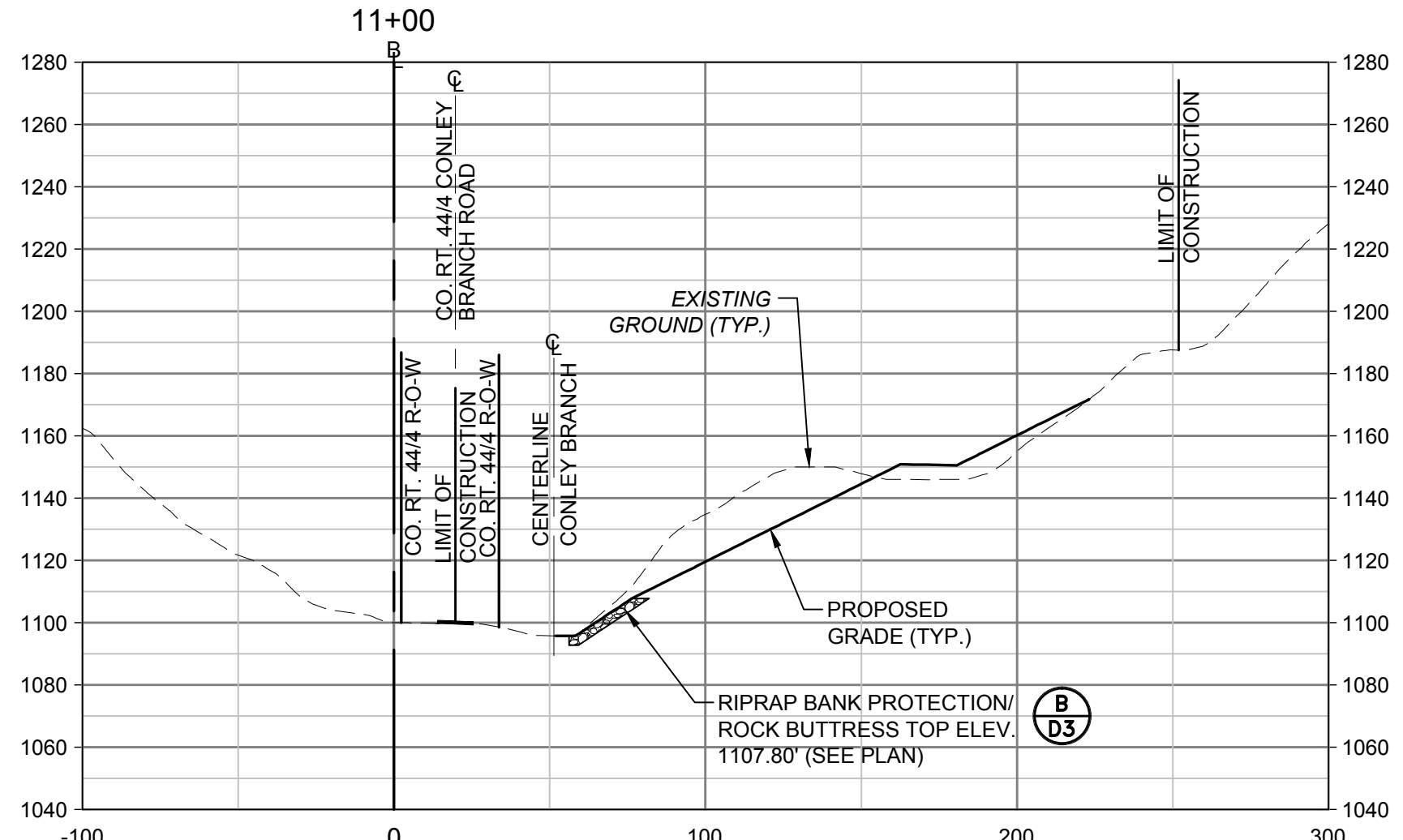
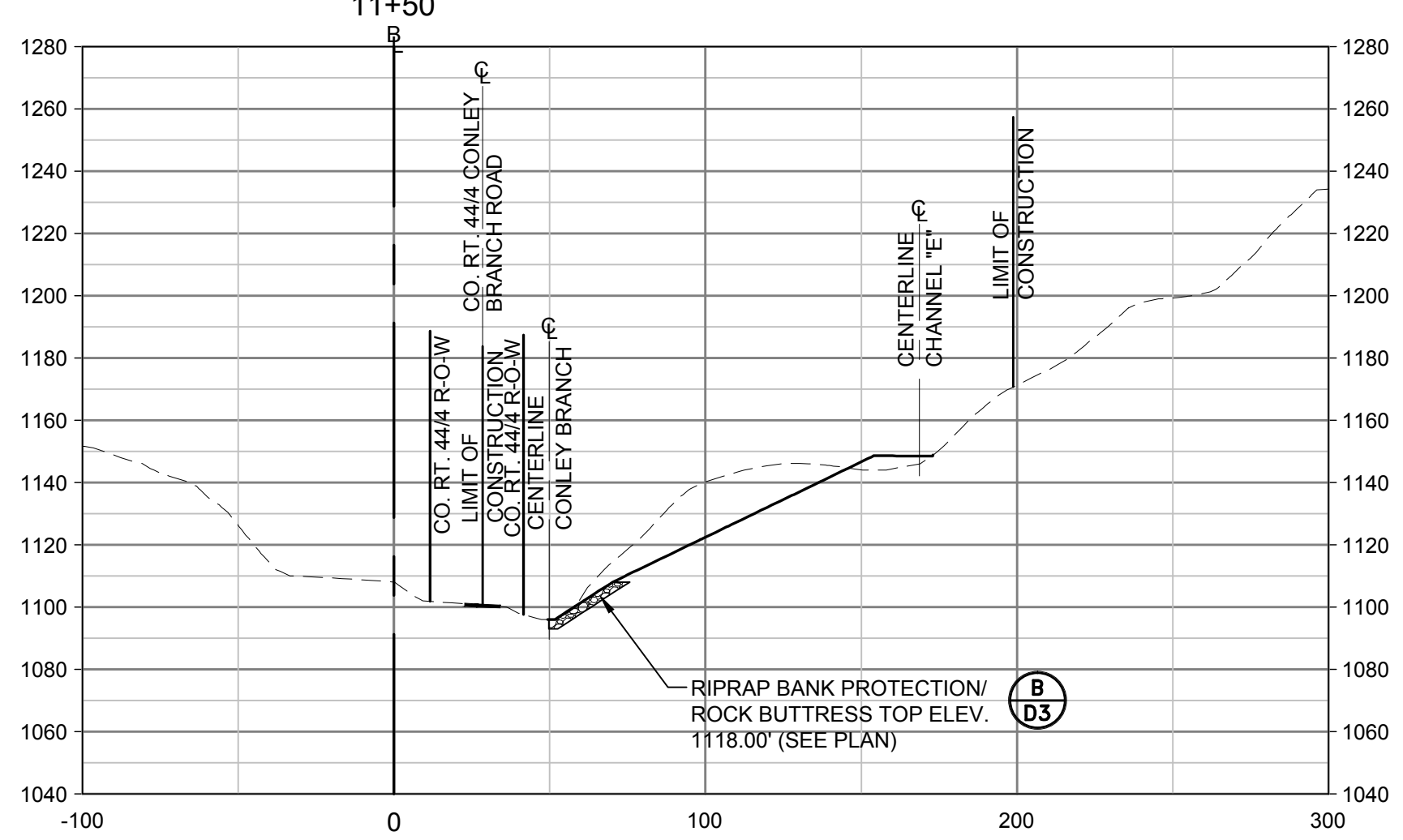
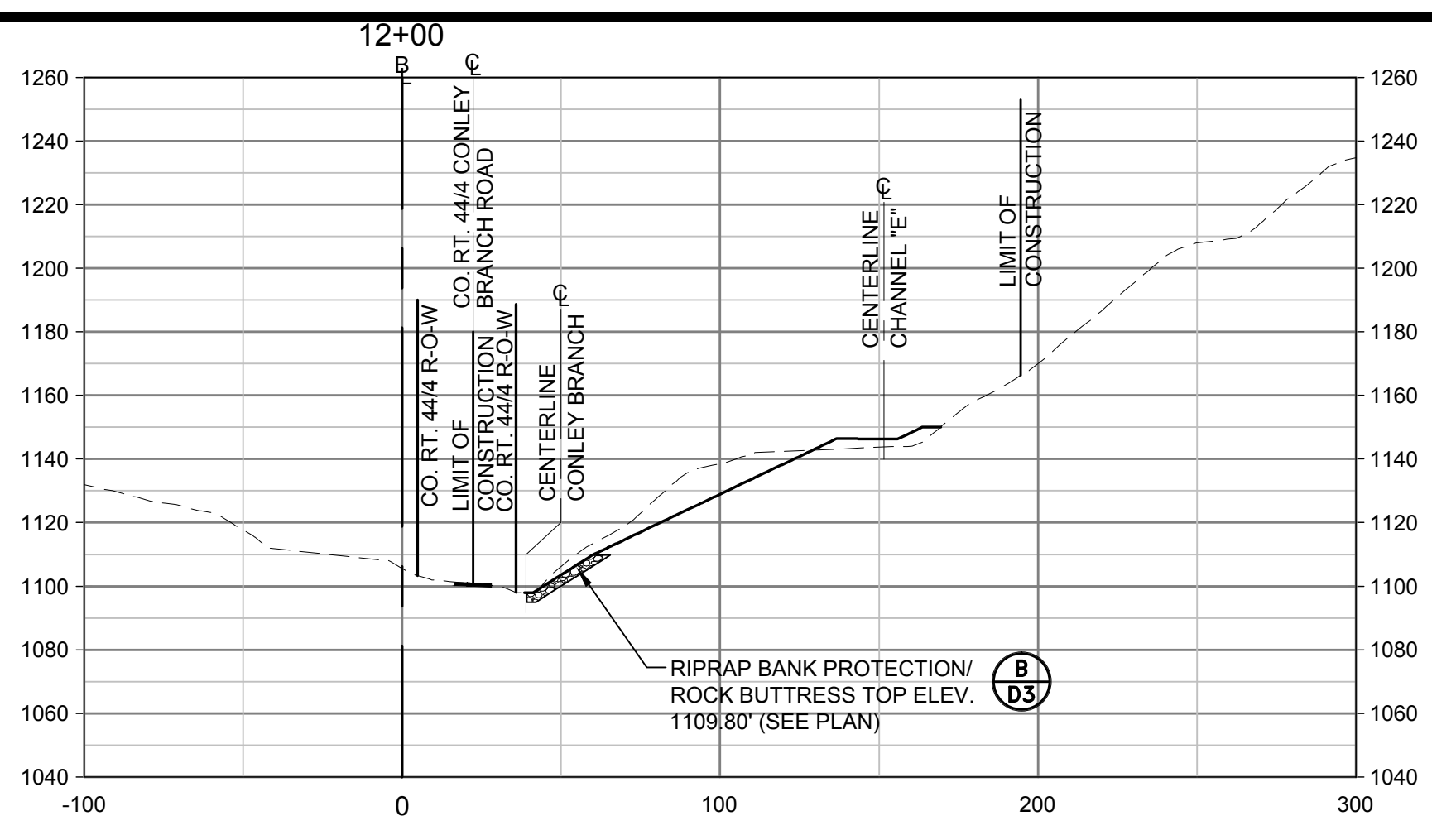
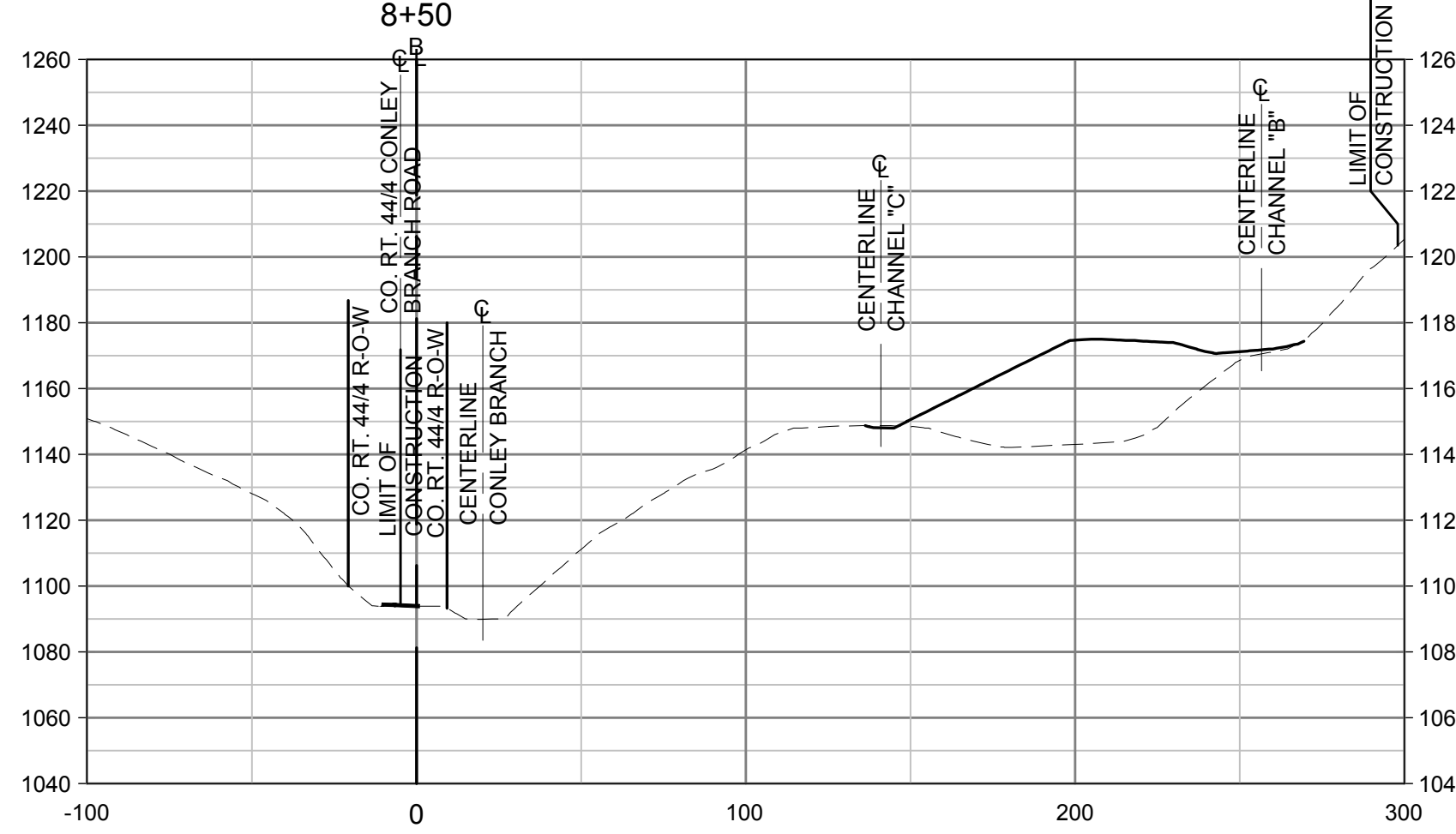
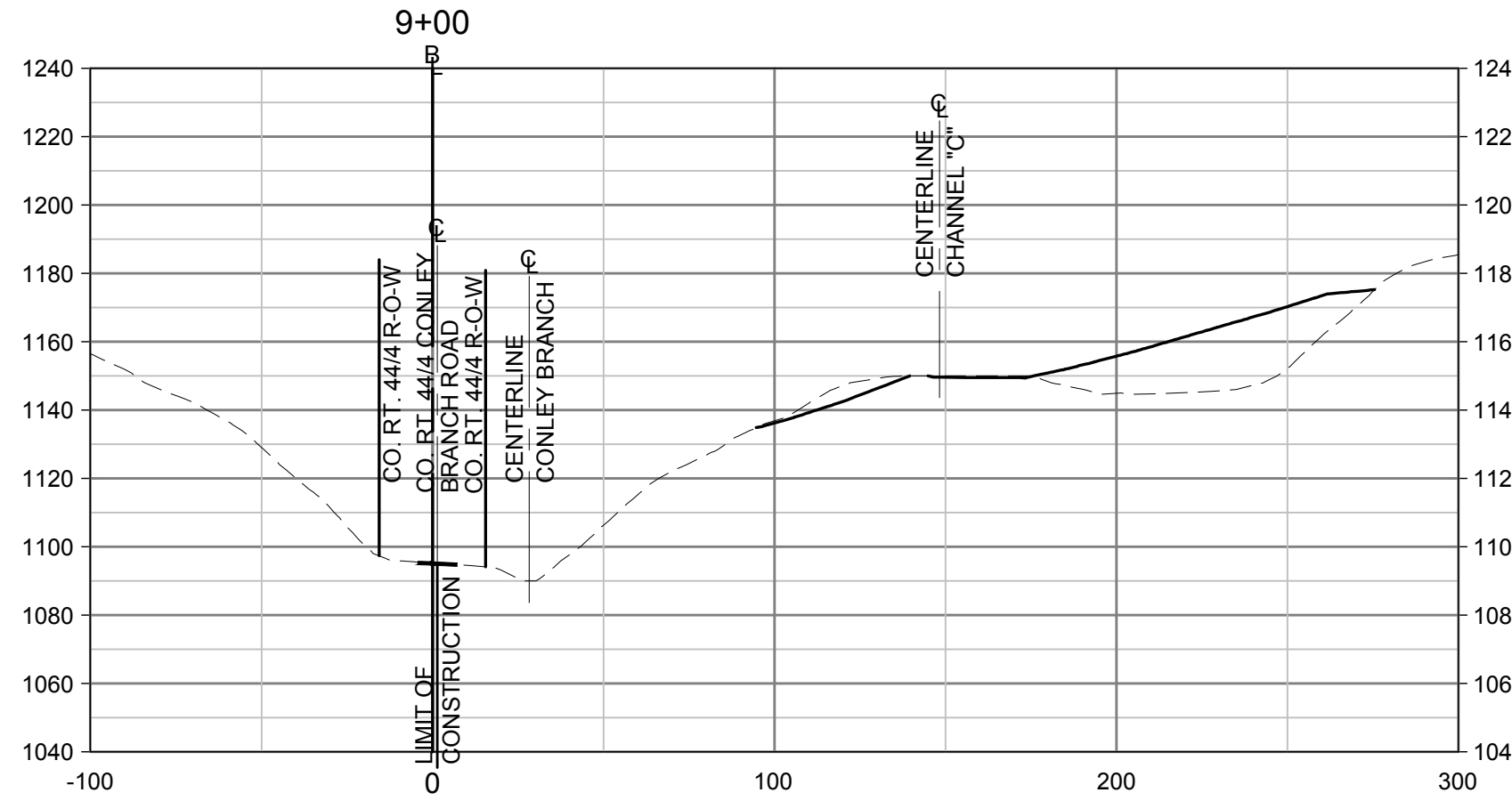
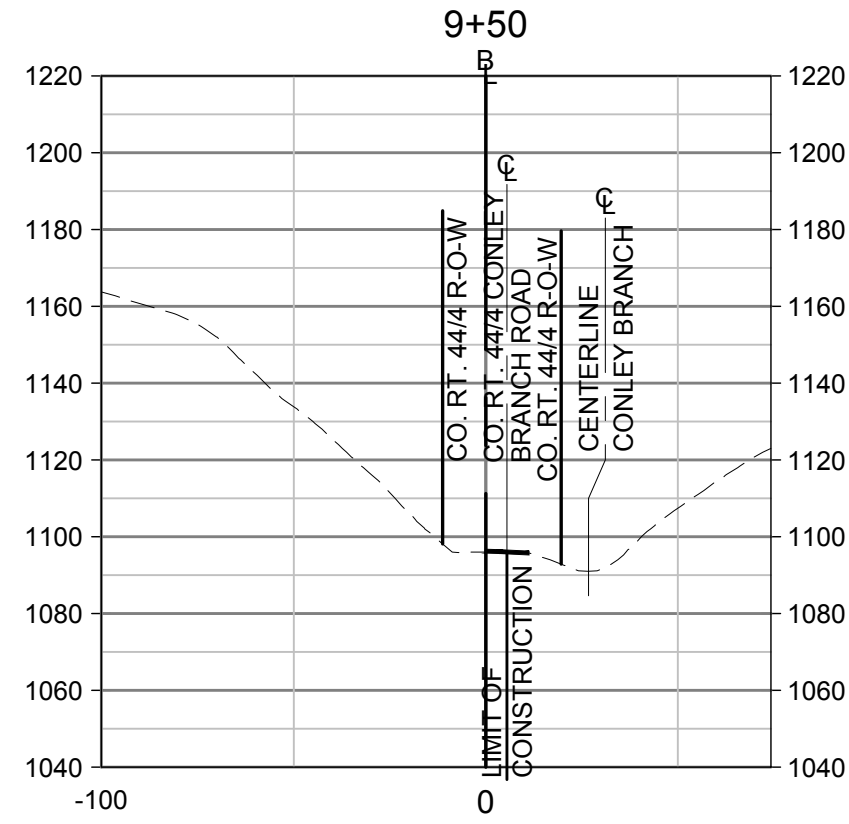
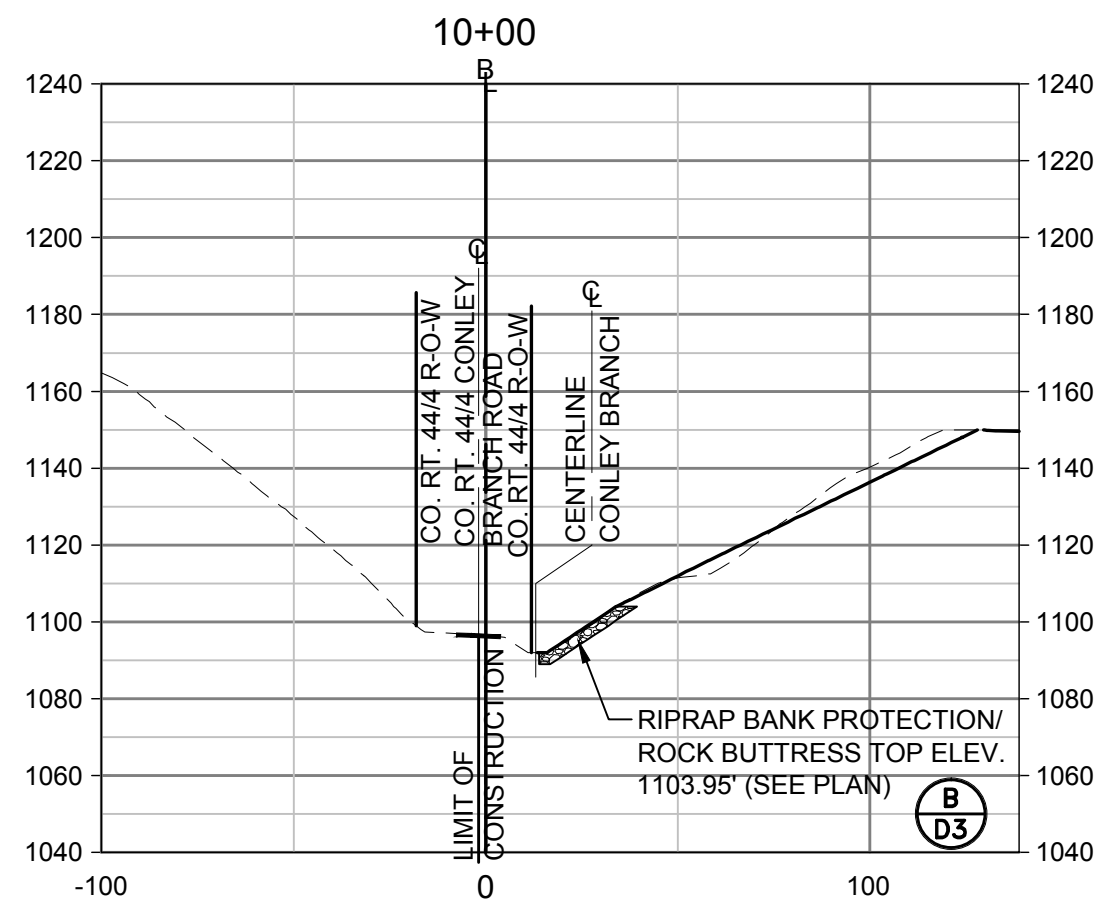
TERRADON CORPORATION
 Engineering - Surveying - Landscape Architecture
 P.O. Box 519 25143
 Nitro, Virginia
 (304) 755-8291 FAX 755-2836
 www.terradon.com

WEST VIRGINIA DEPARTMENT OF ENVIRONMENTAL PROTECTION
 OFFICE OF ABANDONED MINE LANDS AND RECLAMATION
**BASELINE "A" CROSS SECTIONS
 CONLEY BRANCH (WHITT) LANDSLIDE
 LOGAN COUNTY, WEST VIRGINIA**

Project No. 01-5055-001
 Drawn: WLG
 Checked: EMP
 Approved: WJS
 Scale: 1"=50' H & V
 Date: 4-16-2014
 CAD File # *-SECTIONS

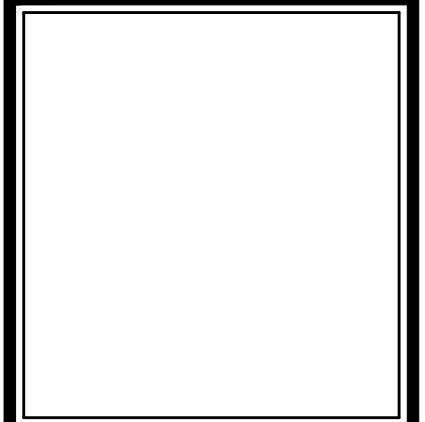
X1

PLOT DATE : 4/16/2014 1:16 PM FILE SAVED BY :BILL.GERENCIOR ON 4/16/2014 1:16 PM P:\2013\01-5055-001 CONLEY BRANCH (WHITT) LANDSLIDE\40-TRANS-AWL\AWL.DWG (PRODUCTION) SP\01-5055-001-SECTIONS.DWG



NO.	DATE	REVISION

TERRADON
 CORPORATION
 Engineering - Surveying - Landscape Architecture
 P.O. Box 519 25143
 Nitro, Virginia
 (304) 755-8291 FAX 755-2836
 www.terradon.com

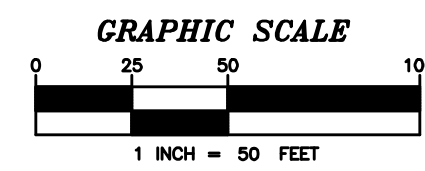
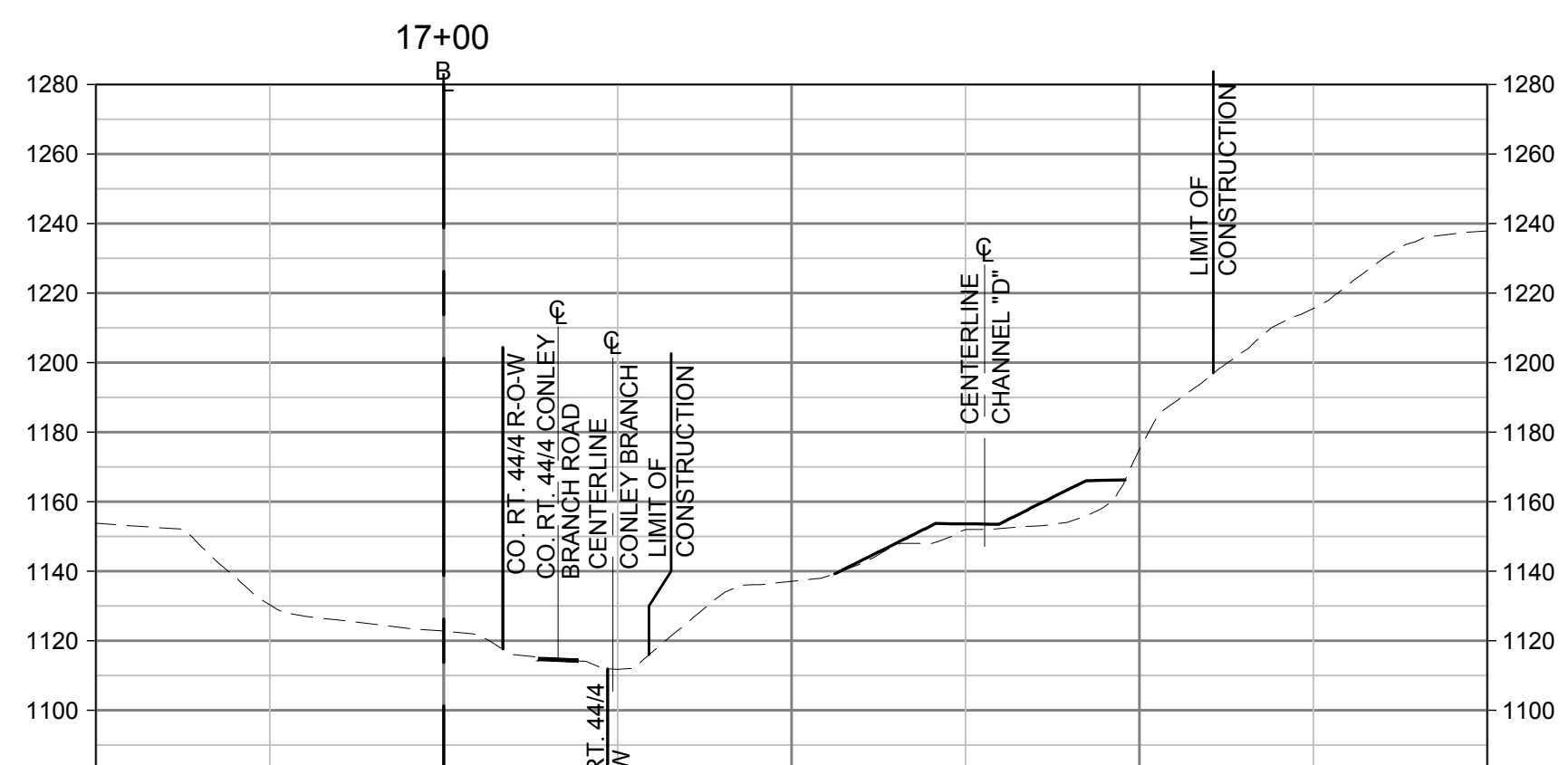
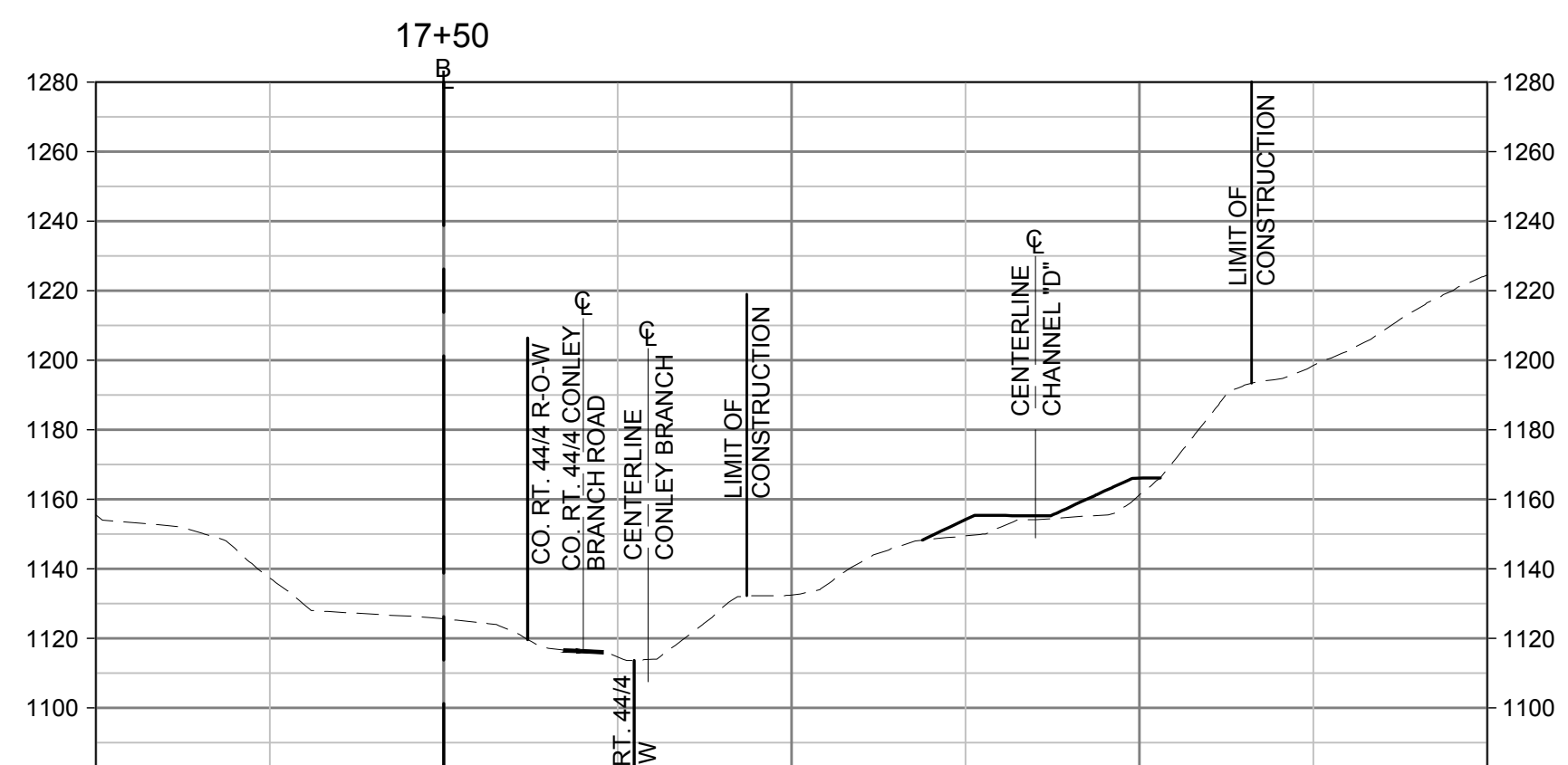
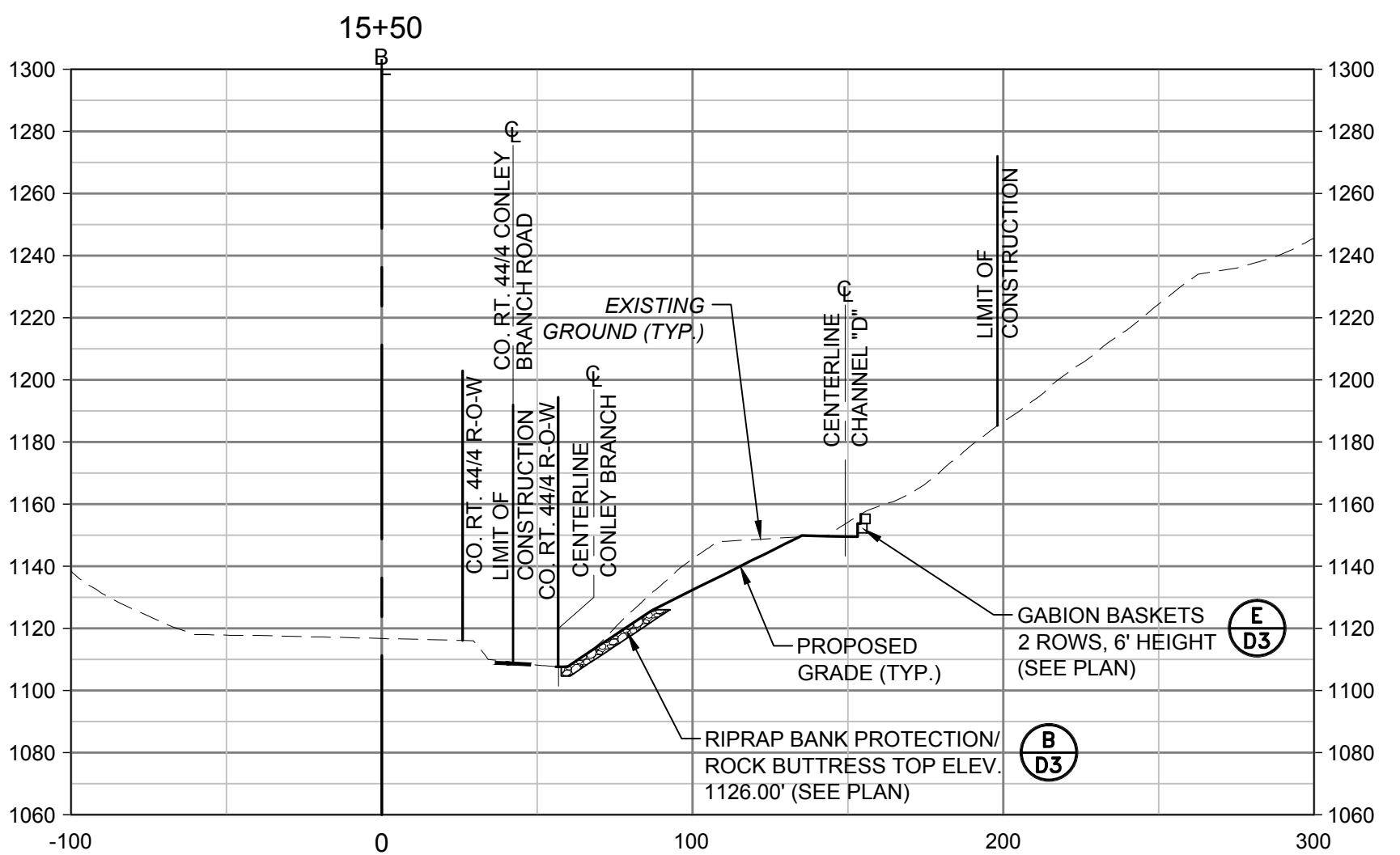
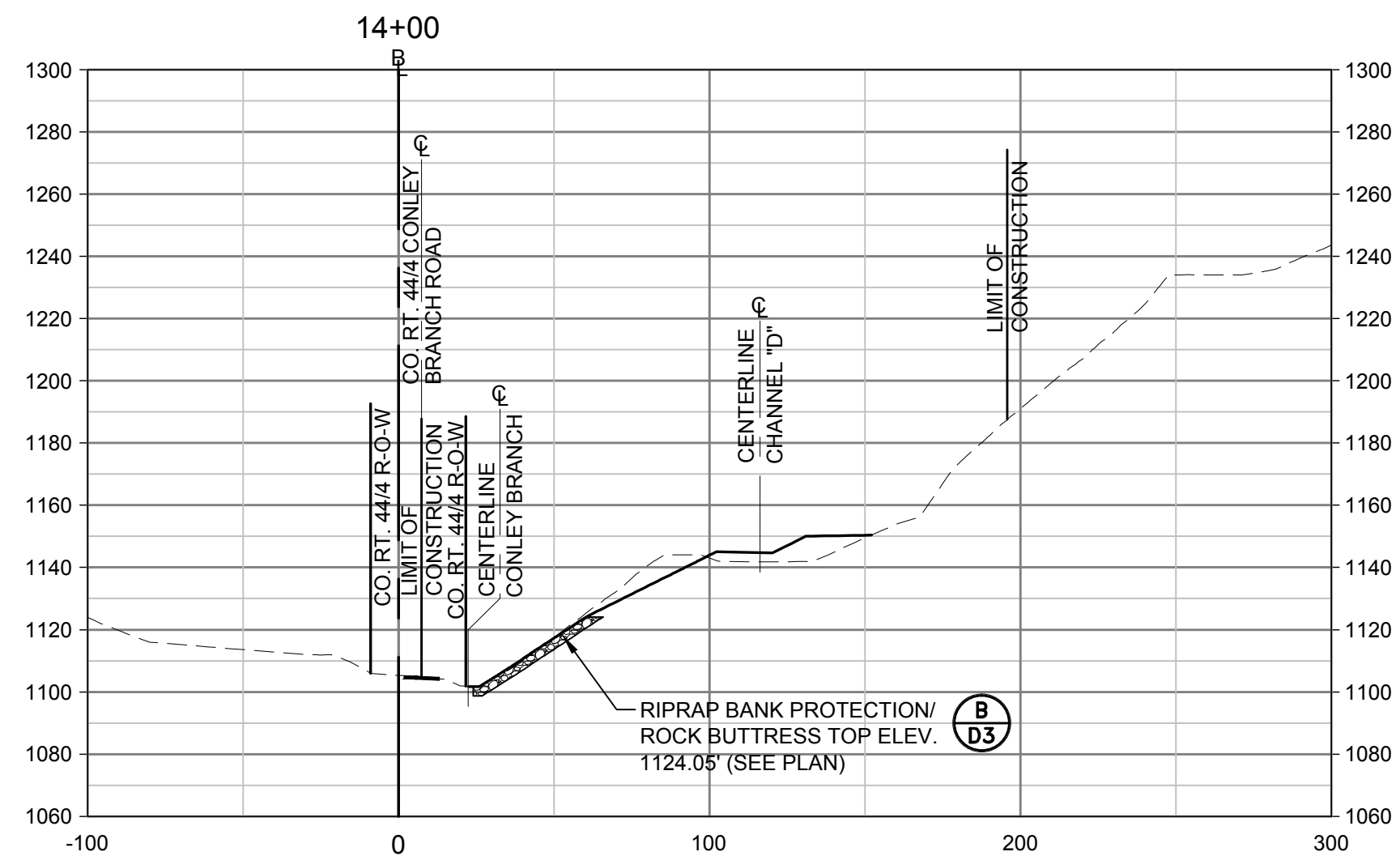
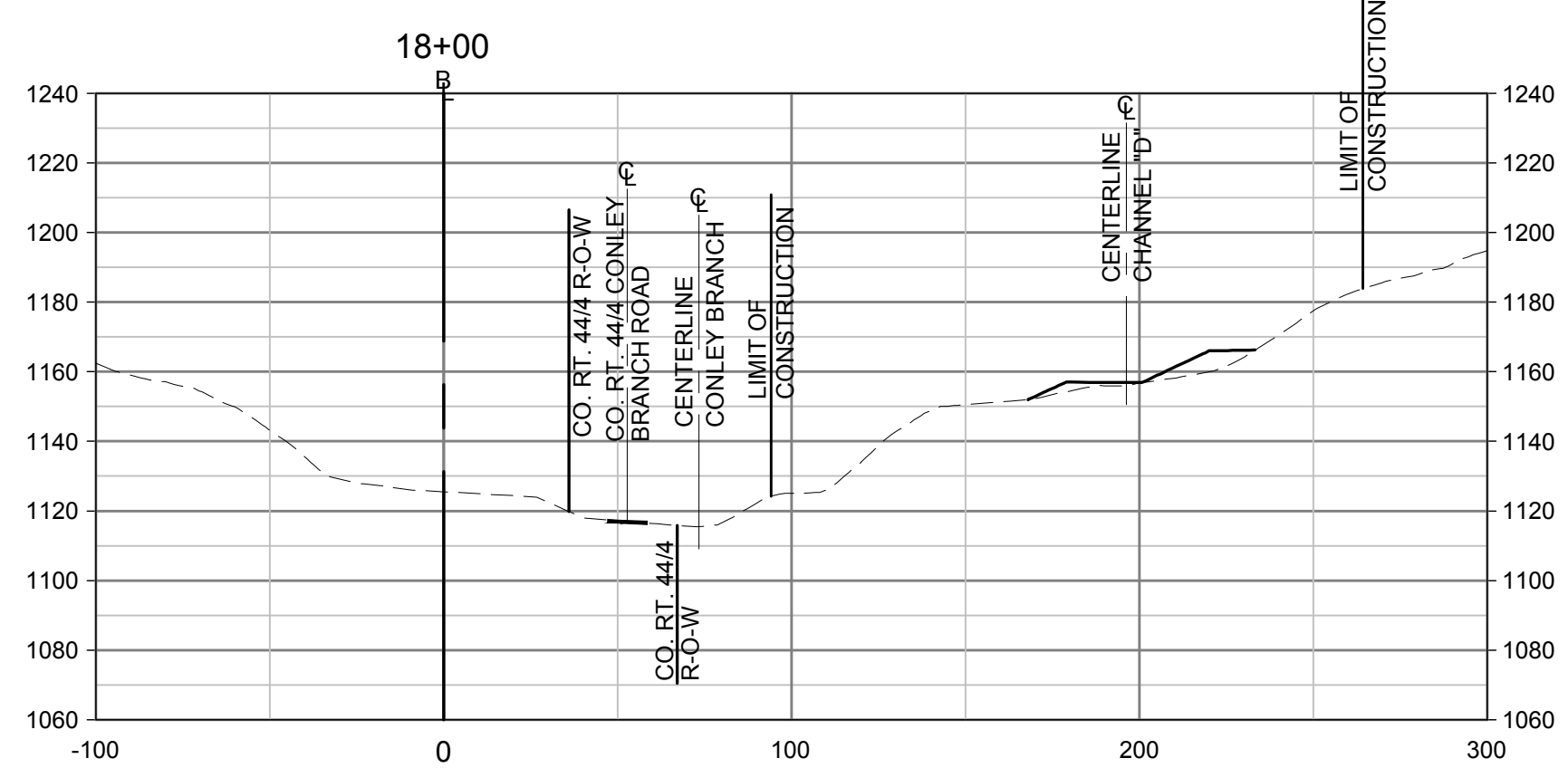
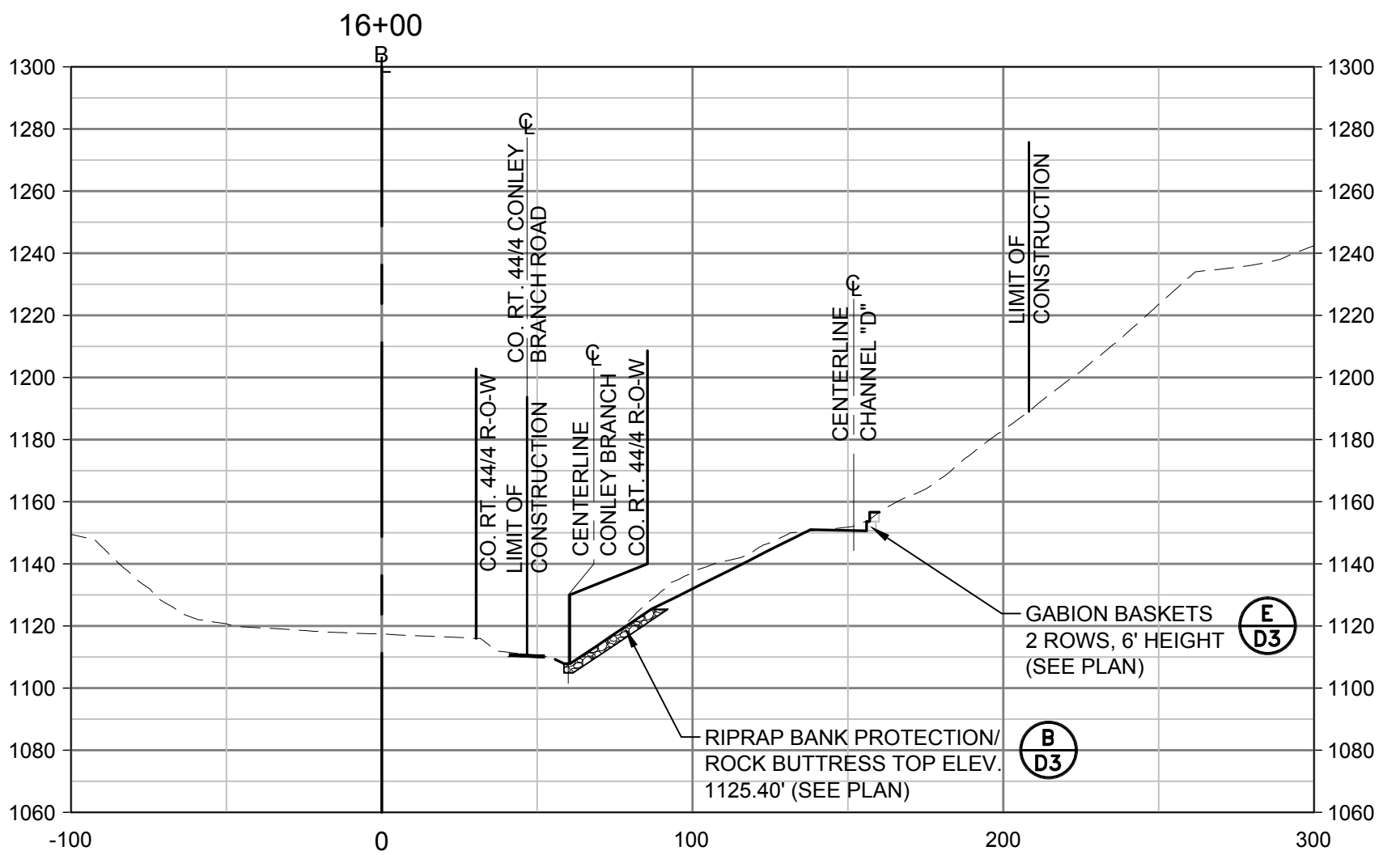
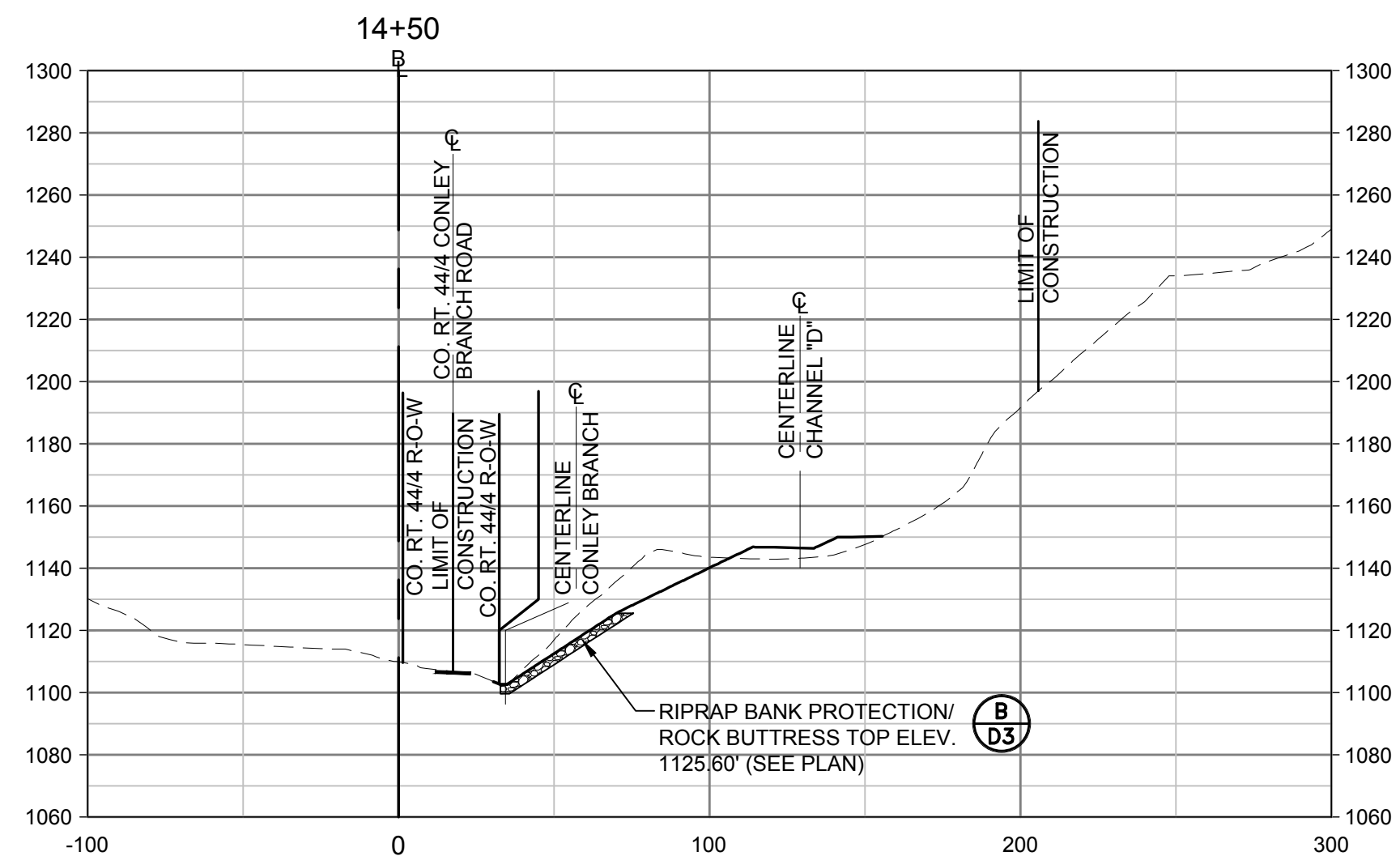
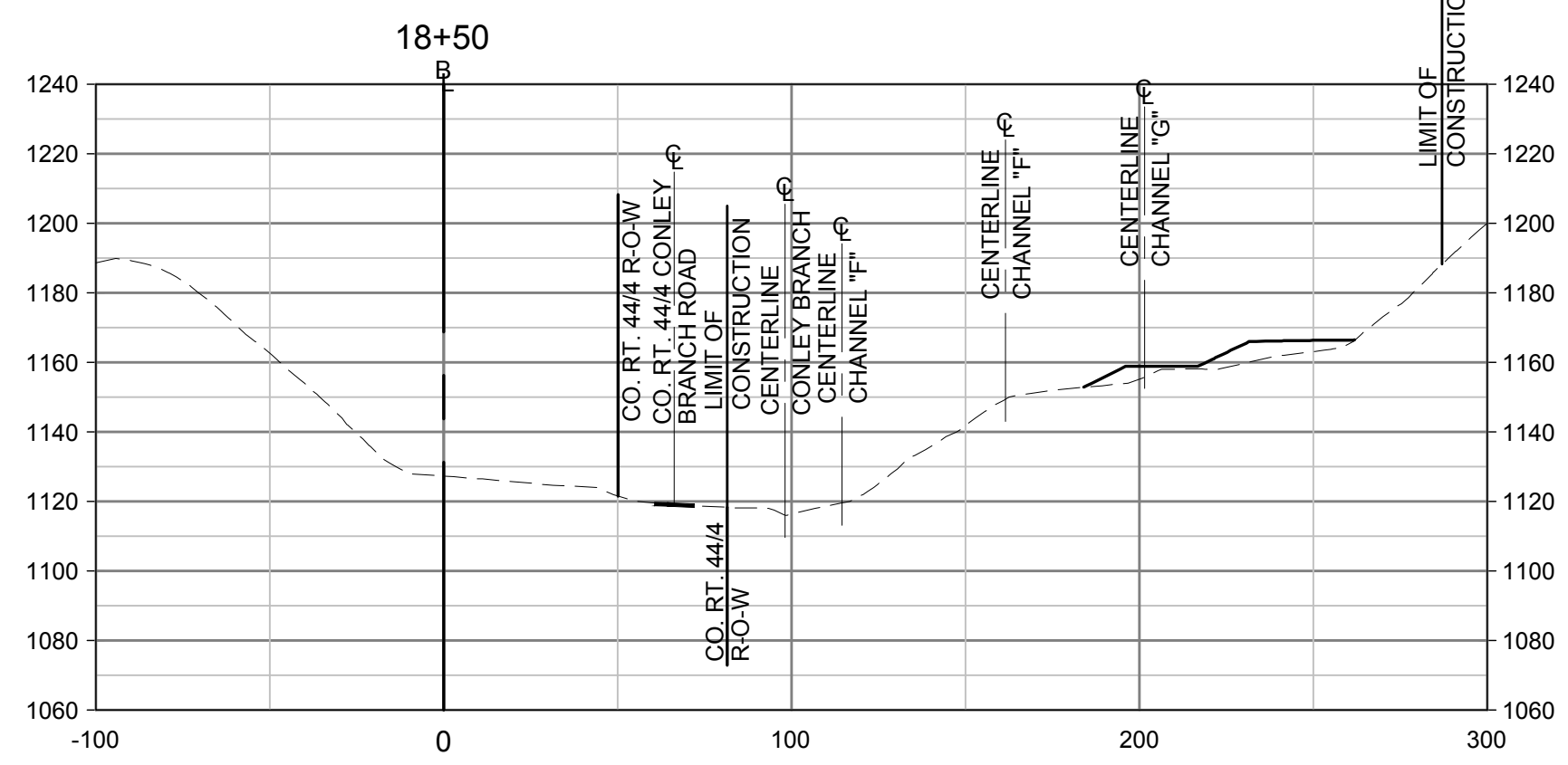
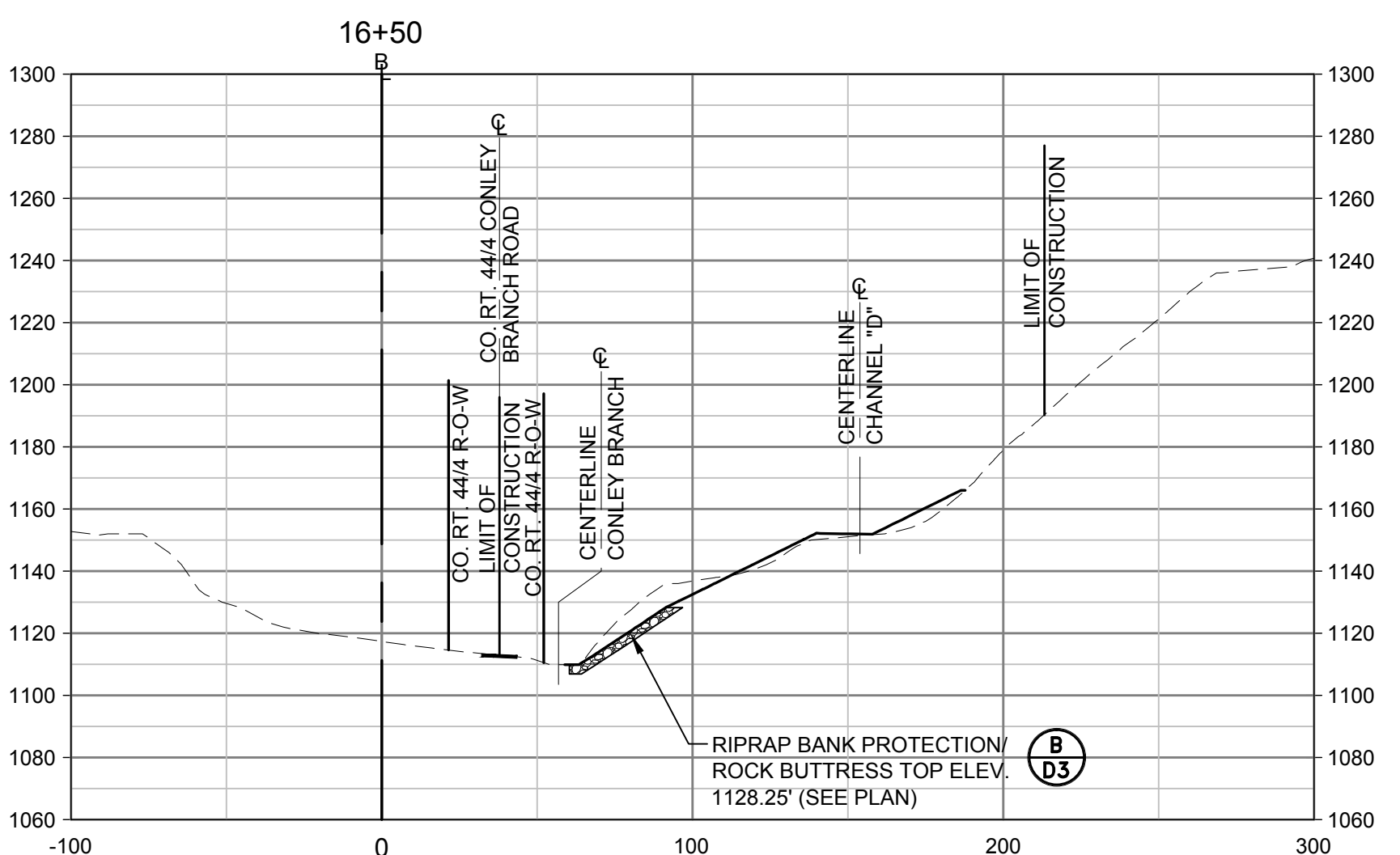
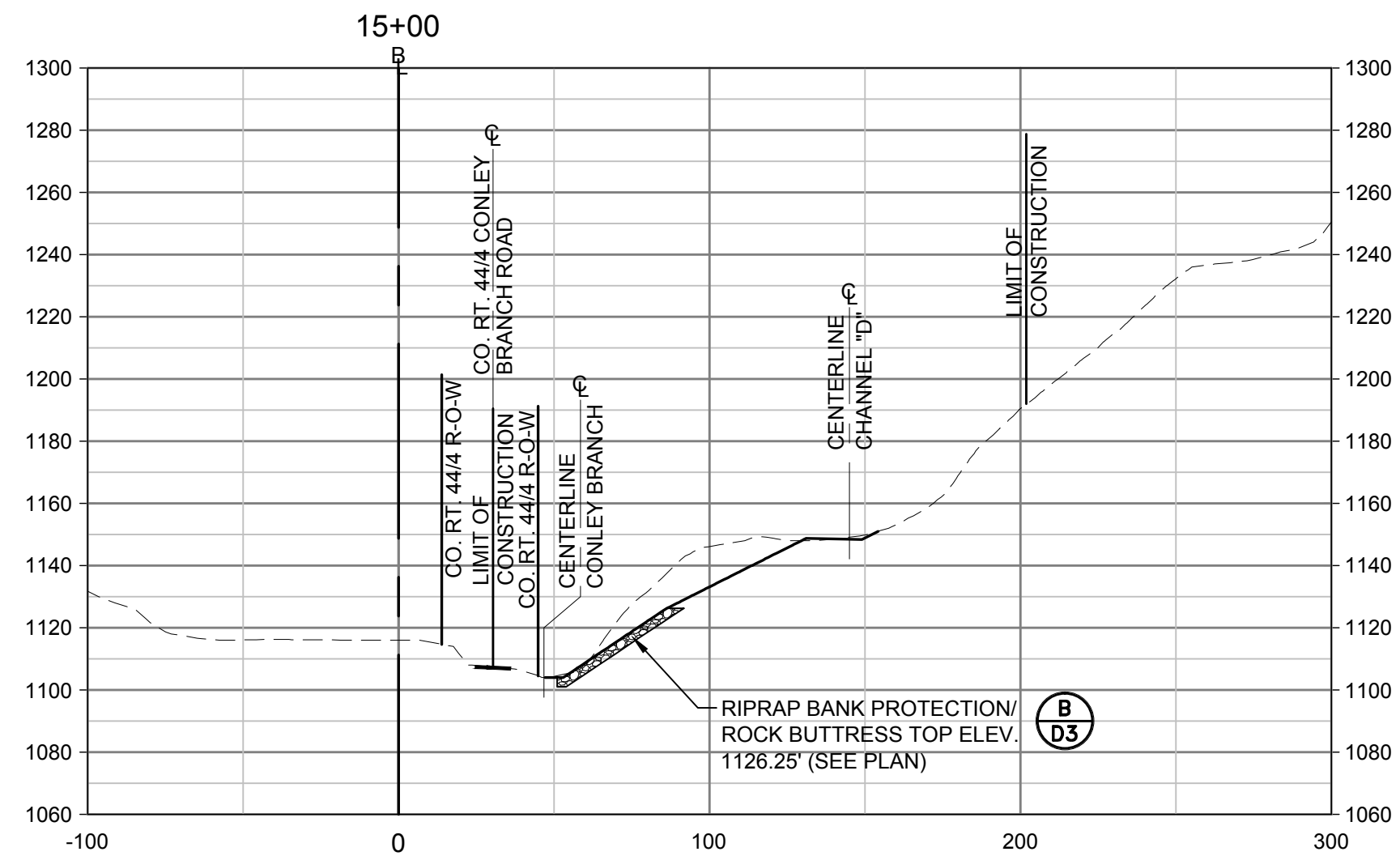


WEST VIRGINIA DEPARTMENT OF ENVIRONMENTAL PROTECTION
 OFFICE OF ABANDONED MINE LANDS AND RECLAMATION
 BASELINE "A" CROSS SECTIONS
 CONLEY BRANCH (WHITT) LANDSLIDE
 LOGAN COUNTY, WEST VIRGINIA

Project No.	01-5055-001
Drawn:	WLG
Checked:	EMP
Approved:	WJS
Scale:	1"=50' H & V
Date:	4-16-2014
CAD File #	*-SECTIONS

X2

PLOT DATE : 4/16/2014 1:18 PM FILE SAVED BY :BILL.GERENCIOR ON 4/16/2014 1:16 PM P:\2013\01-5055-001-CONLEY BRANCH (WHITT) LANDSLIDE\40-TRANS-AML\DWG\PRODUCTION\SP\01-5055-001-SECTIONS.DWG



NO.	DATE	REVISION

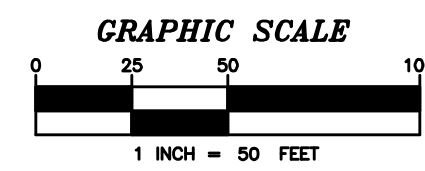
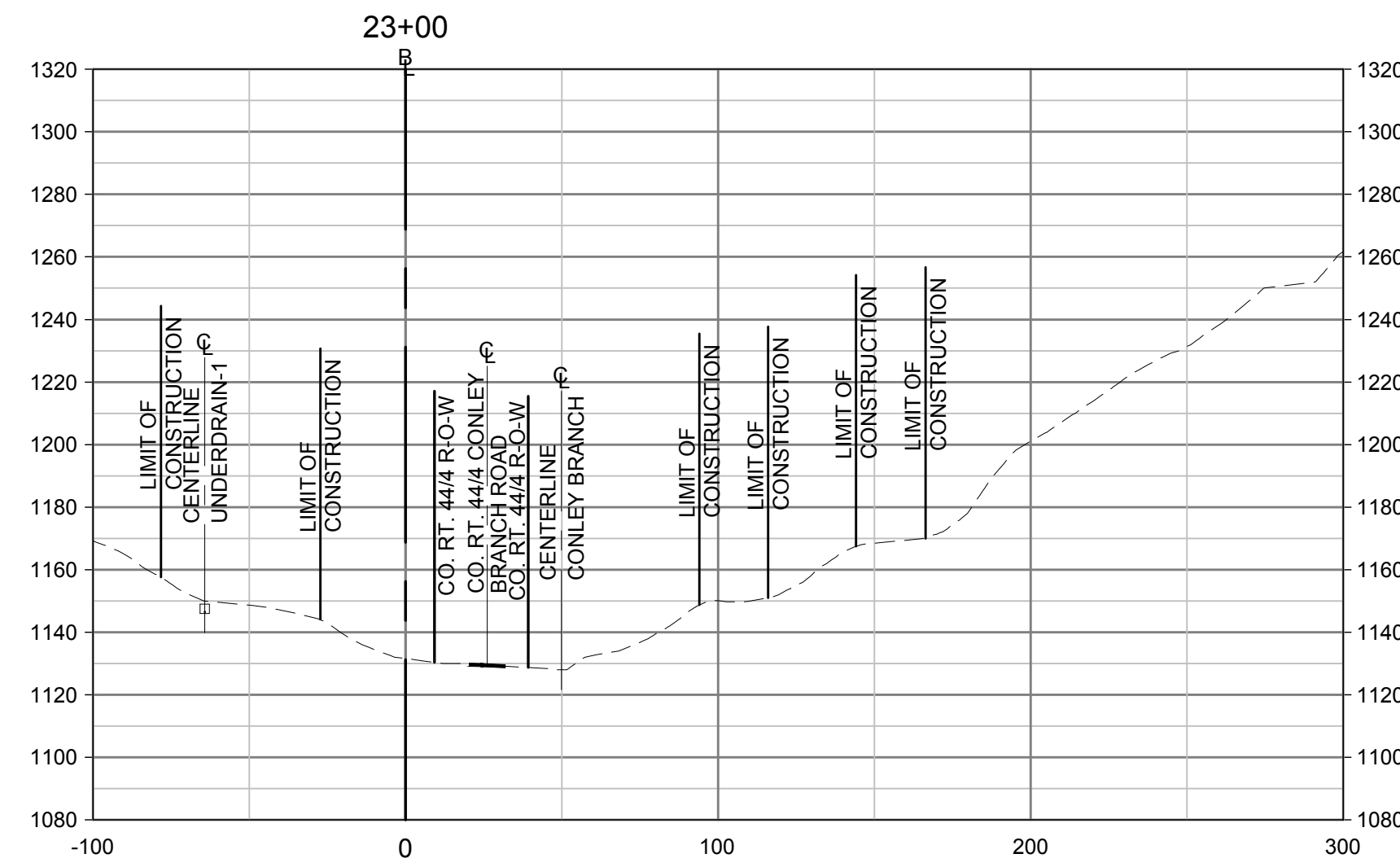
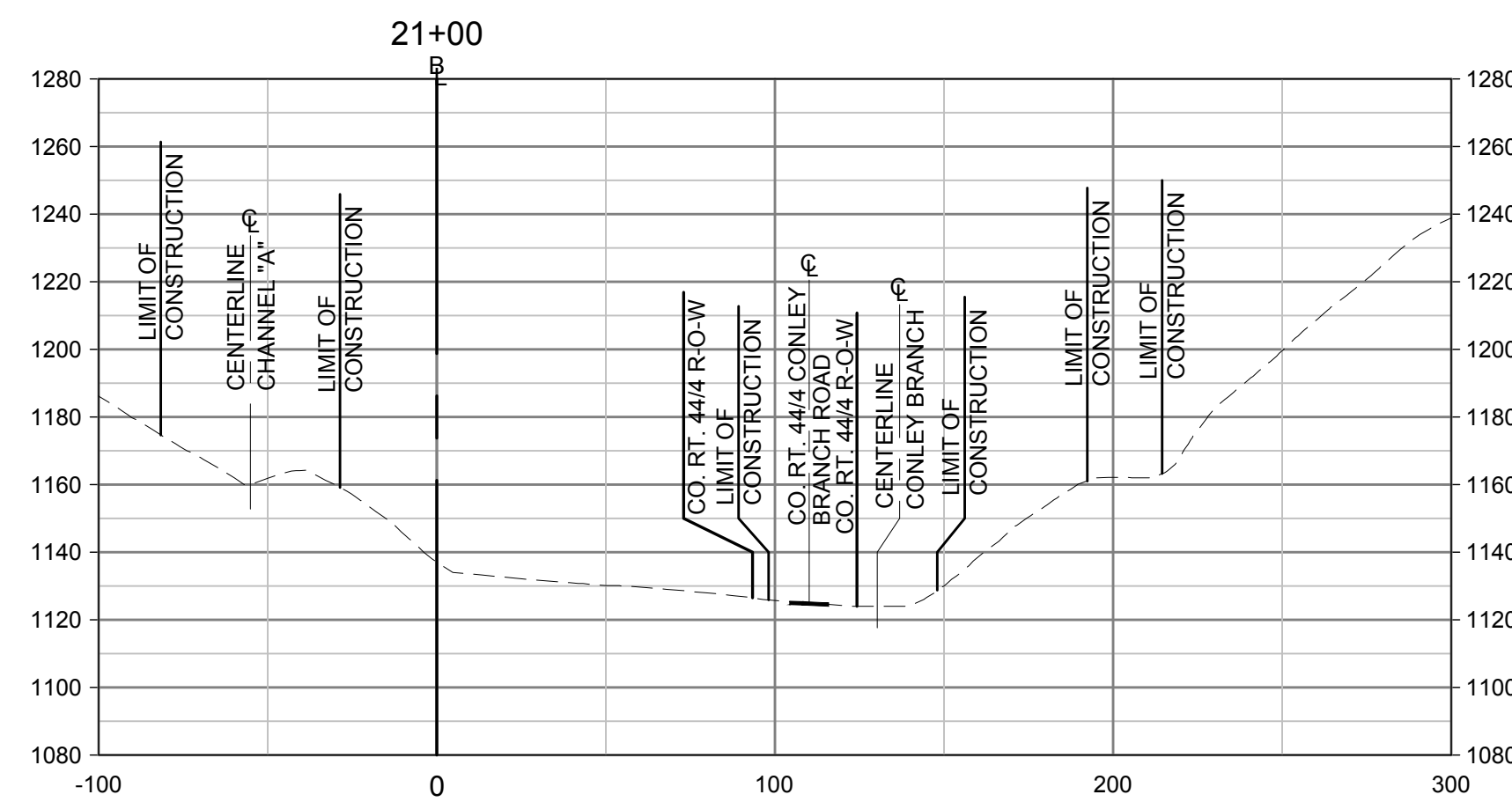
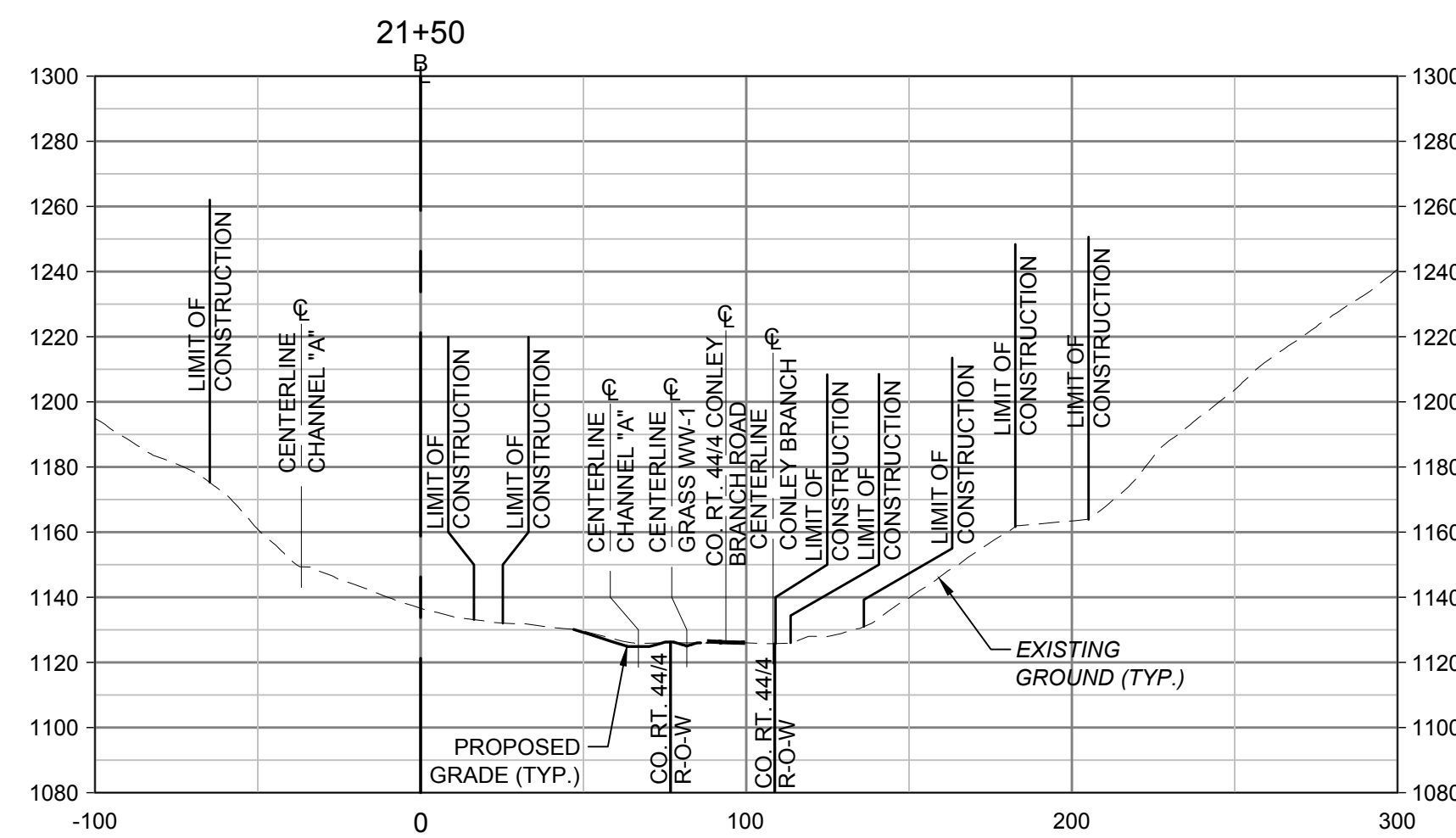
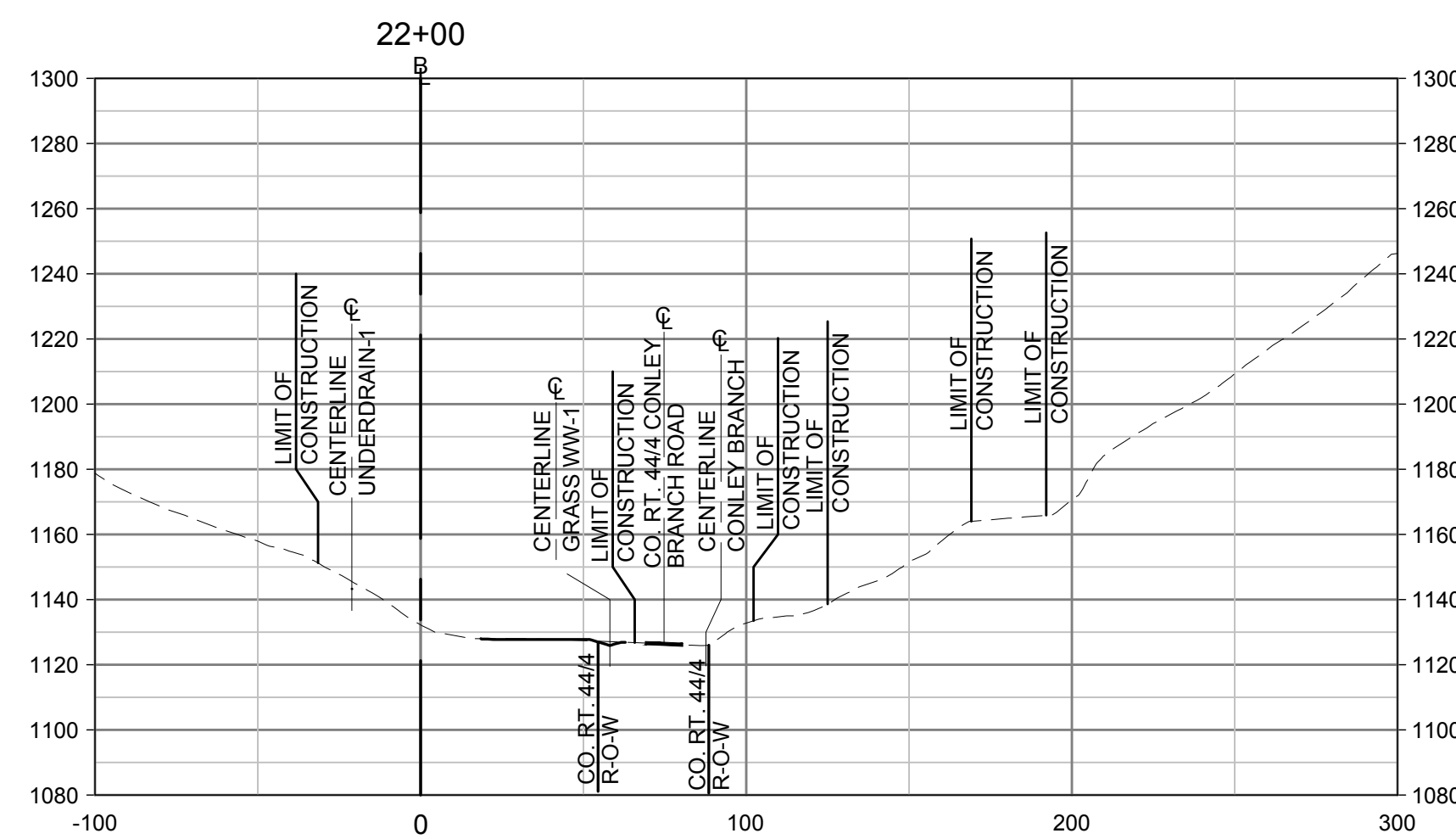
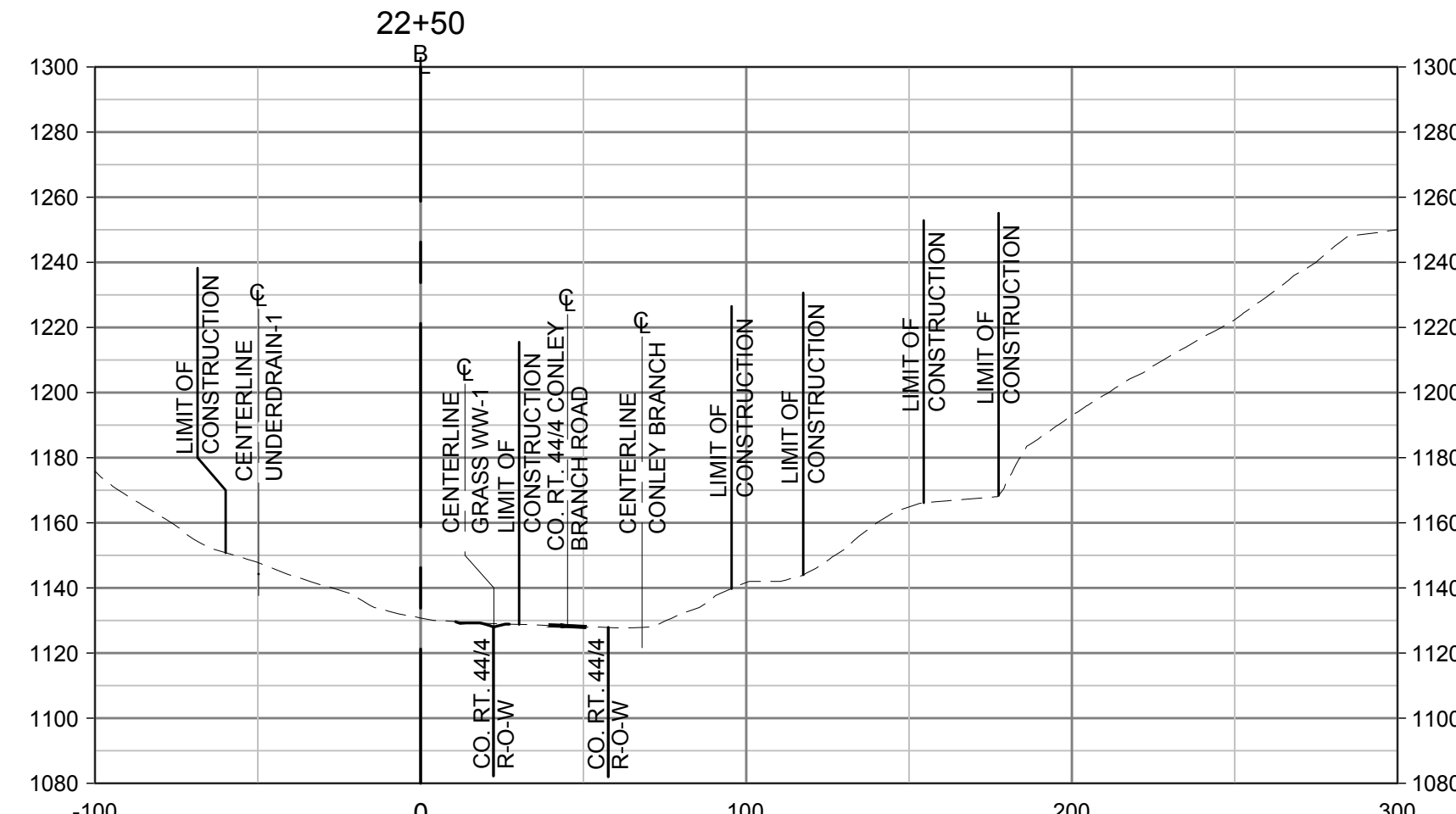
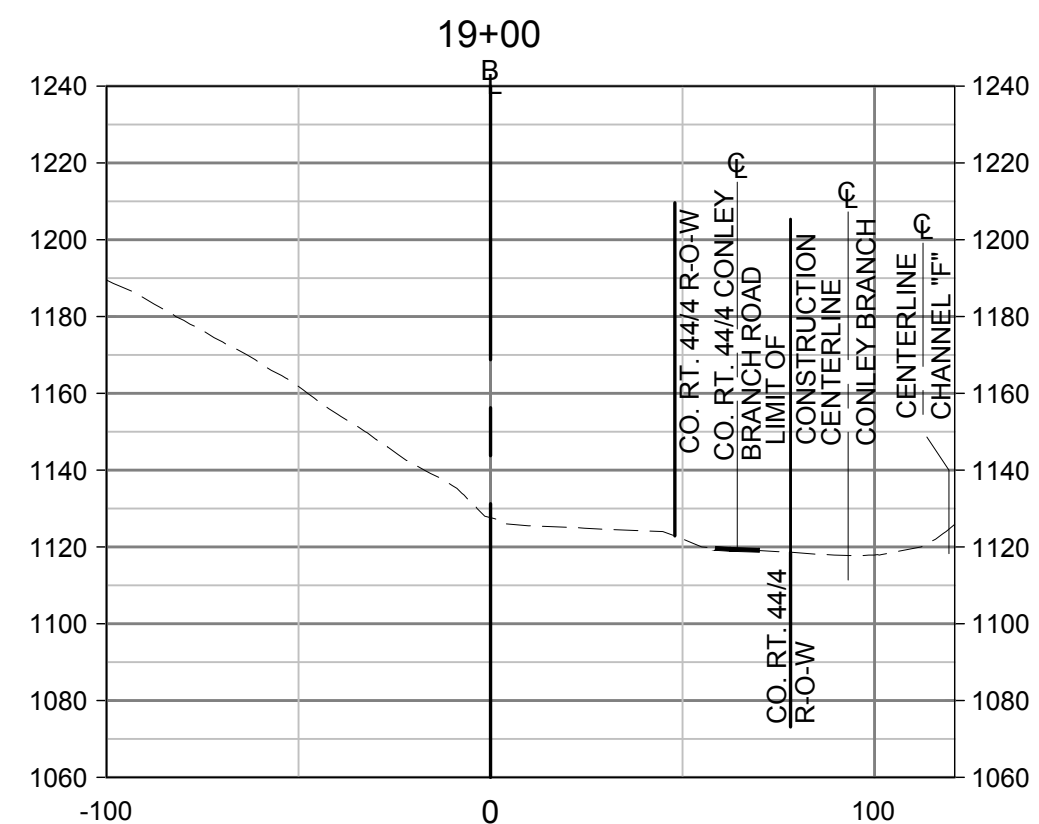
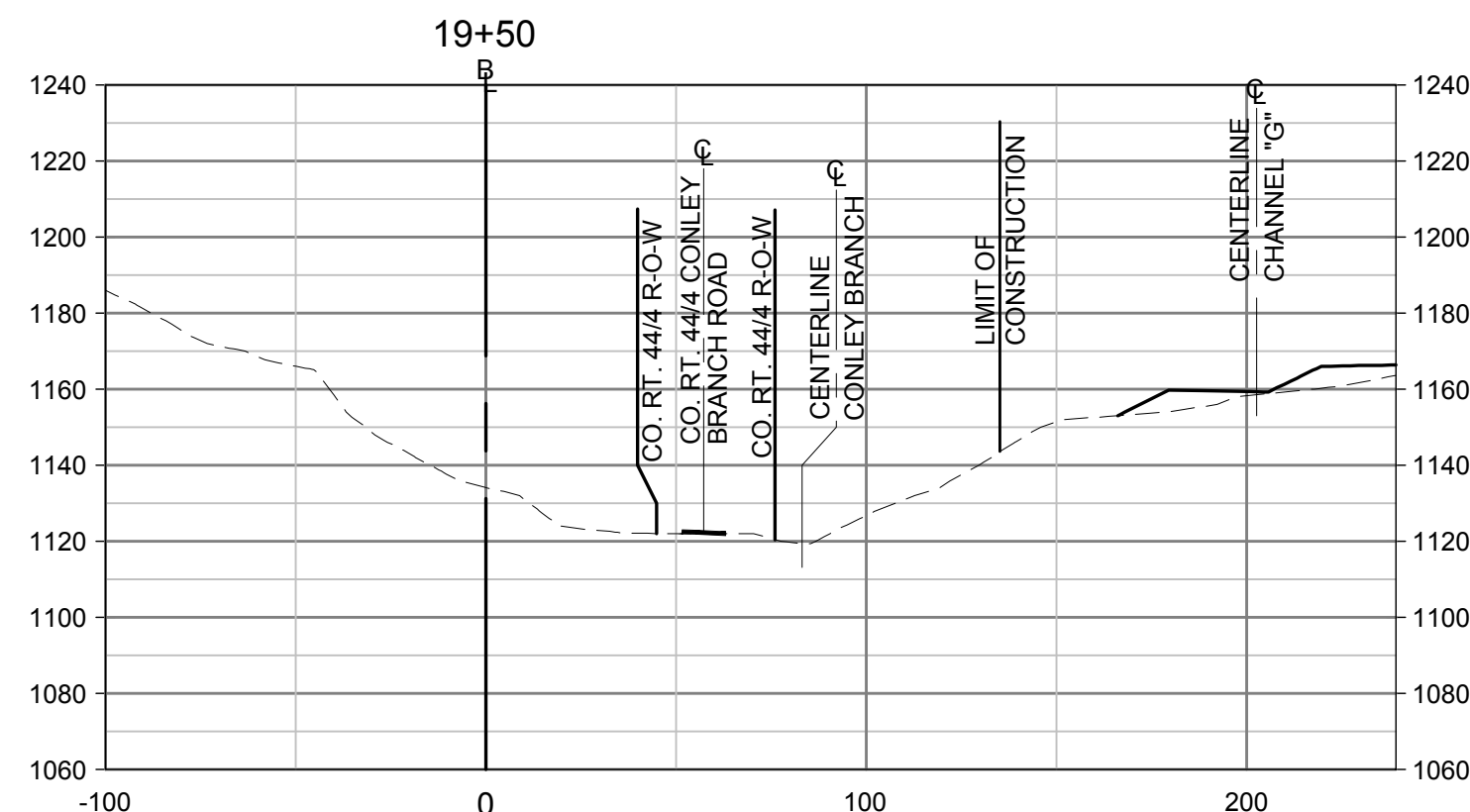
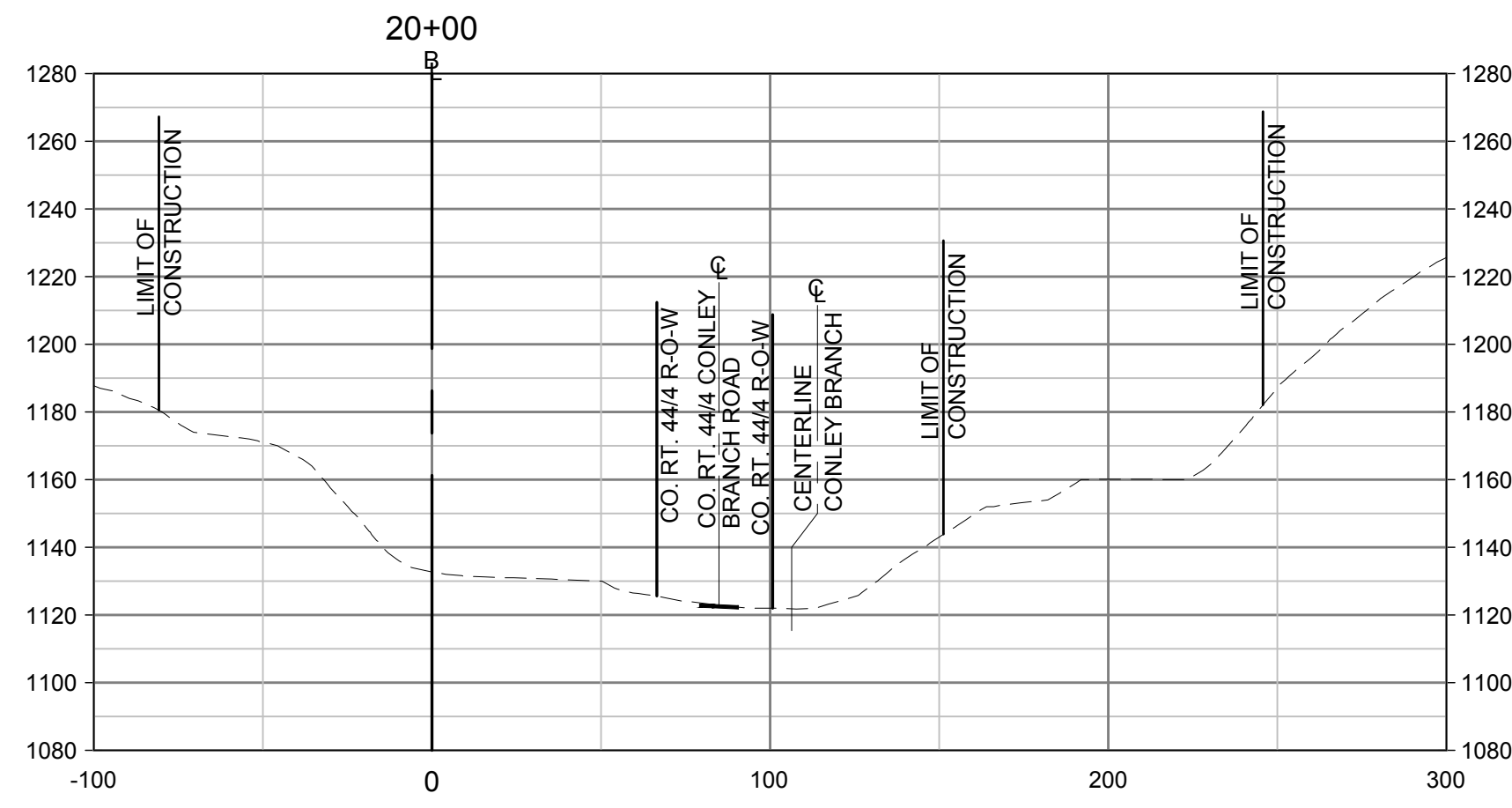
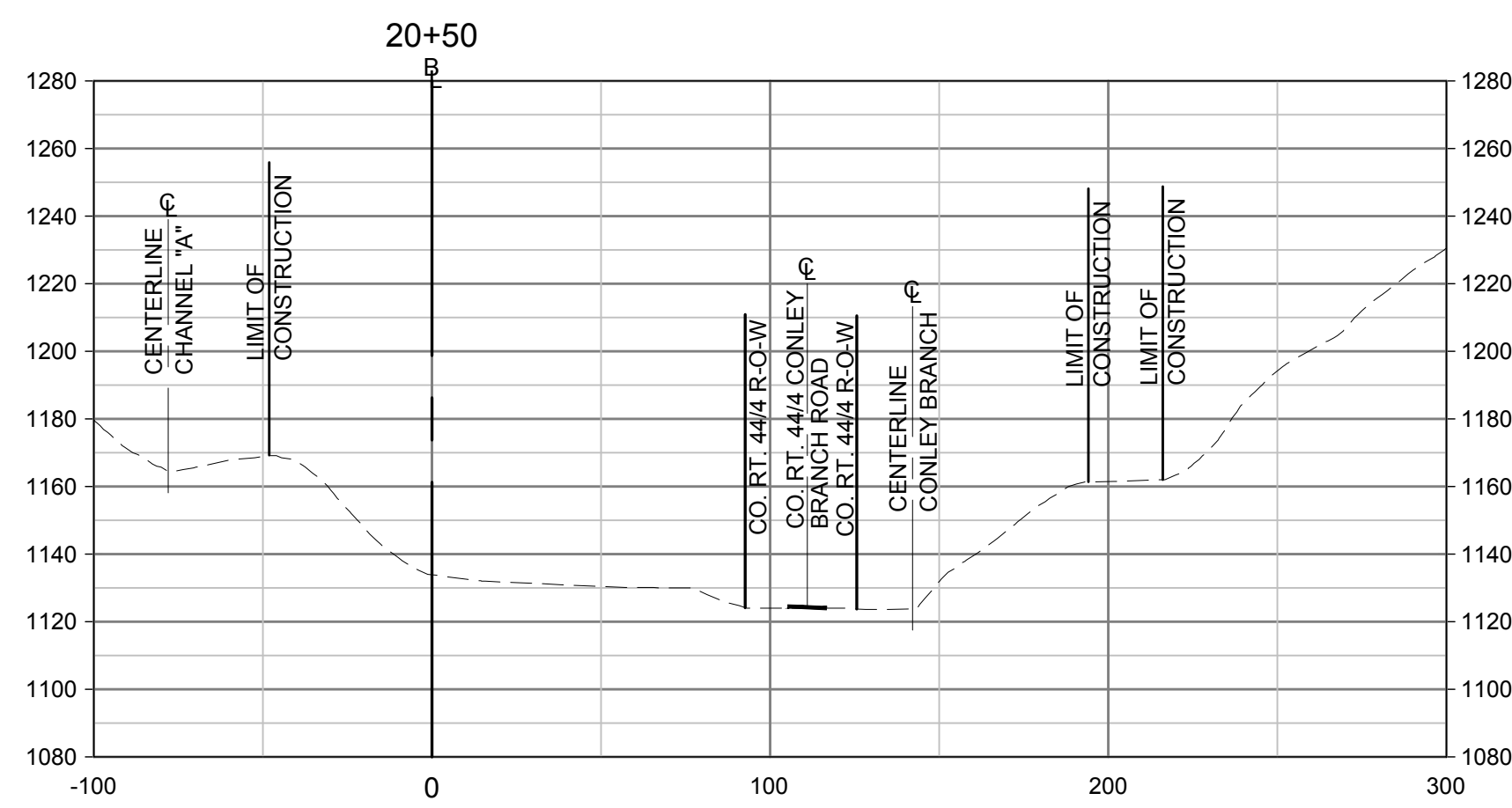
TERRADON
 CORPORATION
 Engineering - Surveying - Landscape Architecture
 P.O. Box 519 25143
 Nitro, Virginia 755-2836
 (304) 755-8291 FAX 755-2836
 www.terradon.com

WEST VIRGINIA DEPARTMENT OF ENVIRONMENTAL PROTECTION
 OFFICE OF ABANDONED MINE LANDS AND RECLAMATION
 BASELINE "A" CROSS SECTIONS
 CONLEY BRANCH (WHITT) LANDSLIDE
 LOGAN COUNTY, WEST VIRGINIA

Project No. 01-5055-001
 Drawn: WLG
 Checked: EMP
 Approved: WJS
 Scale: 1"=50' H & V
 Date: 4-16-2014
 CAD File # *SECTIONS

X3

PLOT DATE : 2/10/2014 8:12 AM FILE SAVED BY :BILLGERENCOR ON 2/10/2014 8:11 AM P:\2013\01-5055-001 CONLEY BRANCH (WHITT) LANDSLIDE\40-TRANS-AML\DWG\PRODUCTION\SP\01-5055-001-SECTIONS.DWG



NO.	DATE	REVISION

TERRADON CORPORATION
 Engineering - Surveying - Landscape Architecture
 P.O. Box 519
 Nitro, West Virginia 25143
 (304) 755-8291 FAX 755-2836
 www.terradon.com

WEST VIRGINIA DEPARTMENT OF ENVIRONMENTAL PROTECTION
 OFFICE OF ABANDONED MINE LANDS AND RECLAMATION
**BASELINE "A" CROSS SECTIONS
 CONLEY BRANCH (WHITT) LANDSLIDE
 LOGAN COUNTY, WEST VIRGINIA**

Project No. 01-5055-001
 Drawn: WLG
 Checked: EMP
 Approved: WJS
 Scale: 1"=50' H & V
 Date: 2-10-2014
 CAD File # *-SECTIONS

X4